

**REFRIGERATOR MANUFACTURER**  
**Turbo air**  
 more durable, efficient, beautiful

4184 E. Conant St.  
 Long Beach, CA 90808  
 Tel. 310-900-1000  
 Fax. 310-900-1077  
[www.turboairinc.com](http://www.turboairinc.com)

Project :	
Model # :	
Item # :	Qty :
Available W/H :	
Approval :	

## Ice Merchandiser

Ice Merchandisers  
 Glass Door Merchandisers

**Model : TGIM-49**

### FEATURES & BENEFITS

#### ■ Digital temperature control & monitor system

- Keep food products safe by maintaining constant temperatures.
- Alarms that sound when doors are not sealed shut; protect against food spoilage that originate from cold air leaks.
- Digital display allows for easy monitoring.
- Programs interpret the condition of refrigeration systems by self-diagnosis.
- Smart fuzzy logic defrost system.
- Automatic evaporator fan motor delays.

#### ■ Ice does not melt even in hot climates

Turbo Air ice merchandisers are based on a freezer system which is adjusted to the ideal temperature range for bagged ice storage, whereas our competitors use refrigerator based systems. It maintains an avg. temperature of 12°F or below and eliminates ice melting problems during hot weather conditions.

#### ■ Triple pane heated glass doors

Equipped with unique triple-pane heated glass doors which enhance energy efficiency by preventing heat transfers and minimizing condensation. Lightweight door construction reduces door maintenance, bushing wear, and facilitates smooth door opening.

#### ■ LED advertising panel

LED lighting offers 5 times longer lasting life than fluorescents and conserves energy as well.

#### ■ Efficient refrigeration system

Turbo Air's freezers are designed with oversized and balanced (CFC Free R-134A or R-404A) refrigeration systems. These include efficient evaporators and condensers for faster freezing and greater efficiency.

#### ■ High-density polyurethane insulation

The entire cabinet structure is foamed-in-place using high density, CFC free polyurethane insulation.

#### ■ LED lighting interior

#### ■ Magnetic door gaskets

Magnetic door gaskets are of one piece construction, removable without tools for ease of cleaning and replacement.

#### ■ Bottom mount compressor units

Turbo Air's bottom mount compressor allows easier access for service and extra storage space above. In addition, the lower area provides a cooler and less greasy operating environment which results in reduced compressor running time.

#### ■ Freezer holds 10°F ~ 15°F for the best in bagged ice storage



Model	Swing Door	# of Rack Shelves	# of Bottom Shelves	CU./FT.	HP	AMPS	Crated Weight (lbs.)	L x D x H (inches)
TGIM-49	2	4	2	46.2	2/3	11.8	665	54 3/8 x 29 3/4 x 78 1/4

## Model : TGIM-49

ELECTRICAL DATA	
Voltage	115/60/1
Plug Type	Ⓢ NEMA 5-15P
Full Load Amperes	11.8
Compressor HP	2/3
Cord Length (ft.)	9.8
Refrigerant	R-404A
DIMENSIONAL DATA	
# of Doors	2
Net Capacity (cu. ft.)	46.2
Ext. Length Overall (in.)	54 <sup>3</sup> / <sub>8</sub> (1382mm)
Ext. Depth Overall (in.)*	29 <sup>3</sup> / <sub>4</sub> (756mm)
Ext. Height Overall (in.)	78 <sup>1</sup> / <sub>4</sub> (1987mm)
Int. Length Overall (in.)	50 <sup>1</sup> / <sub>2</sub> (1283mm)
Int. Depth Overall (in.)	24 <sup>1</sup> / <sub>8</sub> (614mm)
Int. Height Overall (in.)	60 <sup>3</sup> / <sub>8</sub> (1535mm)
# of Rack Shelves	4
# of Bottom Shelves	2
Net Weight (lbs.)	505
Gross Weight (lbs.)	665

Design and specifications subject to change without notice.  
Actual shipping weight may differ due to extra packing materials for product protection.  
\* Depth does not include 1-3/8" for glass door handles.

■ **WARRANTY : 2 Year Parts and Labor Warranty**  
**Additional 3 Year Warranty on Compressor**

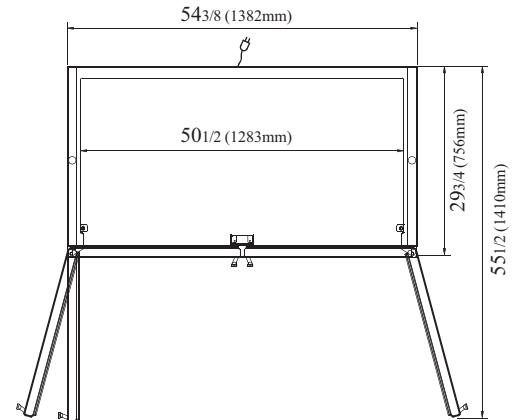
■ **4" dia. swivel casters available (optional)**

■ **OPTIONAL ACCESSORIES :**

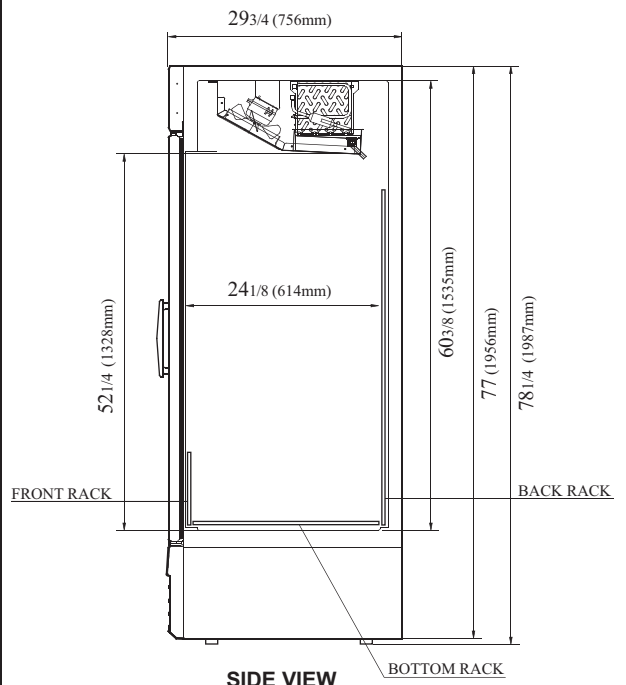
- 4" caster, 1/2" diameter & 13 TPI: G8F6500101 (non-brake), G8F6500201 (w/ brake)

## PLAN VIEW

(unit : inch)



FRONT VIEW



SIDE VIEW

Ver.201705



- Turbo Air : 800-627-0032
- GK : 800-500-3519
- Warranty : 800-381-7770
- AC : 888-900-1002