

Project Name: \_\_\_\_\_ AIA#: \_\_\_\_\_

Model #: \_\_\_\_\_ Location: \_\_\_\_\_

SIS#: \_\_\_\_\_ Item #: \_\_\_\_\_ Quantity: \_\_\_\_\_



# Premium Heavy-Duty Automatic Slicers

## Precise - Powerful - Premium Construction

The all-new, heavy-duty S-Series line of premium slicers from Globe delivers **precision, performance, industry-leading convenience, superior cleanability and lasting value.**



SG13A



REVIT



AutoQuotes

### Models

- S13A (Standard)
- SG13A (Advanced)

### S13A Standard Features

- Patent pending anodized aluminum design & construction for quick and easy cleaning
- Patent pending indexing system enables accurate and precise slice thickness adjustment up to 1-1/8"
- 13" German steel knife with hardened edge provides quality slices and higher yield
- Tilting carriage accommodates up to 13.75" h, 8" dia., 11" w large products, like prosciutto, mortadella and bacon
- 50°, 13" tall gravity feed carriage improves productivity
- Advanced meat grip design for superior product hold
- 1/2 HP continuous use knife motor combined with the high efficiency knife drive system delivers optimum power
- No voltage release prevents inadvertent reactivation of slicer in the event of interlock or power interruption
- Interlock prevents slicer from operating without the knife cover in place
- Variable speed brushless auto mode motor delivers 3ft. lbs. of peak torque
- Patent pending auto engagement system ensures no slippage
- Lift lever to facilitate ease of cleaning
- Top mounted, removable sharpening system utilizes long-lasting synthetic diamond surfaces and enables quick and easy sharpening and cleaning
- Patent pending graphic user interface with Clear Text LCD display provides operator messages, diagnostics and system information
- Return to Home feature returns carriage to home position when powering off motor
- 2 cut lengths and 2 speeds

### SG13A Advanced Model Features

- Home Start – carriage must be in home position to start slicer
- Carriage tilt interlock – prevents knife exposure when carriage is tilted and prevents slicer from operating
- Return to Home feature returns carriage to home position when powering off motor
- Adjustable timer – shuts off slicer after inactivity
- Close to Stop – closing slicer table shuts off slicer
- 3 cut lengths and 4 speeds

### Warranty

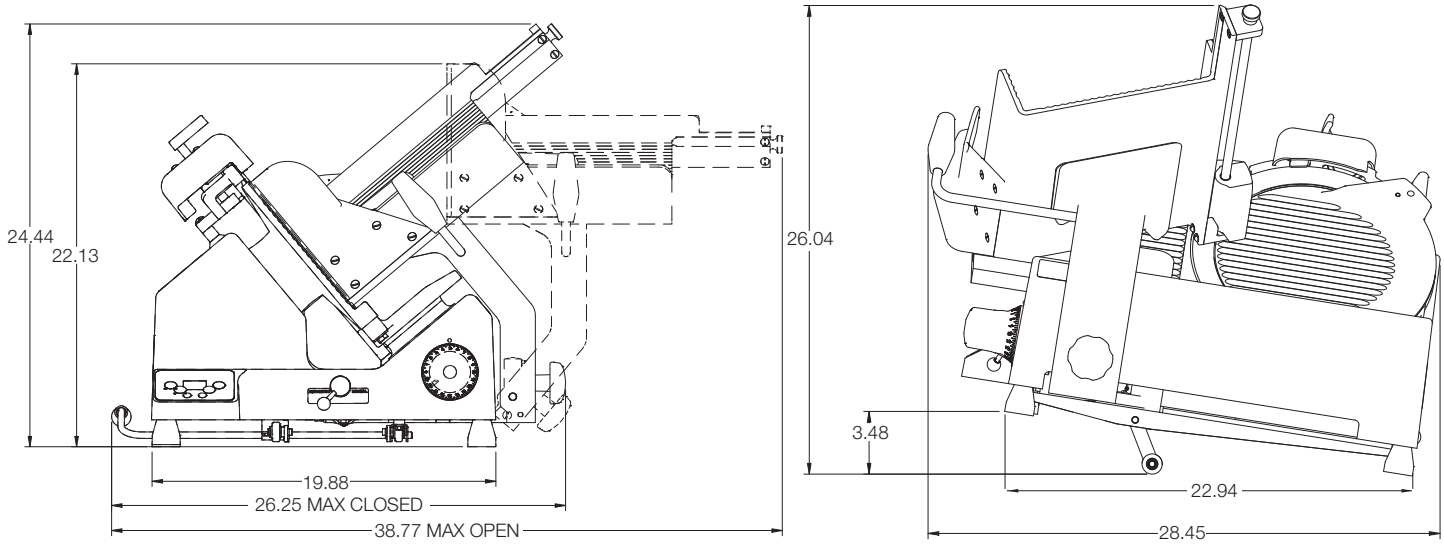
- Two year parts and labor

### Optional Accessories

- Food Fence
- Vegetable Hopper
- Slicer Cover
- Slaw Tray

To select factory installed options and accessories see back

Approved by: \_\_\_\_\_ Date: \_\_\_\_\_



UNIT: Inches

Drawings available through KCL. [www.kclcad.com](http://www.kclcad.com)

**SPECIFICATIONS**

Model	Motor	Volts	Amps	NEMA Plug Type	Drive Type	Slicing Vol. / Day	Cheese Slicing	Blade Diameter	Max Slice	Product Cutting Capacity		
										D (Diameter)	H (Height)	W (Width)
S13A	1/2 HP	115-60-1	2.5	5-15	Belt	All Day		13" (33.02 cm)	1-1/8" (2.857 cm)	8" (20.32 cm)	13.75" (35 cm)	11" (27.94 cm)
S13A-05	1/2HP	220-60-1	1.5	6-15P	Belt	All Day		13" (33.02 cm)	1-1/8" (2.857cm)	8" (20.32 cm)	13.75" (35 cm)	11" (27.94 cm)
S13A-07	1/2HP	220-50-1	1.5	CEE7/7	Belt	All Day		13" (33.02 cm)	1-1/8" (2.857cm)	8" (20.32 cm)	13.75" (35 cm)	11" (27.94 cm)
SG13A	1/2 HP	115-60-1	2.5	5-15	Belt	All Day		13" (33.02 cm)	1-1/8" (2.857 cm)	8" (20.32 cm)	13.75" (35 cm)	11" (27.94 cm)
SG13A-05	1/2HP	220-60-1	1.5	6-15P	Belt	All Day		13" (33.02 cm)	1-1/8" (2.857cm)	8" (20.32 cm)	13.75" (35 cm)	11" (27.94 cm)
SG13A-07	1/2HP	220-50-1	1.5	CEE7/7	Belt	All Day		13" (33.02 cm)	1-1/8" (2.857cm)	8" (20.32 cm)	13.75" (35 cm)	11" (27.94 cm)

**Cord & Plug:** Attached 7 ft. flexible 3-wire cord with molded plug fits a grounded receptacle. **Please specify desired plug configuration when ordering.**

**DIMENSIONS | SHIPPING INFORMATION**

Reinforced carton for shipping. The weight and dimensions of this reinforced carton are included below and may vary from shipment to shipment.

**Shipped on a pallet. Freight class 77.5.**

Model	Max Overall Dimensions	Net Weight	Shipping Dimensions	Shipping Weight
S13A SG13A	38.7" W x 26.7" D x 20.9" H (98.5 cm x 68 cm x 53.1 cm)	127 lbs. (57.61 kg)	31.5" W x 31.5" D x 31.5" H (80 cm x 80 cm x 80 cm)	148 lbs. (67.13 kg)

**OPTIONAL ACCESSORIES:**

- Food fence
- SC Large - Slicer Cover
- Vegetable Hopper
- Slaw Tray

**S13A:** Slicer to be constructed of anodized aluminum with built-in Clear-Text display/control panel. Slicer to have 1/2 HP motor with overload protection and 13" hardened German steel knife. Slicer to come with patent-pending indexing system with slice thickness adjustment up to 1-1/8". Top mounted removable sharpener with synthetic diamond stone and plate. Tilting carriage accommodates up to 13.75" h, 8" dia., 11" w large products. Slicer to have adjustable cut length and speed. Slicer is ETL listed. Slicer to have no voltage release and knife cover interlock. Two year parts and labor warranty. **SG13A:** Additional features to include Home Start, Adjustable Timer, Close to Stop, Carriage Tilt Interlock and Clear-Text Display with Services and Operation/Diagnostics.