



Spidertrax HD T-Case Arms

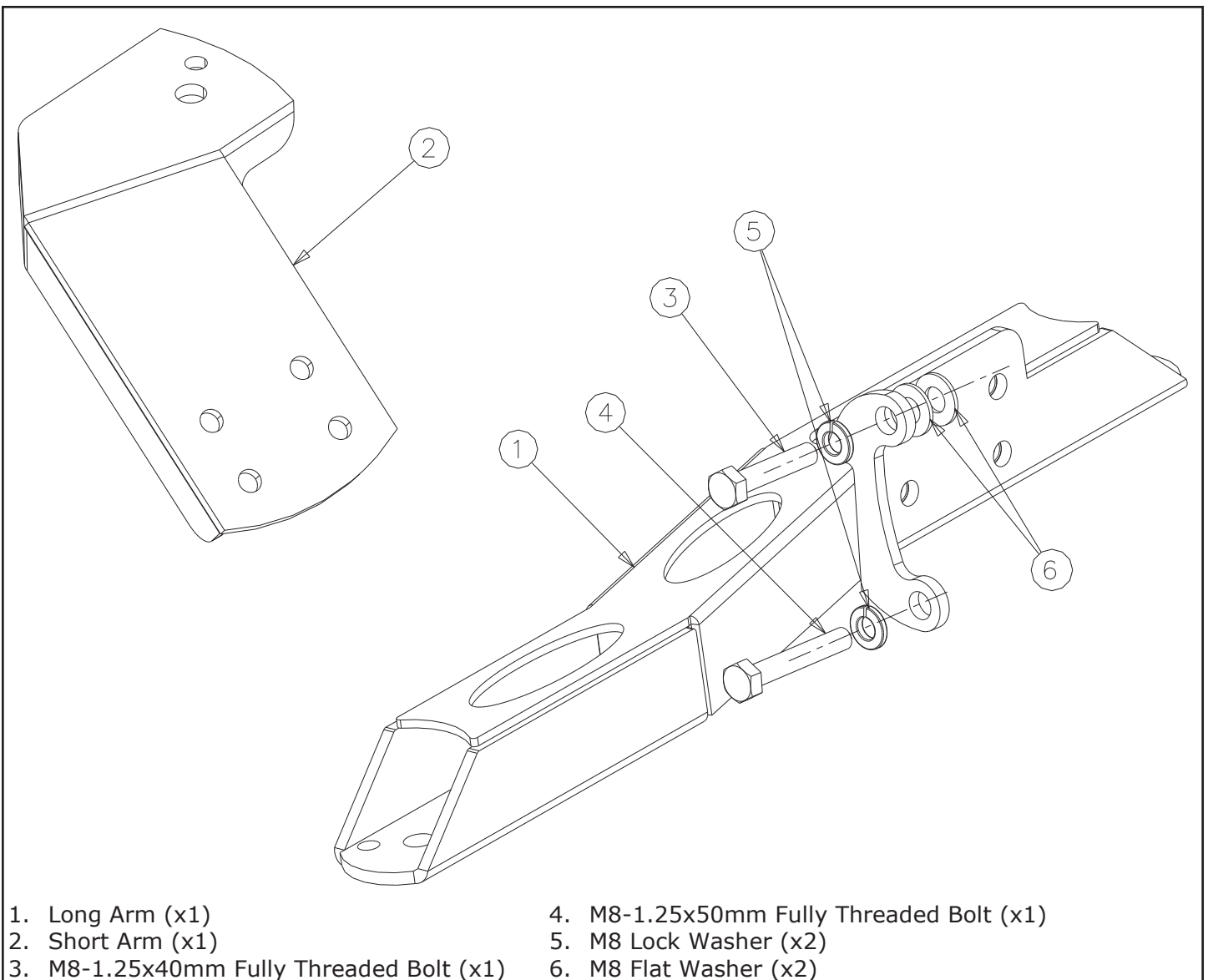
GENERAL DESCRIPTION

The Spidertrax HD T-Case Arms are designed to replace the Suzuki Samurai OEM t-case arms. This product comes complete with two custom manufactured t-case arms, 2 extended hex bolts and washers.

To install the Spidertrax HD T-Case Arms, refer to the figure below and follow these steps:

- 1) Remove t-case from vehicle as per OEM Suzuki Service Manual procedures.
- 2) With t-case removed, disassemble OEM t-case arms from t-case. Install the Spidertrax HD T-Case Arms before reinstalling t-case. Follow diagram below for installation procedure. Two bolts securing center case and rear case will be removed and replaced with two longer bolts tightened to 9.5-16.5 lb -ft [13-23 N*m]. This is done to accommodate new tab on longer arm. The Spidertrax HD T-Case Arms work with both stock rubber mounts and the Spidertrax Polymount Kit.
- 3) Reinstall t-case as per OEM Suzuki Service Manual procedures.

Fig. 1





Disclaimers & Warranty

WARNING

INSTALLATION OF ANY COMPONENT OR SYSTEM SHOULD ONLY BE PERFORMED BY THOSE EXPERIENCED IN AUTOMOTIVE MECHANICS AND PROCEDURES.

Spidertrax warrants to the purchaser that for the Warranty Period (as defined below), this product will be free from material defects in materials and workmanship. The foregoing warranty is subject to the proper installation, operation and maintenance of this product in accordance with installation instructions supplied to end customer. Warranty claims must be made by purchaser in writing within 30 days of the manifestation of a problem. Spidertrax's sole obligation under the foregoing warranty is, at Spidertrax's option, to repair, replace or correct any such defect that was present at the time of delivery.

The "Warranty Period" begins on the date the product is delivered to purchaser and continues for 1 year (365 days). Purchasers recognize and understand that four wheeling parts and equipment manufactured by Spidertrax Inc. are subject to varied conditions in the manner in which they are used. Therefore, excluded from the warranty are problems due to accidents, misuse, misapplication, storage damage, negligence, or modification to the product or its components.

FOR OFF-ROAD USE ONLY

DRIVE THE VEHICLE UNDER CONTROLLED CONDITIONS TO ENSURE PROPER INSTALLATION OF COMPONENTS. GRADUALLY WORK UP TO FOUR WHEELING SPEEDS.

WWW.SPIDERTRAX.COM



Product Instructions Part #: TCM-001

WWW.SPIDERTRAX.COM