



T&S BRASS AND BRONZE WORKS, INC.
 2 Saddleback Cove / P.O. Box 1088
 Travelers Rest, SC 29690

Model No.
068X

Item No.

Travelers Rest, SC: 800-476-4103 • Simi Valley, CA: 800-423-0150 • Fax: 864-834-3518 • www.tsbrass.com

This Space for Architect/Engineer Approval

Job Name _____ Date _____

Model Specified _____ Quantity _____

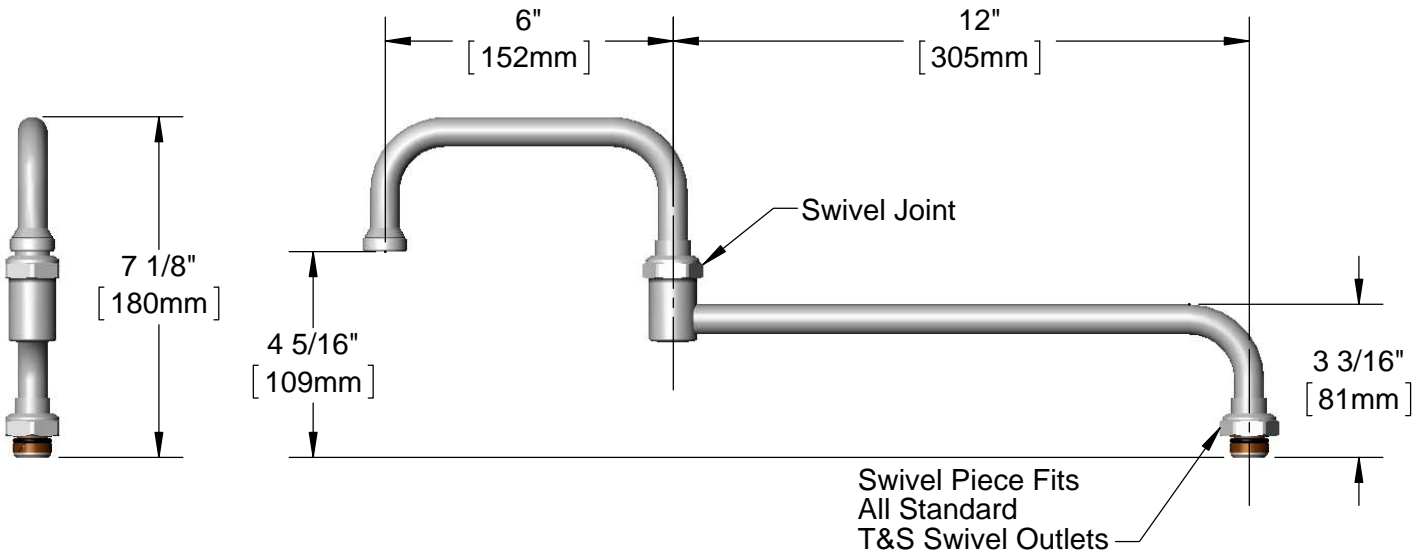
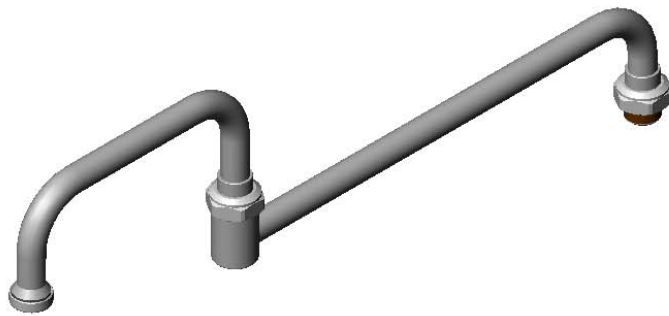
Customer/Wholesaler _____

Contractor _____

Architect/Engineer _____



B-PT
Stream
Regulator Outlet



Product Specifications:
 18" Double Joint Swing Nozzle (12" Back Section &
 6" Front Section w/ Stream Regulator Outlet)

Product Compliance:
 ASME A112.18.1 / CSA B125.1
 NSF 61 - Section 9
 NSF 372 (Low Lead Content)



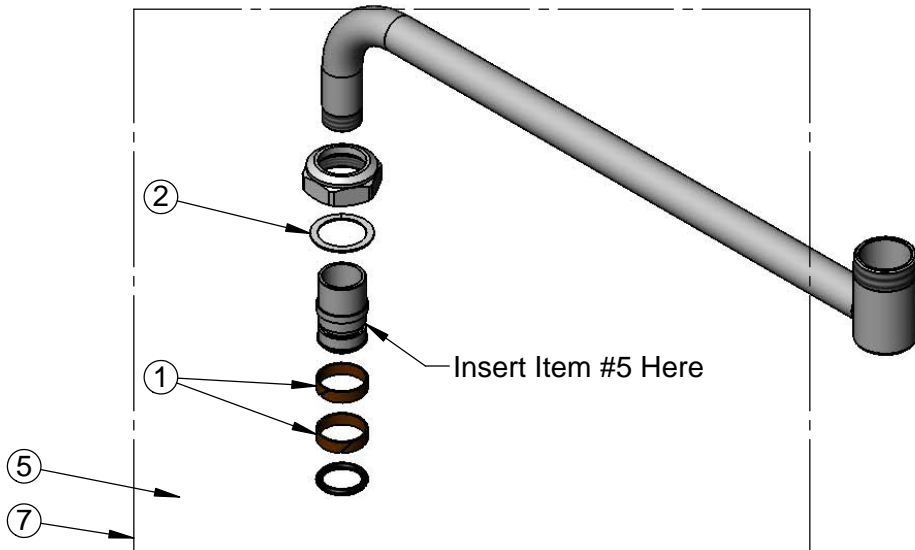
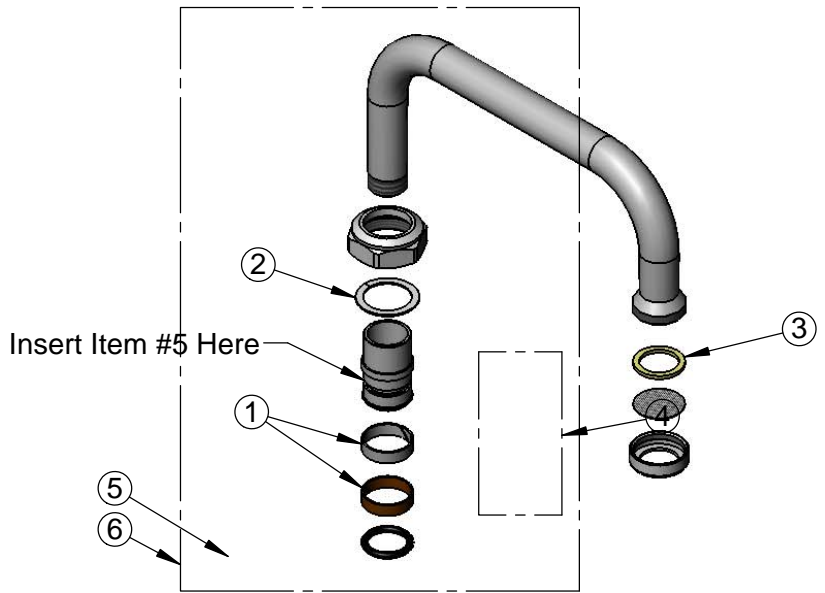
T&S BRASS AND BRONZE WORKS, INC.
 2 Saddleback Cove / P.O. Box 1088
 Travelers Rest, SC 29690

Model No.
068X

Item No.

Travelers Rest, SC: 800-476-4103 • Simi Valley, CA: 800-423-0150 • Fax: 864-834-3518 • www.tsbrass.com

ITEM NO.	SALES NO.	DESCRIPTION
1	011429-45	Swivel Sleeves (2)
2	009538-45	Swivel Washer
3	001048-45	Nozzle Tip Washer
4	B-PT	Stream Regulator Outlet
5	001074-45	O-Ring
6	153X	Double Joint Swing Nozzle 6" Front Section w/ Stream Regulator Outlet
7	002871-40	Double Joint Swing Nozzle 12" Back Section



Product Specifications:
 18" Double Joint Swing Nozzle (12" Back Section & 6" Front Section w/ Stream Regulator Outlet)

Product Compliance:
 ASME A112.18.1 / CSA B125.1
 NSF 61 - Section 9
 NSF 372 (Low Lead Content)