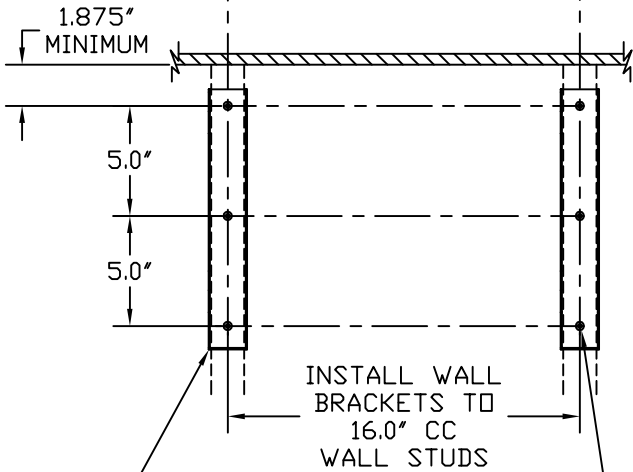


# 6000S / 8000S EVAPORATOR MOUNTING DETAIL

## STEP #1

WHEN INSTALLING UNIT, USE CENTER LOCATING STICKERS ON TOP OF UNIT TO ALIGN WITH WALL BRACKET CENTERLINES



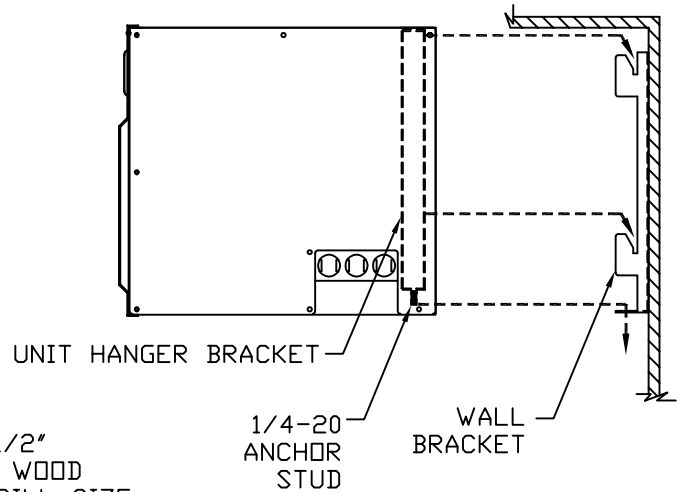
INSTALL WALL BRACKETS TO 16.0" CC WALL STUDS

INSTALL (2) WALL BRACKETS AS SHOWN, LEVEL AND SQUARE TO  $\pm 1/32"$

(6) #10x1-1/2" PHIL HEAD WOOD SCREWS. DRILL SIZE: HARDWOOD: 7/64" DIA SOFTWOOD: 3/32" DIA

## STEP #2

SLIDE UNIT OVER WALL MOUNTING BRACKETS, ALIGNING SQUARE CUTOUT IN UNIT HANGERS WITH WALL BRACKET TABS. ONCE POSITIONED, ALLOW THE UNIT TO DROP INTO PLACE ON THE WALL BRACKETS, WITH ANCHOR SCREWS PASSING THROUGH THE WALL BRACKET BOTTOM HOLES.



## STEP #3

AFTER UNIT IS HUNG ON WALL BRACKETS, ANCHOR WITH (2) 1/4-20 WASHER HEAD HEX NUTS TO UNIT BRACKET MOUNTING STUDS THROUGH BOTTOM ACCESS HOLES.

ONCE ANCHOR NUTS ARE SECURED, PLUG HOLES WITH 1" HOLE PLUGS.

