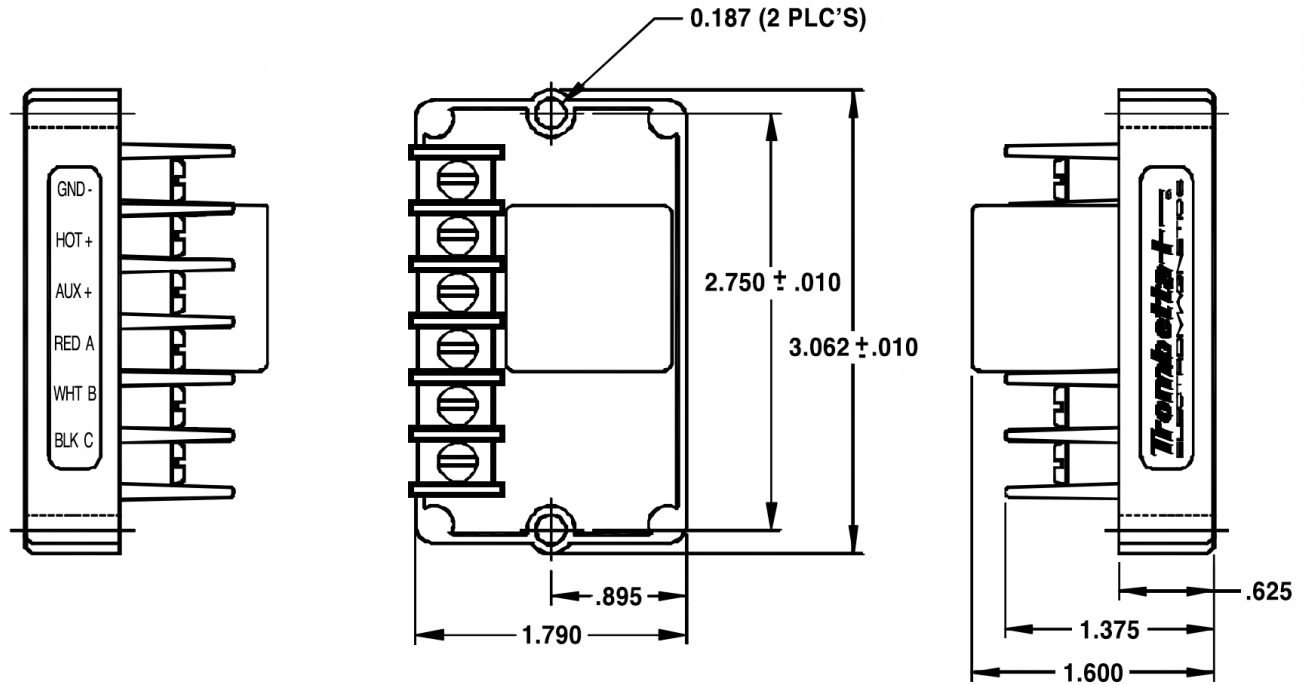


S500-A6 Dimensions & Wiring Diagrams



Dimensions:
(inches)



Wiring Diagrams:



Figure 1

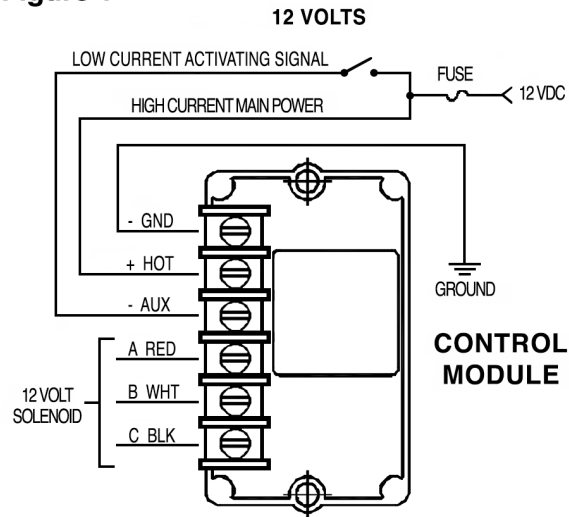


Figure 2

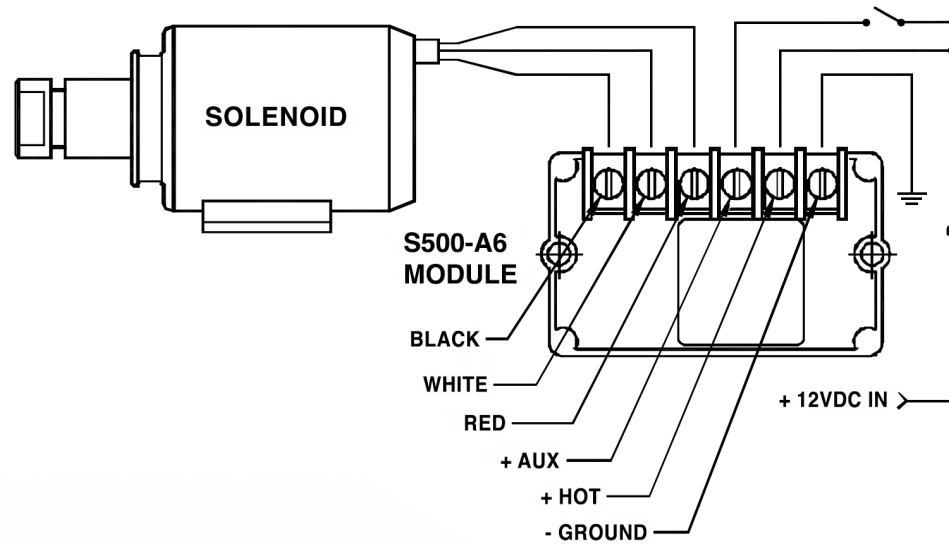


Figure 3

