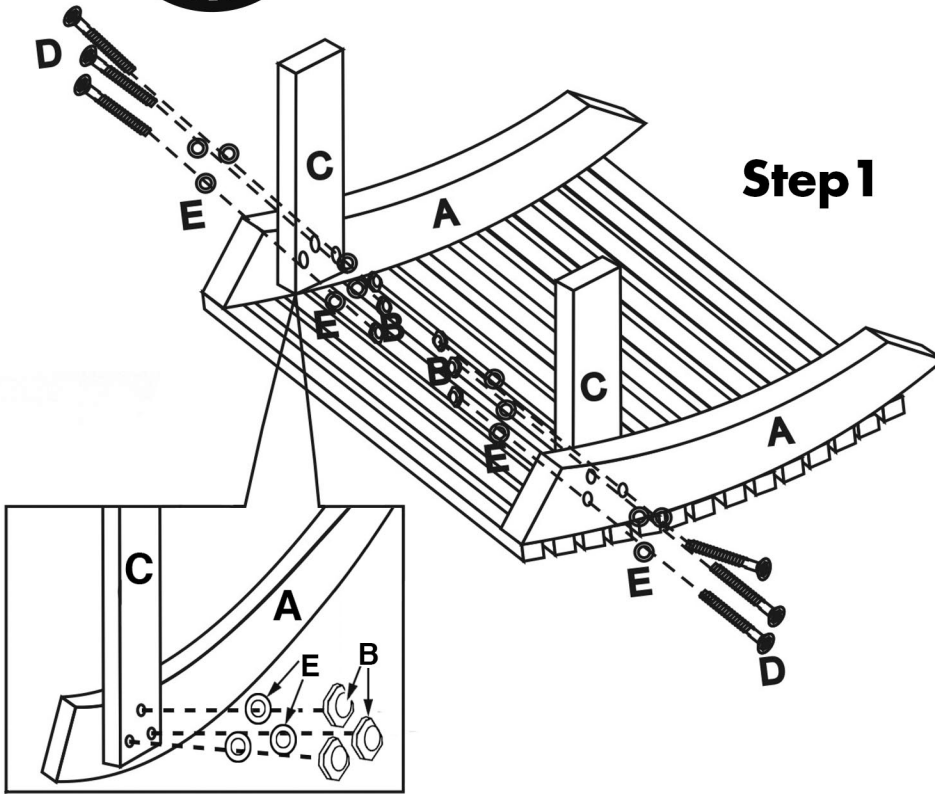


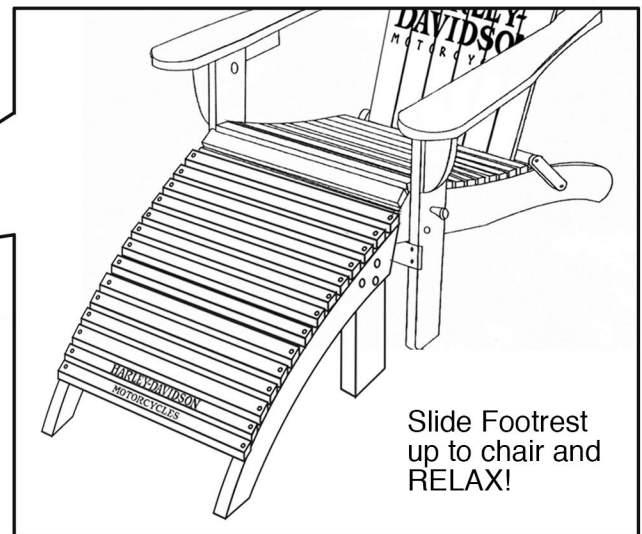
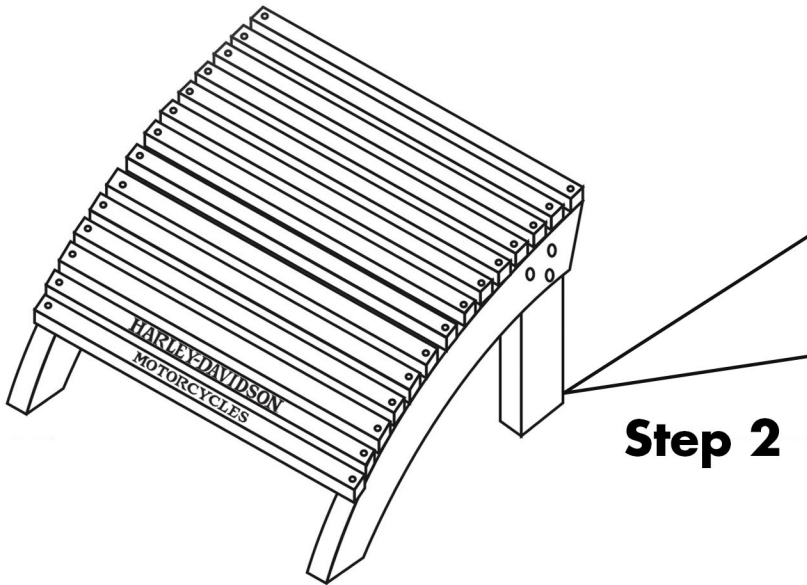


# H-D® SKULL ADIRONDACK FOOTREST Assembly Instructions

## Parts List



	Sketch	Qty.
A		1
B		6
C		2
D		6
E		12



**Note:** Store footrest in a dry location to maximize product life

### Warranty:

Free replacement of any parts that fails within 90 days from date of purchase, excluding shipping costs. Void if damaged by misuse, accidents, alterations, failure o follow instructions, fire, flood and acts of God.

If you have any questions or comments, please contact us at: [BrandedProducts.com](http://BrandedProducts.com)

