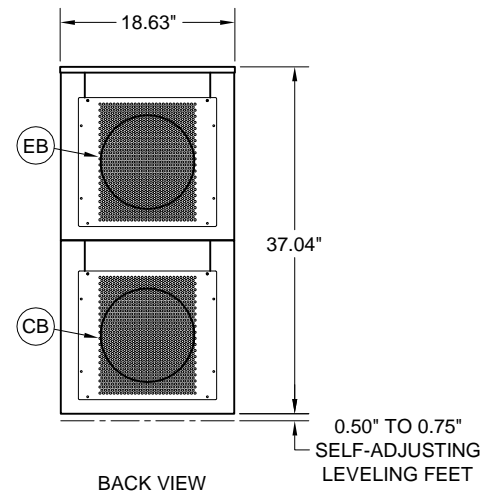
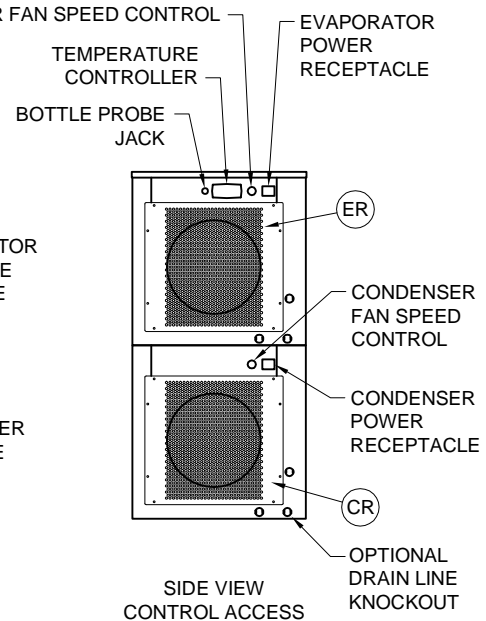
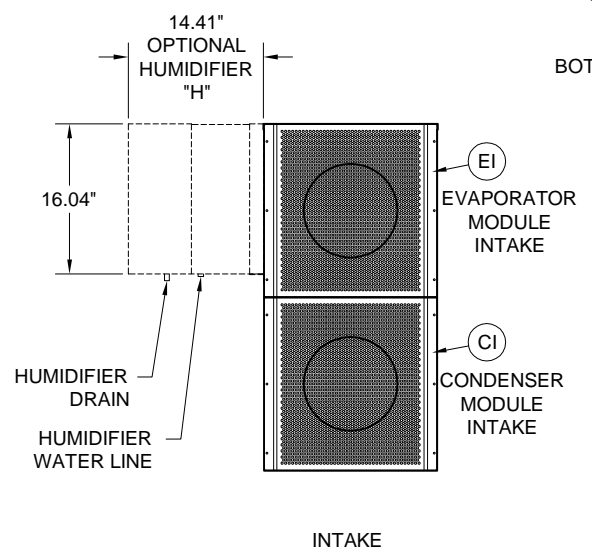
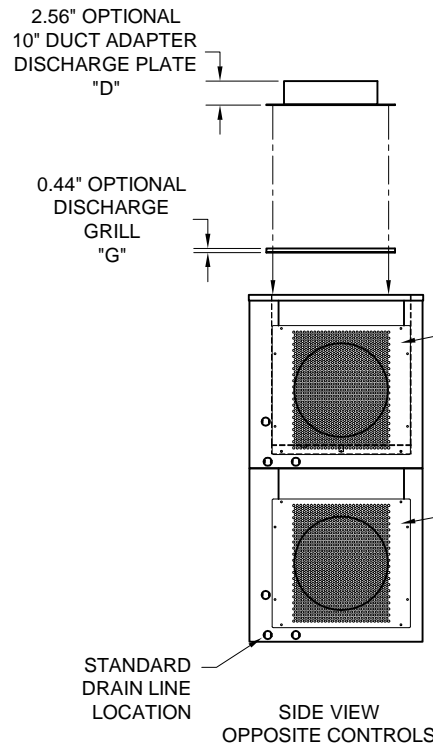
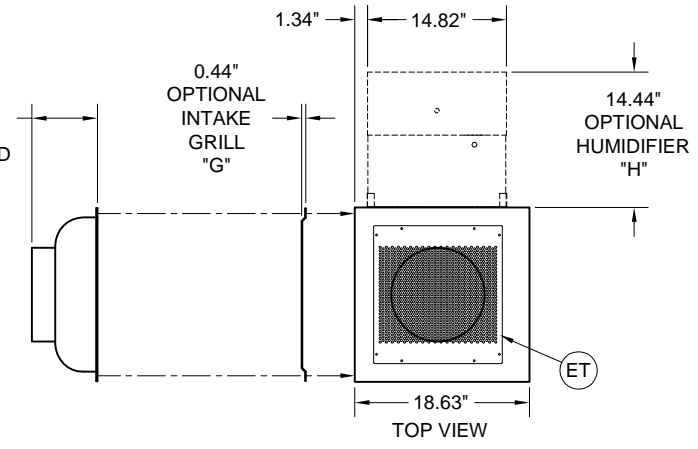


| MODULE LOCATION CODE | | DESCRIPTION |
|----------------------|---|--|
| X | Y | |
| (XY) | | |
| E | | EVAPORATOR MODULE |
| C | | CONDENSER MODULE |
| I | | AIR INTAKE |
| R | | RIGHT AIR DISCHARGE (FACING MODULE AIR INTAKE) |
| L | | LEFT AIR DISCHARGE (FACING MODULE AIR INTAKE) |
| B | | BACK AIR DISCHARGE |
| T | | TOP AIR DISCHARGE |

| EVAPORATOR MODULE | | | | | CONDENSER MODULE INDOORS | | | | | CONDENSER MODULE OUTDOORS | | | | |
|-------------------|---------|------------|---------|---------|--------------------------|---------|---------|---------|----|---------------------------|-----|-----|-----|-----|
| EI | ER | EL | EB | ET | CI | CR | CL | CB | CT | CI | CR | CL | CB | CT |
| G, I | G, D, P | G, D, P, H | G, D, P | G, D, P | G, I | G, D, P | G, D, P | G, D, P | X | N/A | N/A | N/A | N/A | N/A |

| AIR PANEL OPTION CODE | DESCRIPTION |
|-----------------------|--------------------------------------|
| G | GRILL |
| P | COVER PLATE |
| D | 10" DIA DUCT ADAPTER DISCHARGE PLATE |
| I | 10" DIA DUCT ADAPTER INTAKE HOOD |
| L | OUTDOOR LOUVER |
| H | HUMIDIFIER |
| X | POSITION NOT AVAILABLE |
| N/A | NOT AVAILABLE IN THIS CONFIGURATION |

| MODULE NOTES | DESCRIPTION |
|--------------|---|
| ER | MODULE LOCATION HAS SYSTEM TEMPERATURE CONTROLLER, MODULE CONTROLS, AND MODULE POWER CONNECTION |
| CL INDOOR | INDOOR APPLICATIONS - MODULE LOCATION HAS MODULE CONTROLS AND POWER CONNECTION |
| CL OUTDOOR | OUTDOOR APPLICATIONS - MODULE LOCATION HAS POWER CONNECTION |
| CB OUTDOOR | OUTDOOR APPLICATIONS - MODULE LOCATION HAS INTERNAL MODULE CONTROLS |



AH6500 / AH8500
VERTICAL CONFIGURATION