



4184 E. Conant st.
 Long Beach, CA 90808
 Tel. 800-500-3519
 Fax. 310-900-1066
www.turboairinc.com

| | |
|-----------------|-------|
| Project : | |
| Model # : | |
| Item # : | Qty : |
| Available W/H : | |
| Approval : | |

Heavy Duty Slicer - Manual

*Heavy Duty
 Premium Slicers*

Model : GS-12M



≡ FEATURES & BENEFITS ≡

- **1/2 HP knife motor**
 Powerful 1/2 HP knife motor assures peak performance when slicing the toughest products.
- **Powerful gear driven knife motor**
 German Knife's heavy-duty gear drive system provides years of maintenance free reliability without down time. No belts to slip or break.
- **Half-permanently lubricated worm gears**
 Worm gears are made of Nytratron that is self-lubricated plastic made in Germany for high-speed equipment.
- **Stainless steel receiving plate**
- **Stainless steel for food zone**
 Stainless steel food contact zone provides easy to clean surfaces and won't chip or peel.
- **Oil lubrication system on top and bottom slide shaft**
 Oil lubrication system on top and bottom slide shaft provides smooth sliding for the chute compared with competing brands.
- **Top mount knife sharpener**
- **Ergonomic style chute handle**
 Comfortable and stable ergonomic style grip on the chute handle provides easy glide manual operation.
- **Knife blade**
 Knife made in Germany holds the cutting edge longer requires less sharpenings, corrosion resistant and provides precise cuts.
- **Heavy stainless steel end weight**
 Heavy end weight lets you slice tiny pieces to the end and eliminates waste.
- **Operator side end weight rod**
 By placing the weight rod on the operator side of the chute, the product is held tighter for slicing.
- **Safe knife cleaning**
 German Knife heavy duty slicers are equipped with a permanently attached knife ring guard and interlock knife cover.
- **Slice thickness adjustment**
 Precise thickness adjustment lets you slice from tissue thin to 1" thick.

| Model | Knife Motor HP | Chute Motor HP | Crated Weight (lbs.) | L x D x H (inches) |
|--------|----------------|----------------|----------------------|--|
| GS-12M | 1/2 | - | 153 | 25 ⁵ / ₈ x 23 ³ / ₈ x 23 ⁵ / ₈ |

Heavy Duty Slicer - Automatic

Heavy Duty
Premium Slicers

Model : GS-12M

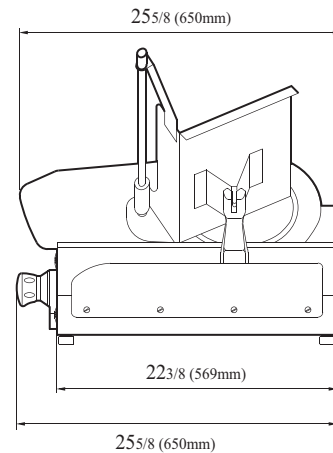
| ELECTRICAL DATA | |
|----------------------------------|--|
| Knife Motor | 1/2HP • 1ph • AC115V • 60Hz |
| Chute Motor | - |
| Speed | - |
| DIMENSIONAL DATA | |
| Diameter of Knife | 12 |
| Slices Thickness | Tissue thin ~ 1" thick |
| Foot Print (in.) | 17 ³ / ₄ x 22 ³ / ₈ |
| Ext. Length Overall (in.) | 25 ⁵ / ₈ (650mm) |
| Ext. Depth Overall (in.) | 23 ³ / ₈ (594mm) |
| Ext. Height Overall (in.) | 23 ⁵ / ₈ (599mm) |
| Net Weight (lbs.) | 130 |
| Gross Weight (lbs.) | 153 |
| Box Dimensions (L x D x H) (in.) | 29 ¹ / ₂ x 28 ¹ / ₄ x 27 ¹ / ₂ |

Design and specifications subject to change without notice.
Actual shipping weight may differ due to extra packing materials for product protection.

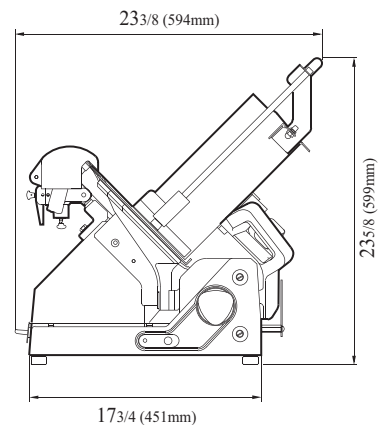
- **WARRANTY : 2 Year Parts and Labor Warranty**
- **Vegetable Hopper Available**

PLAN VIEW

(unit : inch)



FRONT VIEW



SIDE VIEW

Ver.201601



- Turbo Air : 800-627-0032 ■ GK : 800-500-3519
- Warranty : 800-381-7770 ■ AC : 888-900-1002

REFRIGERATOR MANUFACTURER
Turbo air

GERMAN KNIFE

RADIANCE

GREEN WORLD

AIR CONDITIONER MANUFACTURER
Turbo air