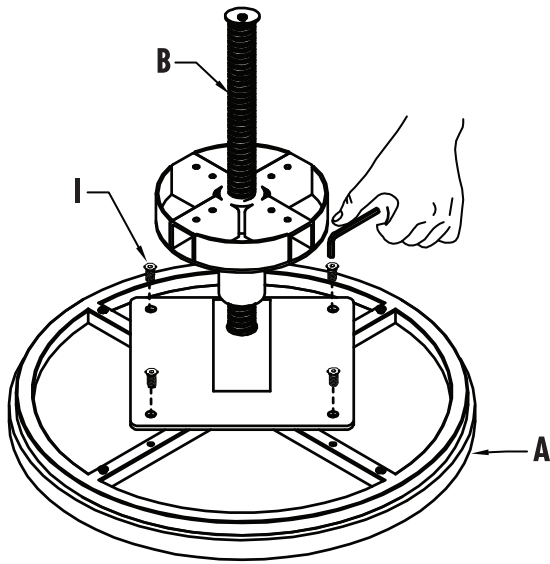


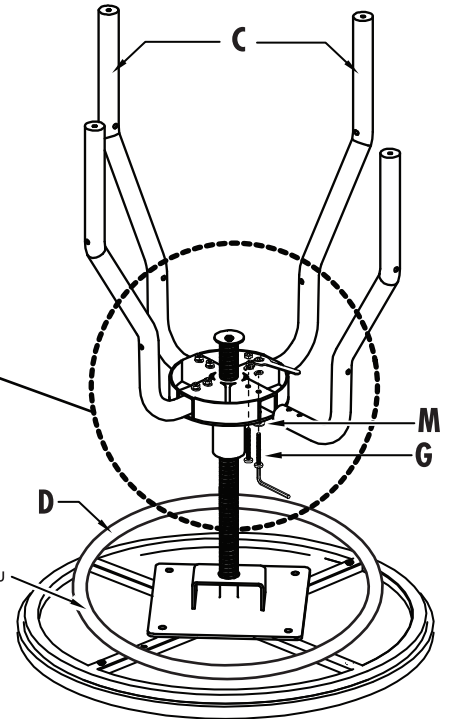
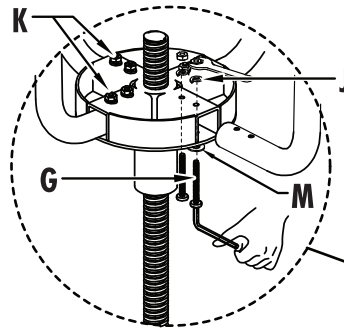
H-D® WOOD CAFE TABLE ASSEMBLY INSTRUCTIONS

VO4

Congratulations on your purchase of a H-D® Nostalgic Bar & Shield Wood Café Table. The utmost care has gone into the design and manufacturing of this product.



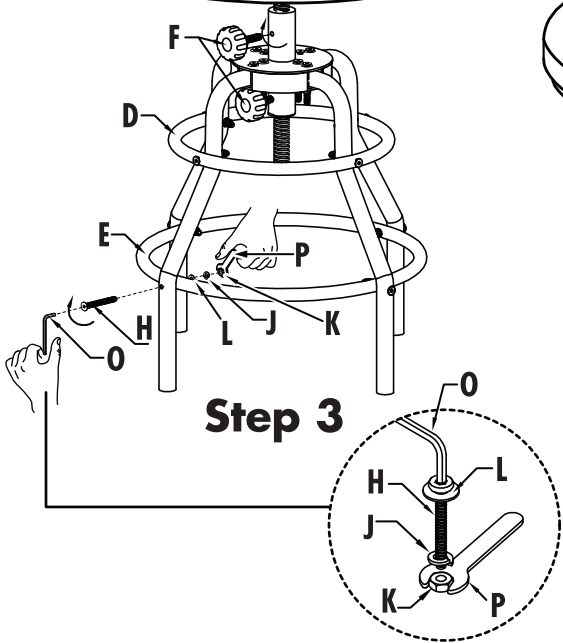
Step 1



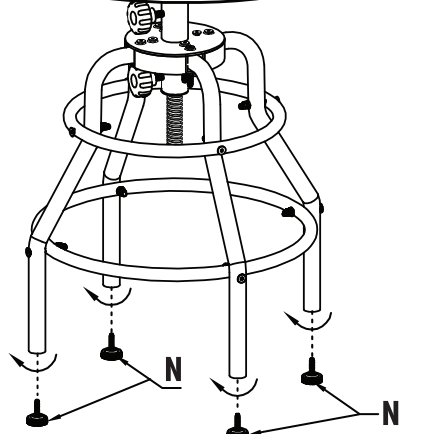
NOTE: Place small ring on before you attach legs.

Step 2

NOTE: DO NOT SECURELY TIGHTEN ALL OF THE SCREWS UNTIL THE UNIT IS FULLY ASSEMBLED.



Step 3



Step 4

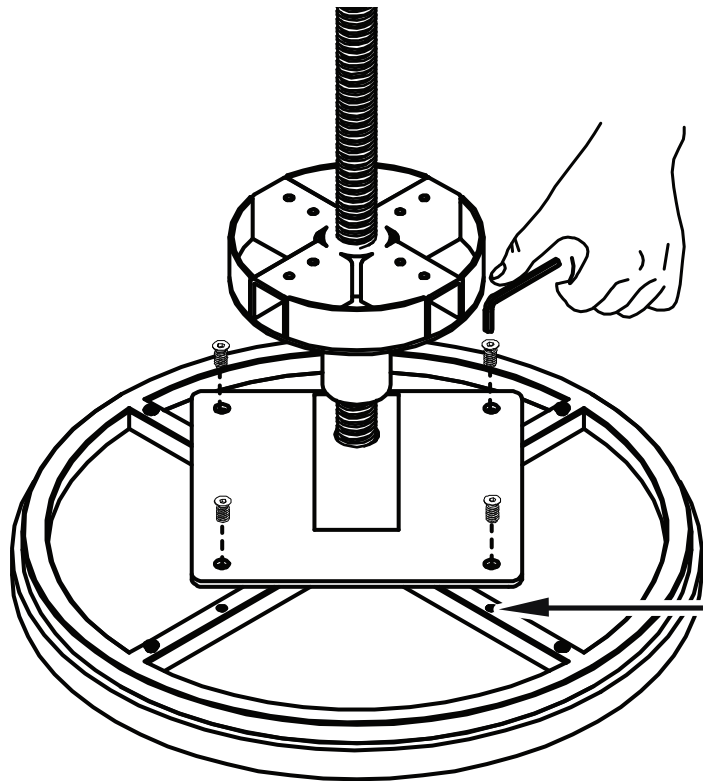
PART DESCRIPTION	QTY
A Wood Table Top	1
B Center Assembly	1
C Legs	4
D Small Ring	1
E Large Ring	1
F Adjustment Knobs	2
HARDWARE LIST	QTY
G Large Bolts	8
H Medium Bolts	8
I Small Bolts	4
J Split Washer	20
K Nut	16
L Small Washer	8
M Large Washer	12
N Feet	4
O Allen Wrench	1
P Wrench	1

WARRANTY:

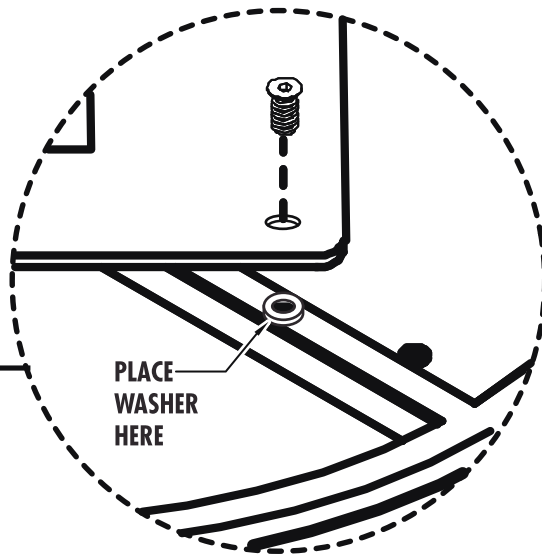
Free replacement of any part that fails within 90 days from date of purchase, excluding shipping costs. Void if damaged by misuse, accidents, alterations, failure to follow instructions, fire, flood, and acts of God.

If you have any questions or comments, please contact us at: **BrandedProducts.com**

LEVELING INSTRUCTIONS FOR H-D® WOOD CAFÉ TABLE



NOTE: IF TABLE TOP IS NOT LEVEL USE AS MANY WASHERS AS NECESSARY BETWEEN WOOD TABLE TOP AND CENTER ASSEMBLY TO LEVEL TABLE TOP.



Harley, Harley-Davidson and the Bar & Shield Logo are among the trademarks of H-D Michigan, LLC. ©2012, All Rights Reserved. Manufactured by APMGI under license from Harley-Davidson Motor Co.

Ace Product Management Group, Inc.
Milwaukee, WI U.S.A.