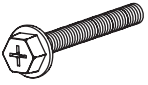






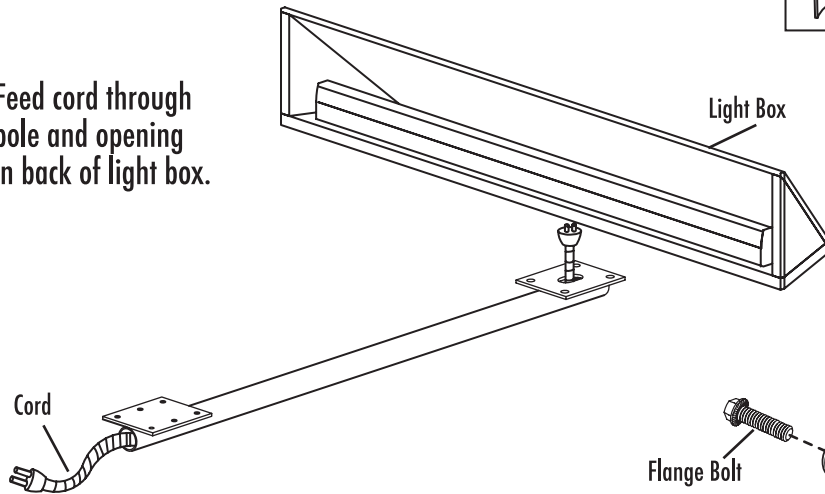
SHUFFLEBOARD LIGHTING KIT ASSEMBLY INSTRUCTIONS

Congratulations on your purchase of a H-D® Shuffleboard Lighting Kit. The utmost care has gone into the design and manufacturing of this product.

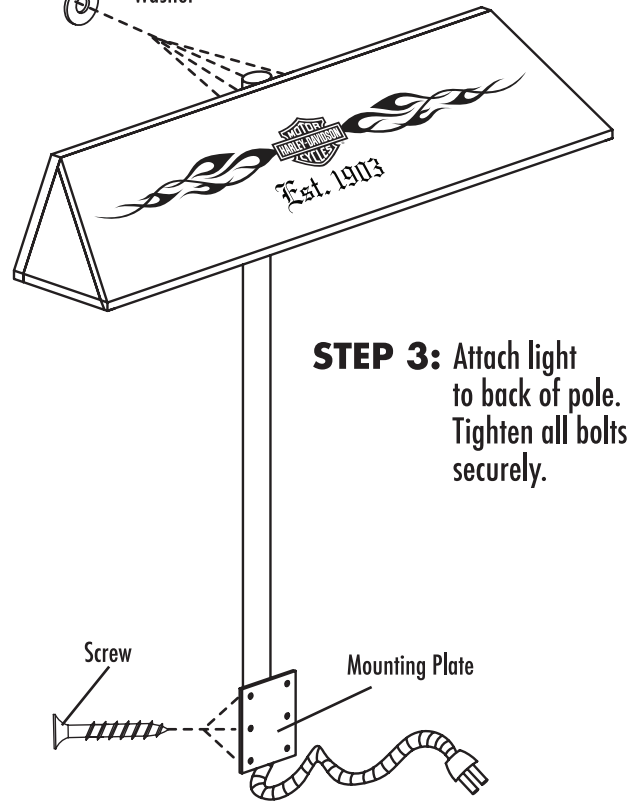
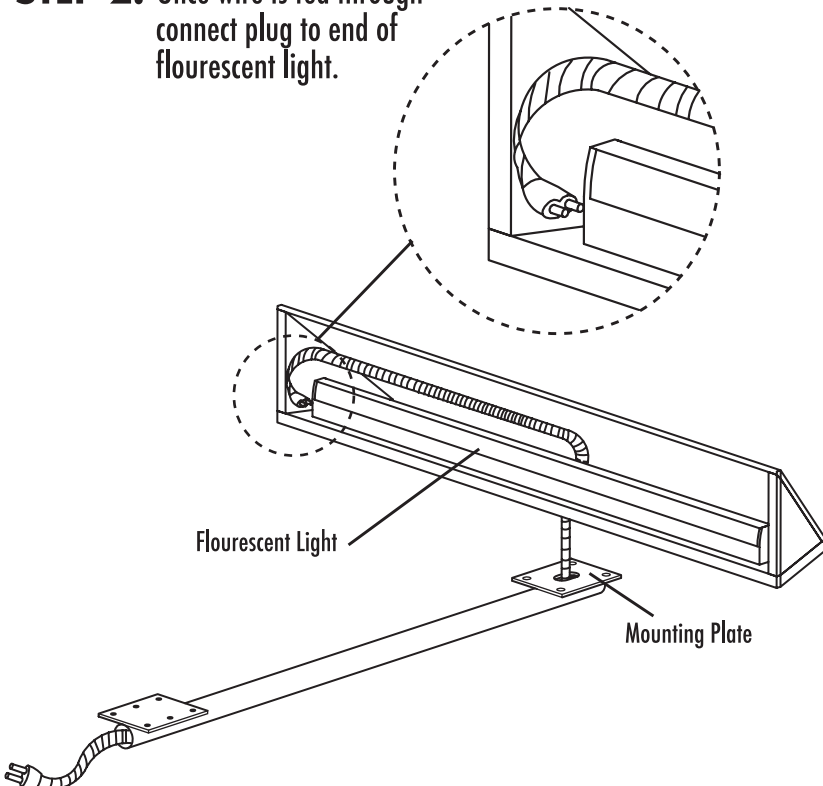
Please read these instructions carefully.

PART DESCRIPTION	QTY
	8
	8
	12

STEP 1: Feed cord through pole and opening in back of light box.

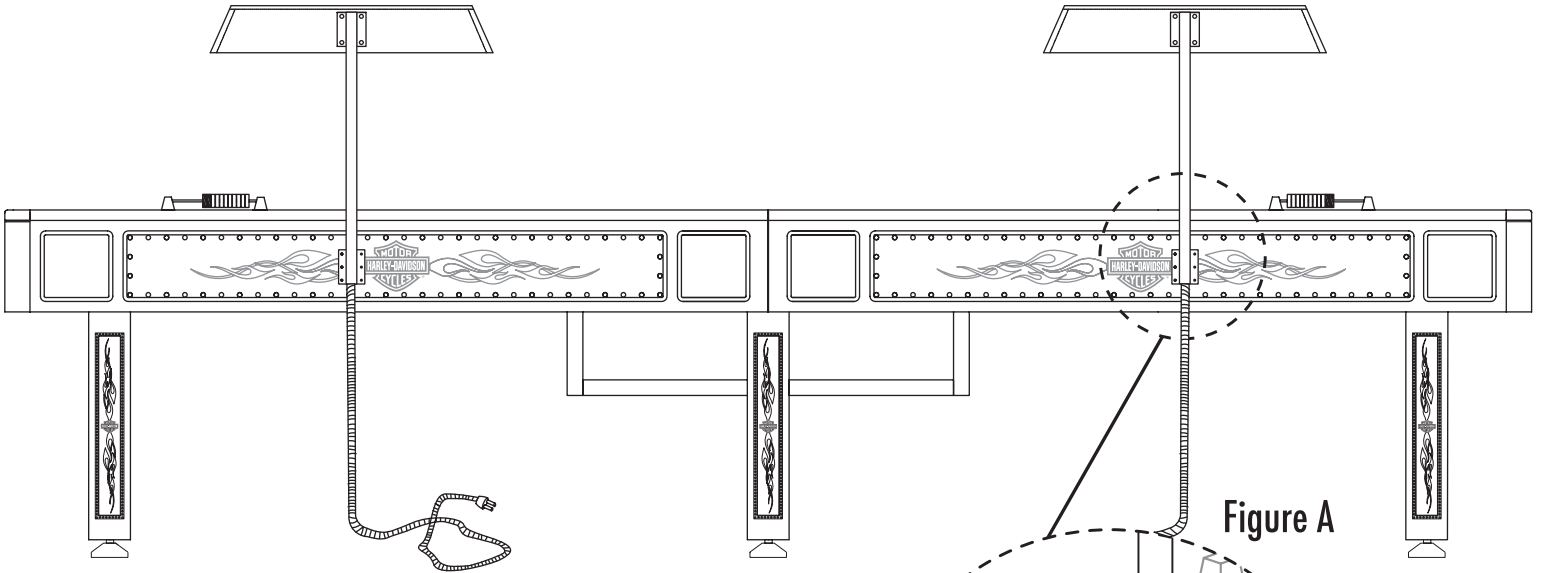


STEP 2: Once wire is fed through connect plug to end of fluorescent light.



STEP 3: Attach light to back of pole. Tighten all bolts securely.

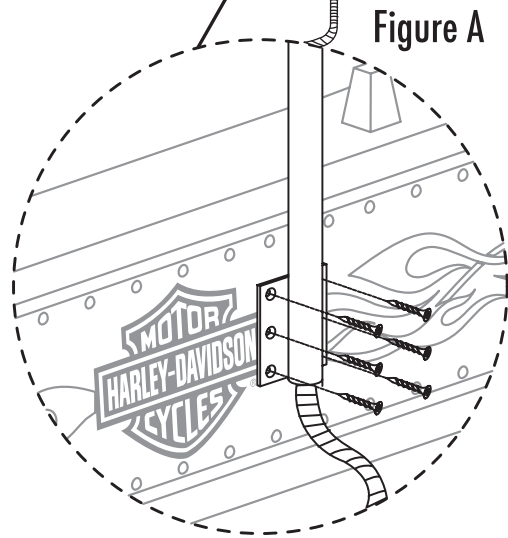
STEP 4: Repeat Steps 1-3 for second light.



STEP 5: Measure 36" from edge of shuffleboard. Mark with a pencil. Line up edge of mounting plate with pencil line. Center on side panel. (Figure A) Attach Lighting Kit to shuffleboard. Secure tightly with screws.

STEP 6: Repeat step 5 to attach second lighting kit.

STEP 7: Plug in lighting and enjoy.



Warranty:

Free replacement of any part that fails within one year from date of purchase, excluding shipping costs. Void if damaged by misuse, accidents, alterations, failure to follow instructions, fire, flood, and acts of God.

If you have any questions or comments, please contact us at:

BrandedProducts.com



Ace Product Management Group, Inc. Milwaukee, WI U.S.A. Manufactured under license from Harley-Davidson Motor Co. © 2009 All Rights Reserved.

For a dealer near you call toll free 1-800-588-2743 in the USA and Canada or use our dealer locator at www.harley-davidson.com

Ace Product Management Group, Inc.
Milwaukee, WI U.S.A.

