



**HARLEY-DAVIDSON®**  
**BAR & SHIELD FIRE PIT**  
OWNER'S MANUAL  
HDL-10066



**PLEASE KEEP THIS INSTRUCTION MANUAL FOR FUTURE REFERENCE**

**⚠ WARNING ⚠**

**ASSEMBLY REQUIRED.**

**Keep screws and parts out of reach of children.**

# WARNINGS

## FOR OUTDOOR USE ONLY (outside any enclosure)

1. Improper Installation, adjustment, alteration, service, or maintenance may result in property damage, injury or death.
2. Read the Installation, operation, maintenance instructions thoroughly before installing or servicing this equipment.
3. Failure to follow these instructions could result in a fire or explosion, which could cause property damage, personal injury or death.

Save these instructions for future reference. If you are assembling this fire pit for someone else, give this manual to him or her to save for future reference.

# SAFETY WARNINGS

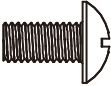

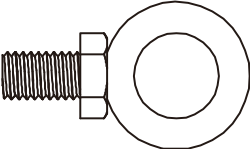

1. This item is for outdoor use only, and shall **NOT** be used in a building, garage or any other enclosed area.
2. **DO NOT** use this fire pit for indoor heating. **TOXIC** carbon monoxide fumes can accumulate and cause asphyxiation.
3. This fire pit is **NOT** for commercial use.
4. This fire pit is **NOT** to be operated by children.
5. This fire pit is **NOT** to be used in or on boats or recreational vehicles.
6. Always use in accordance with all applicable local, state and national codes. Contact your local fire department for details on outdoor burning.
7. When using this fire pit, exercise the same precautions you would with any open fire.
8. The use of alcohol, prescription or non-prescription drugs may impair the consumer's ability to properly assemble or safely operate this fire pit.
9. **Do NOT** use this fire pit without reading this entire document and all warning, cautions and instructions.
10. This fire pit is for use with dry, seasonal hardwood. It will burn hotter, more completely and create less smoke.
11. **Do NOT** burn charcoal briquette, lump charcoal, manufactured logs, driftwood, trash, leaves, papers, cardboard, plywood, painted or stained or pressure treated wood. Avoid using softwoods such as pine or cedar that can throw sparks.
12. **Do NOT** alter this fire pit in any manner.
13. **Do NOT** use this fire pit until it is **COMPLETELY** assembled and all parts are securely fastened and tightened.

14. **Do NOT** store or use gasoline or other flammable vapors or liquids in the vicinity of this or any other appliance.
15. **Do NOT** store or use an LP gas cylinder within 10 feet (3.05m) of this fire pit while it is in operation.
16. **Do NOT** use this fire pit near automobiles, trucks, vans or recreational vehicles.
17. **Do NOT** use in an explosive atmosphere. Keep outdoor area clean and free from combustible materials, gasoline and other flammable liquids.
18. **Do NOT** use this fire pit under an overhead or near any unprotected combustible constructions. Avoid using near or under overhanging trees and shrubs.
19. Always use this fire pit on a hard level non-combustible surface such as concrete, rock or stone. An asphalt or blacktop surface may not be acceptable for this purpose. Do NOT use on wooden decks.
20. Always empty this fire pit before each use.
21. **Do NOT** wear flammable or loose clothing when operating this fire pit.
22. **Do NOT** use in windy conditions.
23. **Do NOT** use this fire pit unless spark guard is securely in place.
24. **Do NOT** use gasoline, kerosene, diesel fuel, lighter fluid or relight fires.
25. Keep all electrical cords away from a hot fire pit.
26. All surfaces of this fire pit are hot when in operation. To avoid burns, do NOT touch fire pit until it has completely cooled unless you are wearing protective gear (potholders, gloves, BBQ mittens, hot pads & etc). Never touch ashes or coals to see if they are hot.
27. **Do NOT** leave a lit fire pit unattended, especially around children and pets.
28. **Do NOT** attempt to move or store this fire pit until ashes and coals are completely extinguished.
29. **Do NOT** remove ashes or coals until they are completely and extinguished.
30. Use heat-resistant gloves or hot pads when contacting handles.
31. Use long, sturdy fire pit tools when adding or moving logs.
32. **Do NOT** place wood directly into bottom of the fire pit. Place wood only on the wood grid.
33. **Do NOT** overload the fire pit. Do not add additional firewood until the fire burns down.  
**NOTICE:** If any portion of the bowl lid or spark guard of this fire pit are glowing red it is overloaded.
34. **Do NOT** lean over this fire pit when lighting or when in use.
35. **Do NOT** place a hot spark guard or hot fire pit tools onto combustible surface such as grass, wooden deck or furniture.
36. Avoid breathing smoke from the fire and avoid getting it into your eyes.
37. This fire pit should be thoroughly inspected and cleaned on a regular basis.
38. After a period of storage and/or non-use, check for signs of damage and creosote build-up.  
**Do NOT** operate until necessary repairs and/or clean up are executed.
39. Death, serious injury or damage to property may occur if the above is not followed exactly.

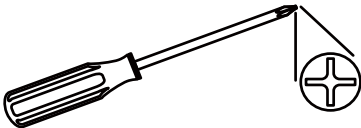
## PARTS LIST

Part #	Description	Qty.
A	Screen Hook	1
B	Screen	1
C	Charcoal Grid	1
D	Safety Ring	4
E	Fire Bowl	1
F	Leg	3

## HARDWARE

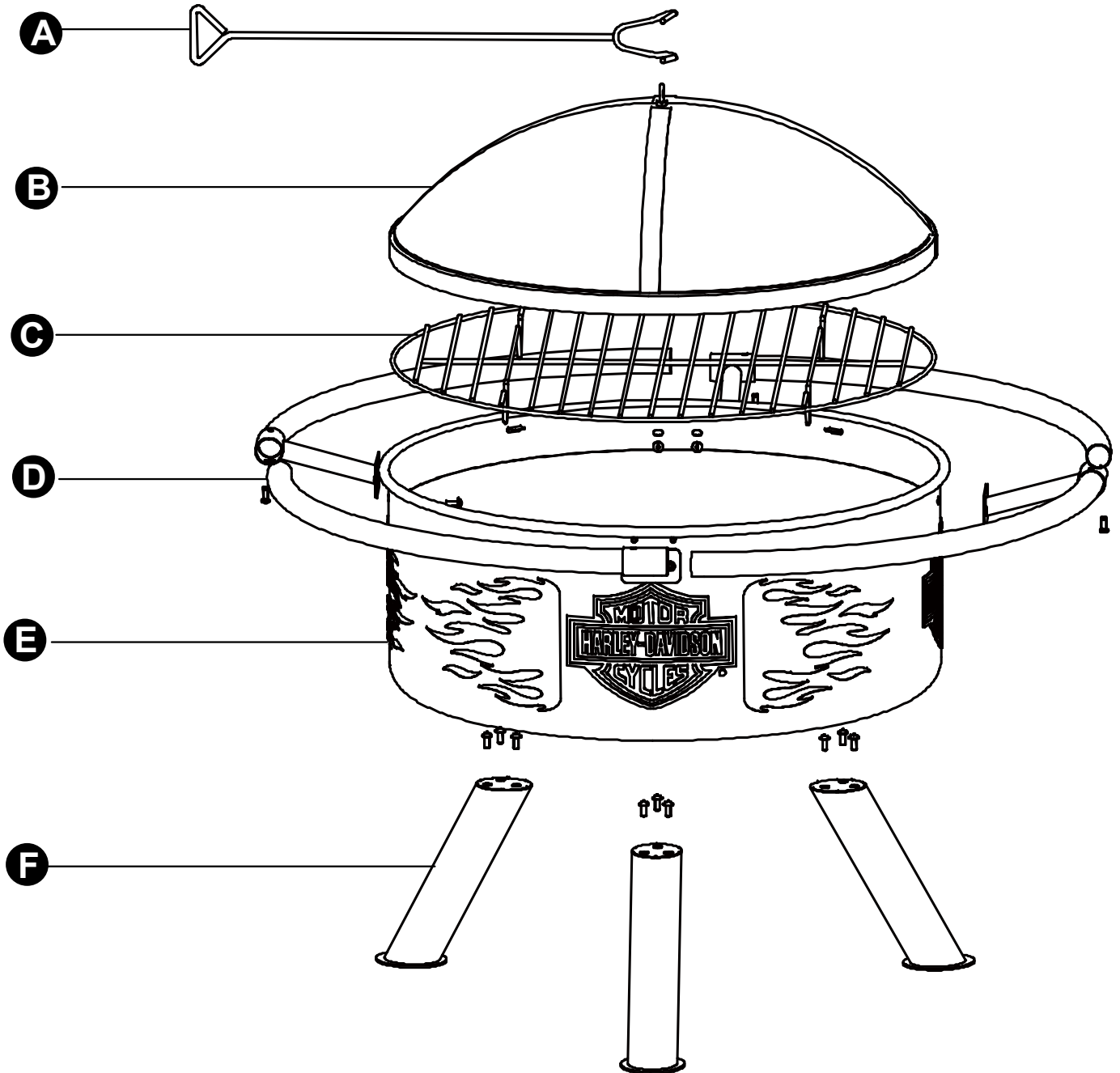
Hardware #	Description	Picture	Qty
AA	M5 x 10 Bolt		17
BB	ST5.5 x12 Bolt		4
CC	M6 x 10 Ring Screw		1
DD	M6 Flange Nut		1

## TOOLS REQUIRED

Description	Picture
Phillips Head Screwdriver (Not included)	

# ASSEMBLY INSTRUCTIONS

**NOTE:** Before beginning assembly of product, make sure all parts are present. Compare parts with package contents list and hardware contents above. If any part is missing or damaged, do not attempt to assemble the product. Contact customer service for replacement parts.



# ASSEMBLY INSTRUCTIONS

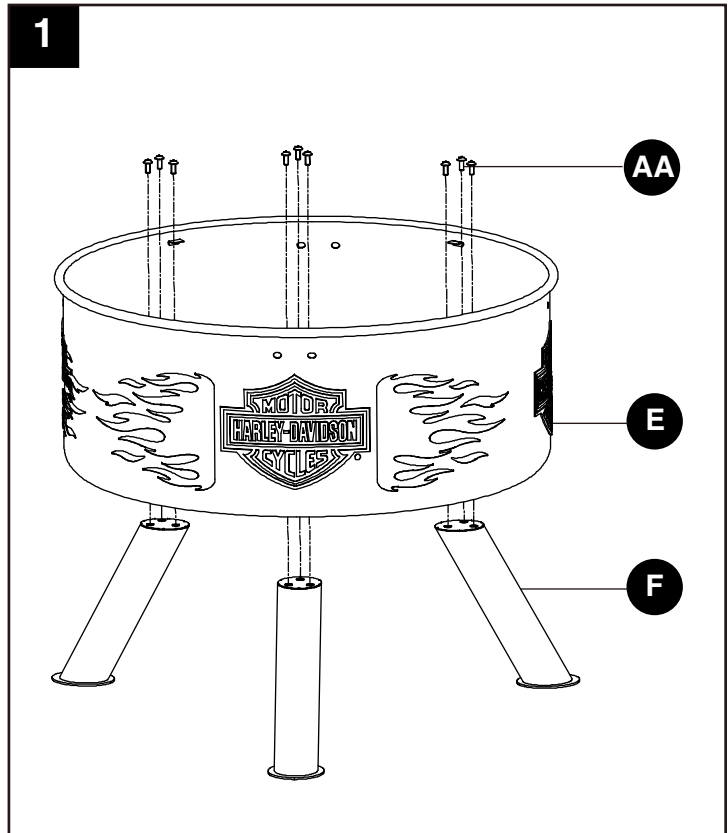
**NOTE:** Assemble the fire pit on a non-abrasive surface

## Step 1

Attach fire bowl (E) to legs (F) with 9 M5 x 10 bolts (AA). Fig 1.

### Hardware Used

**AA** M5 x 10 Bolt  x 9



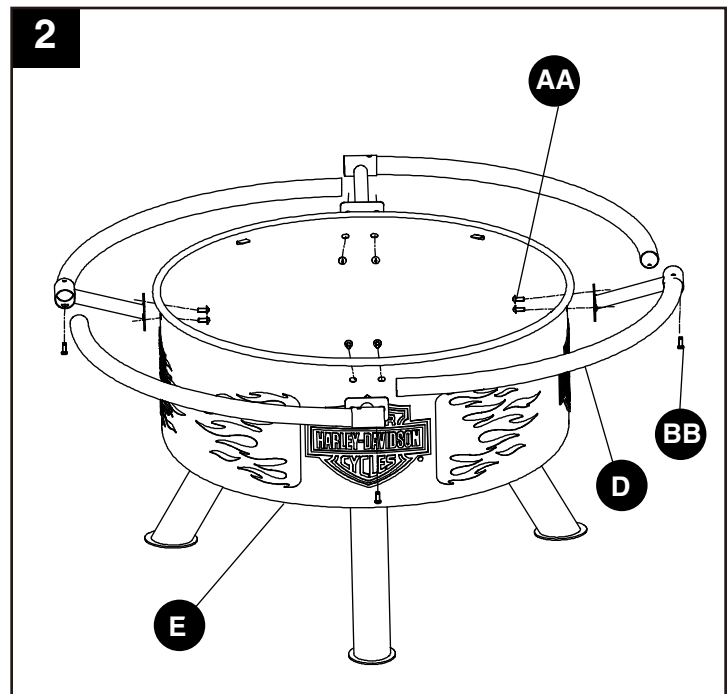
## Step 2

Attach safety rings (D) to fire bowl (E) with 8 M5 x 10 bolts (AA), and keep bolts half loose. Connect safety rings (D) together with 4 ST5.5 x 12 bolts (BB) to complete safety ring assembly. Tighten all bolts. Fig 2.

### Hardware Used

**AA** M5 x 10 Bolt  x 8

**BB** ST5.5 x 12 Bolt  x 4



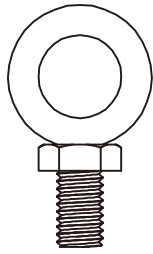
# ASSEMBLY INSTRUCTIONS

## Step 3

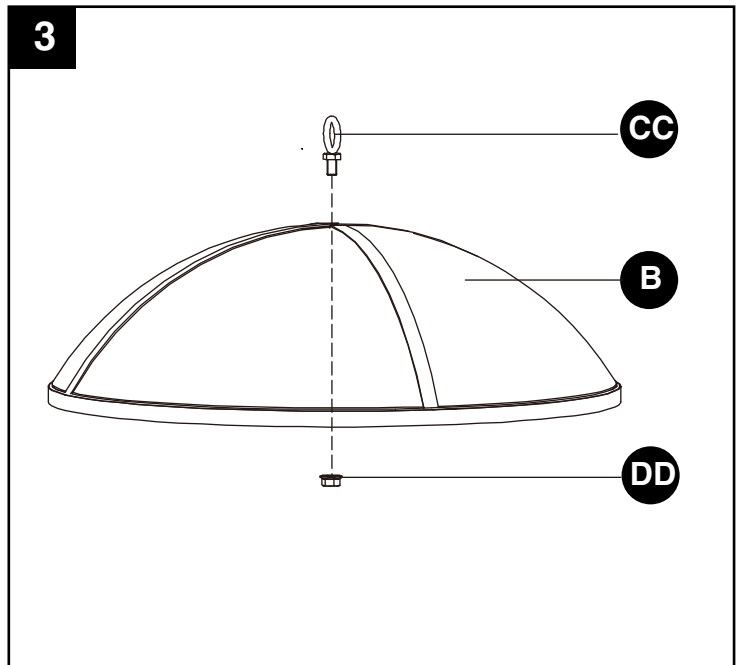
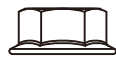
Attach 1 M6x10 ring screw (CC) to the top of the screen (B) with 1 M6 flange nut (DD). Fig 3.

### Hardware Used

**CC** M6x10 Ring Screw x 1

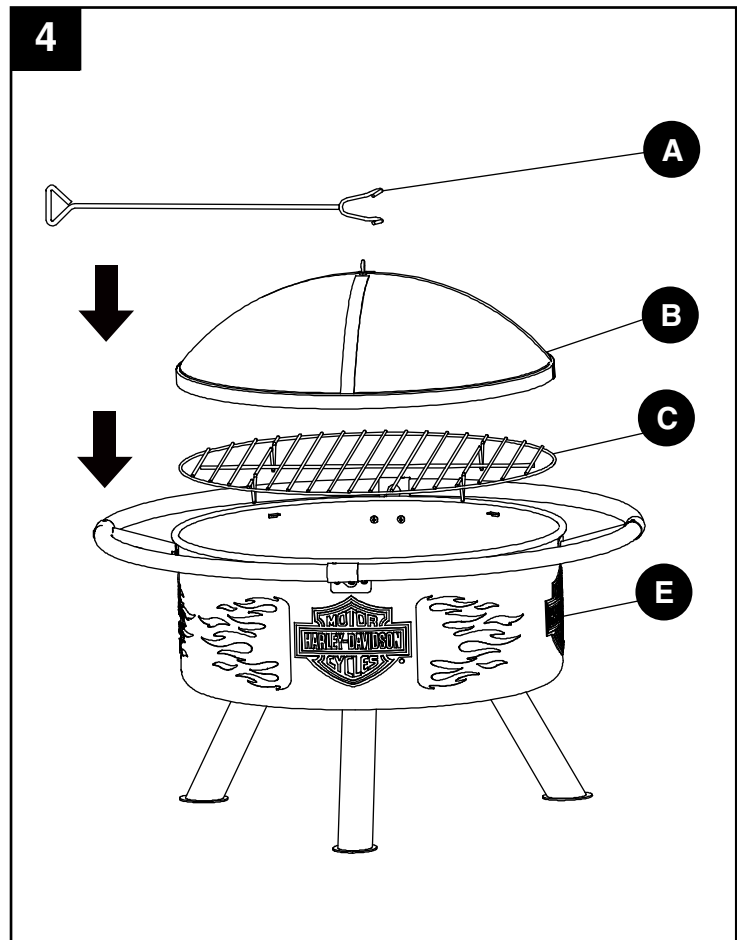


**DD** M6 Flange Nut x 1



## Step 4

Place the charcoal grid (C) into the fire bowl (E) directly and then the screen (B). Fig 4.



# CARE AND MAINTENANCE

## Inspecting

Inspect this fire pit on a regular basis to ensure product safety and longer product life. **DO NOT** attempt to inspect this fire pit until the fire is **COMPLETELY** out and the fire pit has cooled down.

- Check handles to make sure they are secure.
- Check components for any signs of damage or rust.
- If any component is damaged, do not operate until repairs are made.

## Cleaning

Clean this fire pit on a regular basis to promote safer use and longer product life. Note: After repeated use, the finish may discolor slightly.

**DO NOT** attempt to clean this fire pit until the fire is **COMPLETELY** out and the fire pit has cooled down.

**DO NOT** use oven cleaner or abrasive cleaners as they will damage this product.

**DO NOT** clean any part of this fire pit in a self-cleaning oven as it may damage the finish.

- Wipe exterior surfaces with a mild dishwashing detergent or baking soda.
- For stubborn surfaces use a citrus-based degreaser and a nylon scrubbing brush.
- Rinse clean with water.
- Remove built-up creosote from components with a chimney cleaning product.

## Storage

**DO NOT** move or store this fire pit until the fire is **COMPLETELY** out and the fire pit has cooled down.

- Once the fire is out, coals are cold and fire pit is cool to touch, remove ashes and properly dispose.
- Cover fire pit with the provided PVC cover (included).
- Store assembled in a location away from children and pets.

**Note:** If you do not use a cover, store the fire pit in a dry location to maximize product life.

# WARRANTY

Free replacement of any part that fails within 90 days from date of purchase, excluding shipping costs. Void if damaged by misuse, accidents alterations, failure to follow instructions, fire, flood, and acts of God.

If you have any questions or comments, please contact us at: **BrandedProducts.com**



HARLEY, HARLEY-DAVIDSON and the Bar & Shield Design are among the trademarks of H-D U.S.A., LLC ©2015 H-D and its Affiliates. All Rights Reserved. Ace Product Management Group, Inc. is a licensee of Harley-Davidson Motor Company. For a dealer near you call toll free 1-800-588-2743 in the USA and Canada or use our dealer locator at [www.harley-davidson.com](http://www.harley-davidson.com)