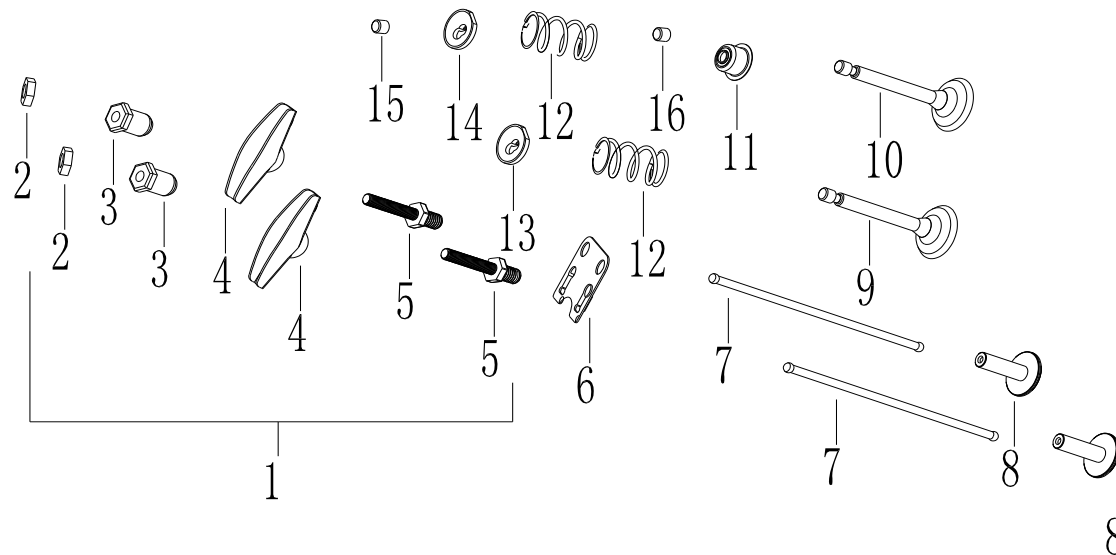


VALVE MECHANISAM SYSTEM



序号 Ref. No.	零部件代号 Part. No	Description	数量 Quantity	备注 Remark
1	DT190F-13200-A	Rocker assy	1	
2	DT190F-13203-A	Adjusting Nut	1	
3	DT190F-13204-A	Lock Nut	1	
4	DT190F-13201-A	Rocker assy	1	
5	DT190F-13202-A	Adjusting Nut	1	
6	DT190F-13300-A	Lock Nut	1	
7	DT190F-13008-A	Valve Rocker Arm	2	
8	DT190F-13009-A	Fastening Bolt	2	
9	DT190F-13001-A	Plate, Push Rod Guide	1	
10	DT190F-13002-A	Rod, Push	1	
11	DT190F-13011-A	Lifter, Valve	1	
12	DT190F-13003-A	Valve Inlet	2	
13	DT190F-13004-A	Valve Exhaust	1	
14	DT190F-13005-A	Oil Seal, Valve	1	
15	DT190F-13006-A	Spring, Valve	1	
		Retainer, Inlet Valve Spring		
		Retainer, Exhaust Valve Spring		
		Cap		

