

TURBOMITE

BOAT CART ASSEMBLY



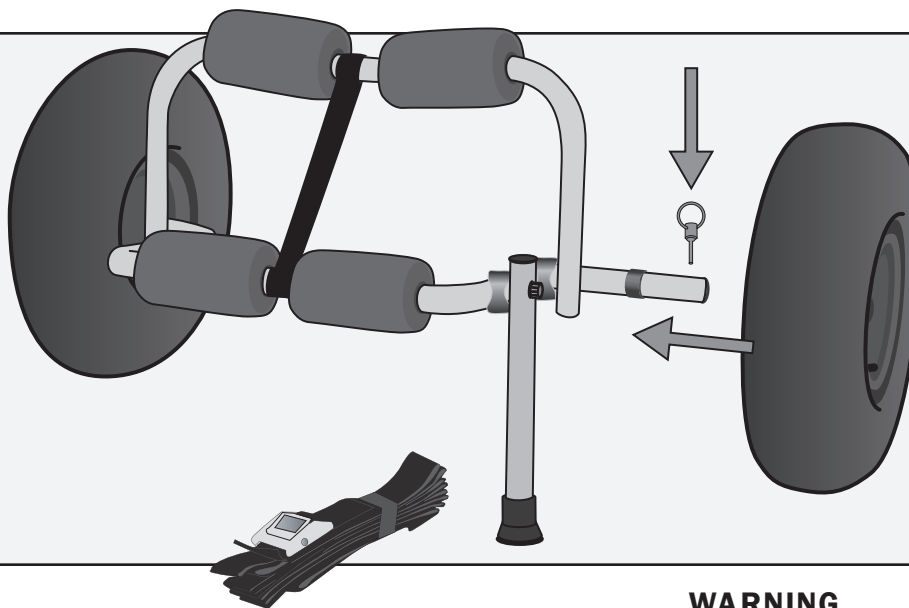
USING YOUR TURBO MITE

Unfold the cart frame.

Place next to your kayak, canoe, or SUP, about a foot behind the center. Lift the bow of the boat and rotate until the boat is above the cart.

Gently lower the boat to the cart. Use provided straps to secure the boat to the cart.

Once to the water, you can take off the wheels and fold the frame for storage in the boat.



ASSEMBLY

Your frame should be assembled for you.

Slip on the wheel, valve stem facing out. Insert the cotter pin into the hole at the end of the axle. Flip O-ring over the end of the axle to lock tire in place.

WARNING

Due to the fact that Seattle Sports does not have control over how this boat cart is used or how it is attached to a boat, Seattle Sports disclaims any and all liability for damage or injury that might occur as a result of the improper use of this product.

GUARANTY

Seattle Sports Products are guaranteed for material and workmanship for one year. This warranty is only applicable if all instructions are followed and product is used as recommended.

Normal wear and tear or damage resulting from misuse, accidents or alterations are not covered. Use of this product in a Professional setting is not covered. Seattle Sports assumes no liability for incidental damages or injury resulting from use or misuse of this product. You may have additional warranties or limitations outlined in product packaging.

Thank you for purchasing our products. Please contact us with any questions or concerns about our products. Seattle Sports Company, 3217 W. Smith St #1, Seattle WA 98199. seattlesportsco.com
Copyright 2012

CARE

The tires should be inflated to approximately 30 psi. Lower pressure can be used for use in soft sand.

CAUTION: INFLATE WHEELS WITH MANUAL PUMP ONLY. OVER-INFLATION OF WHEELS CAN RESULT IN SEVERE INJURY.

If the cart is used in or around salt water, rinse it off and dry it to prevent corrosion.

Do not over tighten the strap when connecting the boat to the cart; this can damage your boat.

