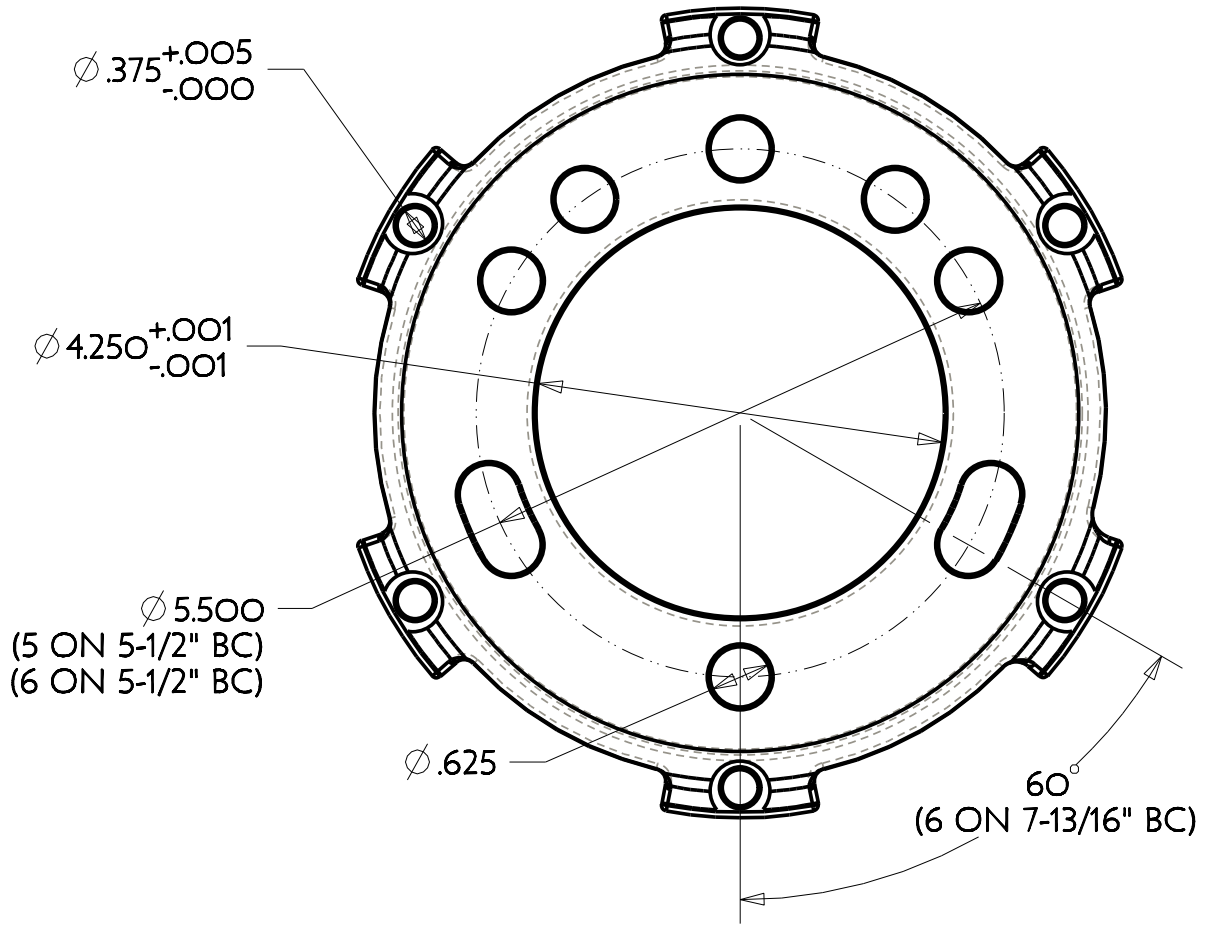
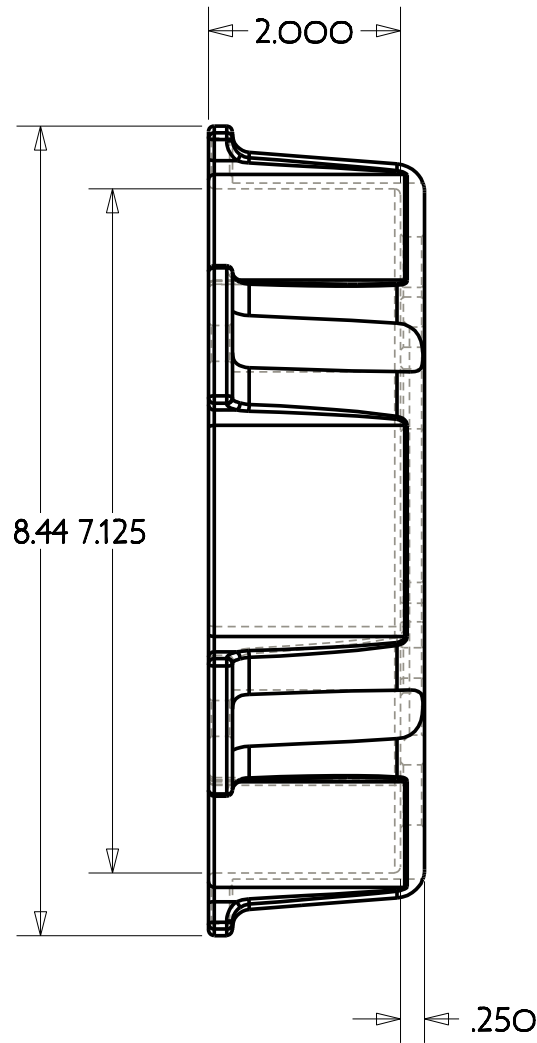


BILL OF MATERIAL

ITEM	QTY	MODEL NO.	DESCRIPTION
-	-	HAT100	6061T6 (BLUE ANODIZE)



BY: TJK	15-Sep-08	SPIDERTRAX INC.	
CKD:		ALUMINUM HAT 5 & 6 LUG	
UNLESS OTHERWISE SPECIFIED: 1) DIMENSIONS ARE IN INCHES 2) BREAK ALL EDGES 3) TOLERANCES ARE: XX -> ±.01 XXX -> ±.005 XXXX -> ±.0005 FRACTIONS -> ±.015 ANGLES -> ±0° 30'		SCALE	DWG. NO.
		0.500	HAT-100_V1-2:1

REV	DESCRIPTION	BY	DATE