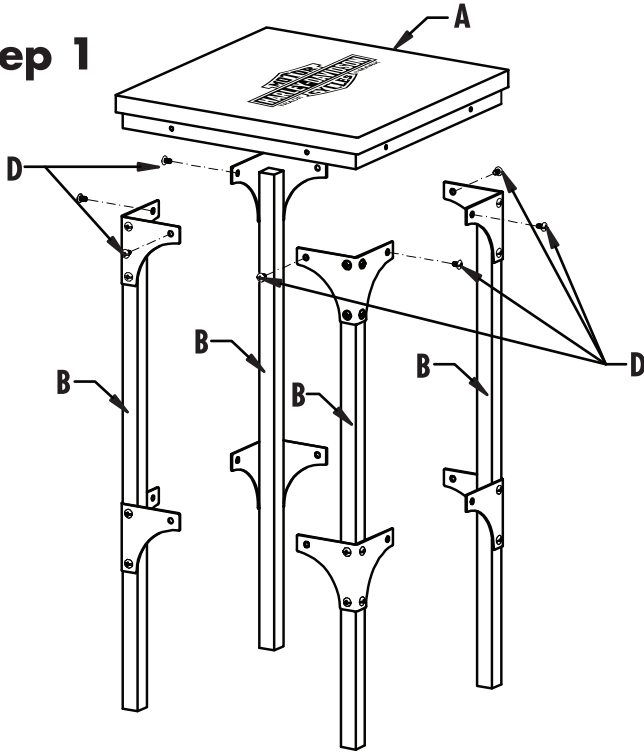




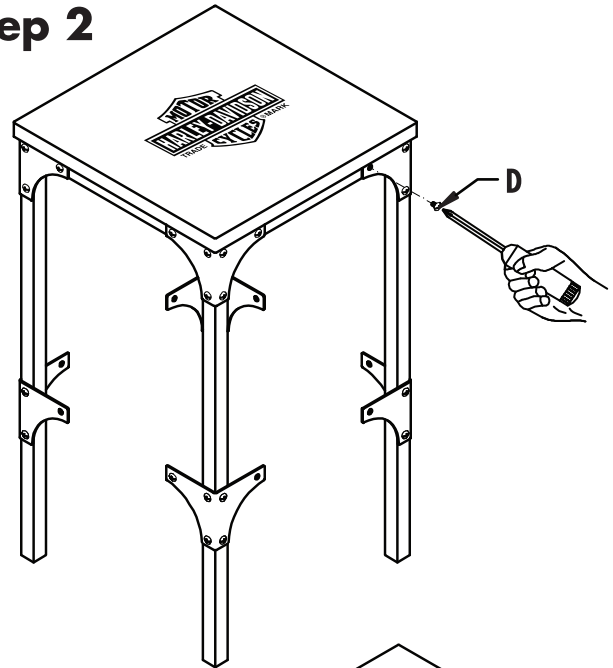
H-D® NOSTALGIC BAR & SHIELD SQUARE STOOL ASSEMBLY INSTRUCTIONS

PARTS LIST		QTY
A	Wood Seat Top	1
B	Legs	4
C	Rungs	4
D	Screws	16

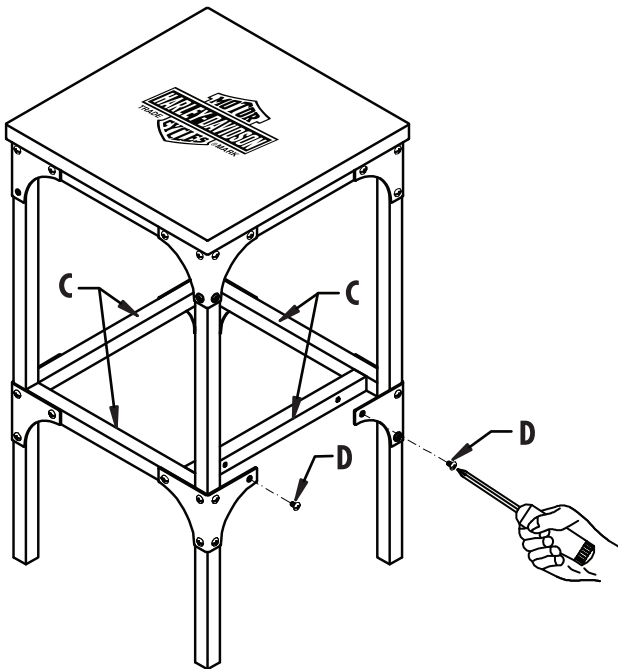
Step 1



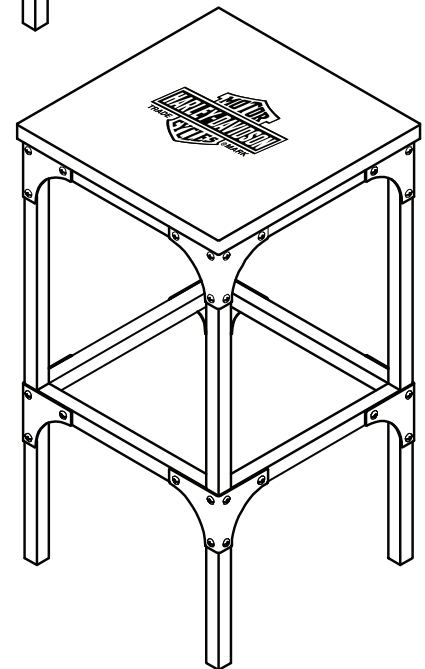
Step 2



Step 3



Step 4



WARRANTY:

Free replacement of any part that fails within 90 days from date of purchase, excluding shipping costs. Void if damaged by misuse, accidents, alterations, failure to follow instructions, fire, flood, and acts of God.

If you have any questions or comments, please contact us at: BrandedProducts.com

