

**SAF-T-LINER C2  
Parts Reference Manual  
( Interior )**





## **INTRODUCTION**

The Thomas Built Buses SAF-T-LINER C2 parts reference manual provides the user with a tool to assist in identifying needed replacement parts and service information for their bus. It is intended to be used as a guide to help locate service parts information that resides within the unit specific service bill of material found on the TBB Dealer Support Portal. Note: If you do not have access to the Thomas Built Buses ESP website, contact your local dealer.

### **General Instructions**

The format of the C2 parts reference manual ( interior views ) consists of various high level views and references to particular sales/data codes that identify certain components and provide direction to additional associated components. A text page is provided for each code which lists the sales/data code, component references and also the major group where the associated service part numbers can be found in the on-line service bill of material. Sales and data codes are arranged alphabetically within the major groups in the service bill of material. A table of contents is provided for the reference manual which is listed in sales code sequence.





Table of Contents

Interior

D1015 Label - Entrance Door, AG2, Air, Emergency Exit Instruction .....2

D1054 Fan - Defroster, Circular Mount, Windshield Header .....4

D1064 Visor & D1065 Visor - Driver's, 6 x 30" .....6

D1136 A/C - Evaporator Trim, Rear .....8

D1230 Storage Box - Overhead .....10

D1256 Panel - Accessory Mounting, Safety Equipment .....12

D3006 Accessory Compartment Door with Glass .....14

D3008 Latch - Storage Compartment Door, Over Windshield .....16

D3014 Trim - Rear Door .....18

D3024 Power System - Entrance Door, Air, AG2 .....20

D3029 Latch - Single Point, Rear Emergency Door .....22

D3030 Stop - Rear Emergency Door .....24

D3039 Vandalock - Aluminum Entrance Door Cylinder with Key .....26

D3067 Stop - Side Door, Telescoping .....28

D3090 Lock - Door, Interior Storage, Over Driver's Header .....30

D3092 Seal - Rear Emergency Door .....32

D3105 Threshold - Rear Emergency Door .....34

D3109 Valve - Air Door Solenoid .....36

D3119 Trim - Entrance Door, Interior .....38

D6001 Panels - Rear End .....40

D6002 Panels - Rear End, Side .....42

D6003 Bulkhead - Rear Bulkhead-Rear End Interior .....44

D6004 Panels - Access Rear Bulkhead .....46

D6006 Cover - Access, Rear End Harness .....48

D6007 Cover - Access, Front End Harness .....50

D6008 Cover - Trim, Driver's Header .....52

D6009 Cover - Trim, Front End, Windshield Header .....54

D6010 Cover - Trim, Front Entrance, Door Header .....56

D6016 Cover - Wheelhouse and Heater Hose .....58



# C2 PARTS REFERENCE MANUAL

## Table of Contents

<b>D6018 Cover - Fuel Sender Inspection</b> .....	<b>.60</b>
<b>D6019 Molding - Shoe</b> .....	<b>.62</b>
<b>D6022 Mirror - Interior, 6 x 30"</b> .....	<b>.64</b>
<b>D6026 Pad - Door Header, Front Entrance</b> .....	<b>.66</b>
<b>D6029 Pad - Door Header, Side Emergency Door</b> .....	<b>.68</b>
<b>D6030 Pad - Door Header, Rear Emergency Door</b> .....	<b>.70</b>
<b>D6047 Heater - Hose / Covers</b> .....	<b>.72</b>
<b>D6048 Heater - Entrance Door, Stepwell</b> .....	<b>.74</b>
<b>D6049 Hose - Stepwell Heater</b> .....	<b>.76</b>
<b>D6051 Door - Access, Rear Bulkhead</b> .....	<b>.78</b>
<b>D6082 Cabinet - Switch, Lower</b> .....	<b>.80</b>
<b>D6083 Cabinet - Switch, Upper</b> .....	<b>.82</b>
<b>D6084 Cabinet - Top Plate</b> .....	<b>.84</b>
<b>D6085 Tread - Step, Front Entrance Door</b> .....	<b>.86</b>
<b>D6086 Trim - Stepwell</b> .....	<b>.88</b>
<b>D6091 Panel - Accessory Mounting, Safety Equipment</b> .....	<b>.90</b>
<b>D6103 Rail - Assist, Front Entrance Door, Left Side</b> .....	<b>.92</b>
<b>D6110 Rail - Assist, Front Entrance Door, Right Side</b> .....	<b>.94</b>
<b>D6118 Cover - Stepwell Rise, Right Side Entrance Door</b> .....	<b>.96</b>
<b>D6126 Prop Rod - Accessory Door, Over Windshield</b> .....	<b>.98</b>
<b>D6138 Floor Mat - Driver's Area</b> .....	<b>.100</b>
<b>D6139 Cover - Heater Hose, Side Emergency Door</b> .....	<b>.102</b>
<b>D6140 Dash - End Caps / Ductwork / Trim (Start Date 2/11/05)</b> .....	<b>.104</b>
<b>D6140 Dash - End Caps / Ductwork / Trim (End Date 2/11/05)</b> .....	<b>.106</b>



# C2 PARTS REFERENCE MANUAL

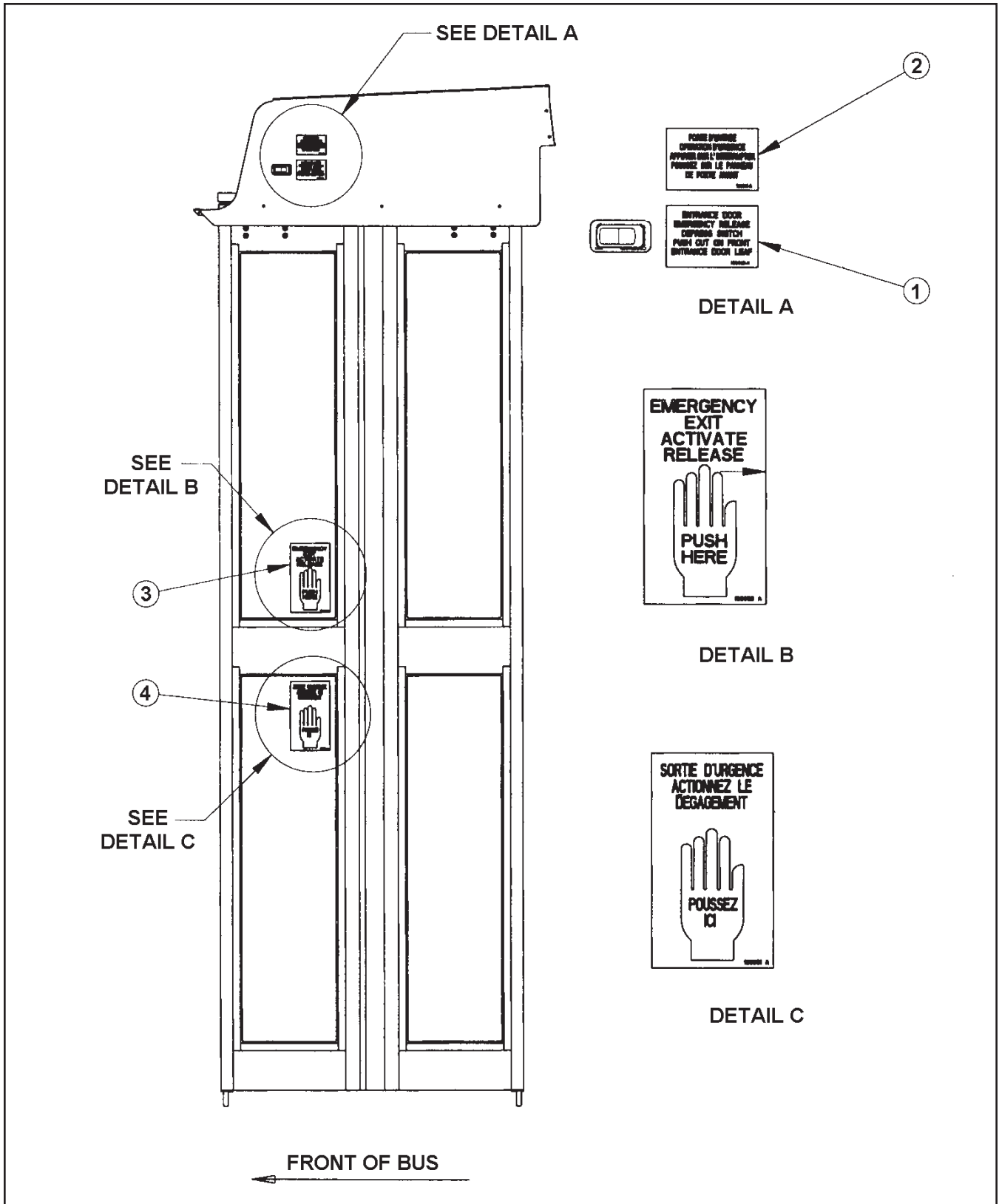
## Interior



# C2 PARTS REFERENCE MANUAL

Interior

D1015XXXXX - Label - Entrance Door,  
AG2, Air Emergency Exit Instruction







# C2 PARTS REFERENCE MANUAL

Interior

D1015XXXXX - Label - Entrance Door,  
AG2, Air Emergency Exit Instruction

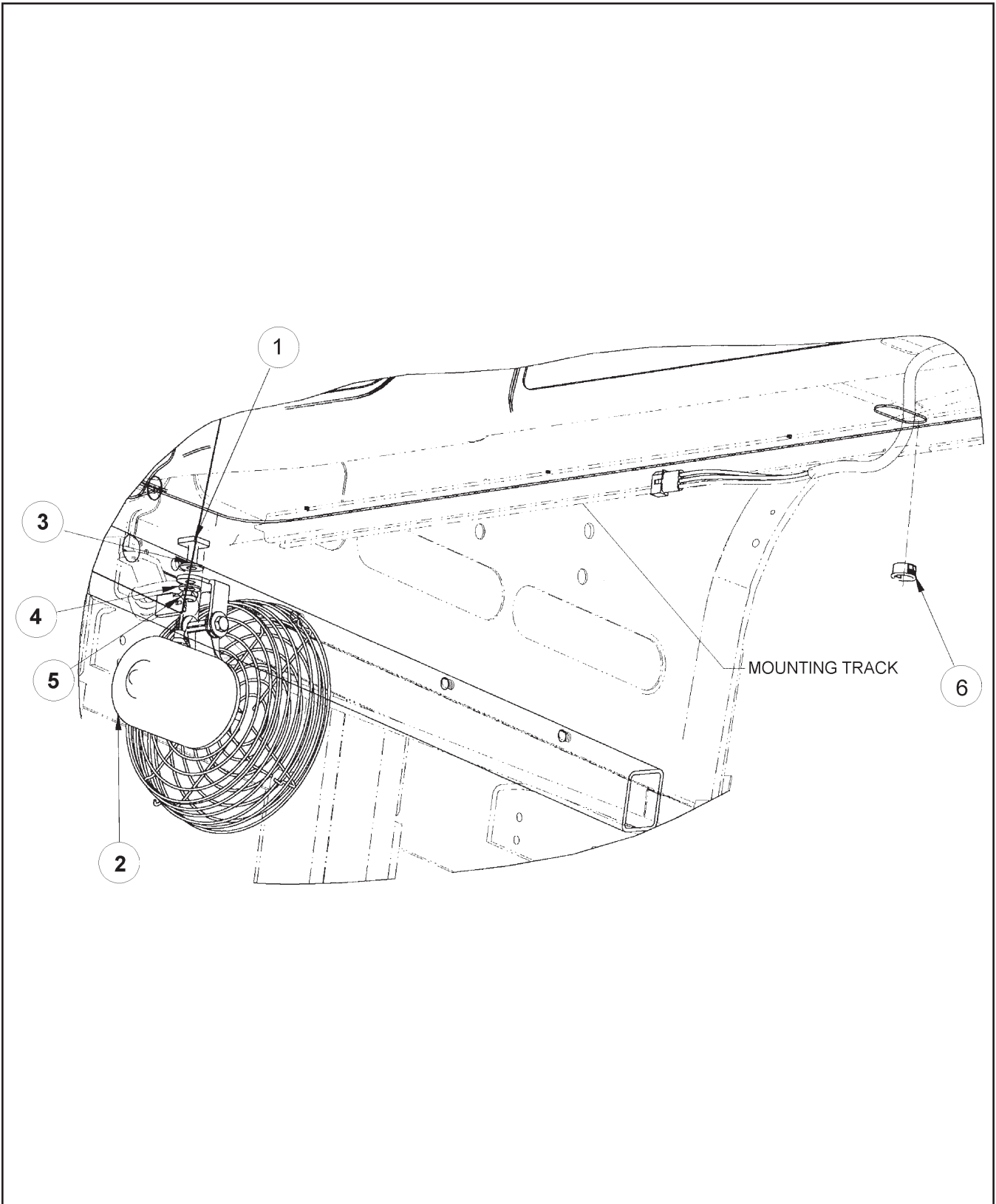
Sales / Data Code	Item Ref. Number	Description	Major Group
D1015XXXXX	1	Label - Emergency Override, Air Operated Door, English	Accessories
	2	Label - Emergency Override, Air Operated Door, French	
	3	Label - Emergency Exit Push Here, AG2 Ent. Door, English	
	4	Label - Emergency Exit Push Here, AG2 Ent. Door, French	



# C2 PARTS REFERENCE MANUAL

Interior

D1054XXXXX - Fan- Defroster,  
Circular Mount, W/S Header





# C2 PARTS REFERENCE MANUAL

Interior

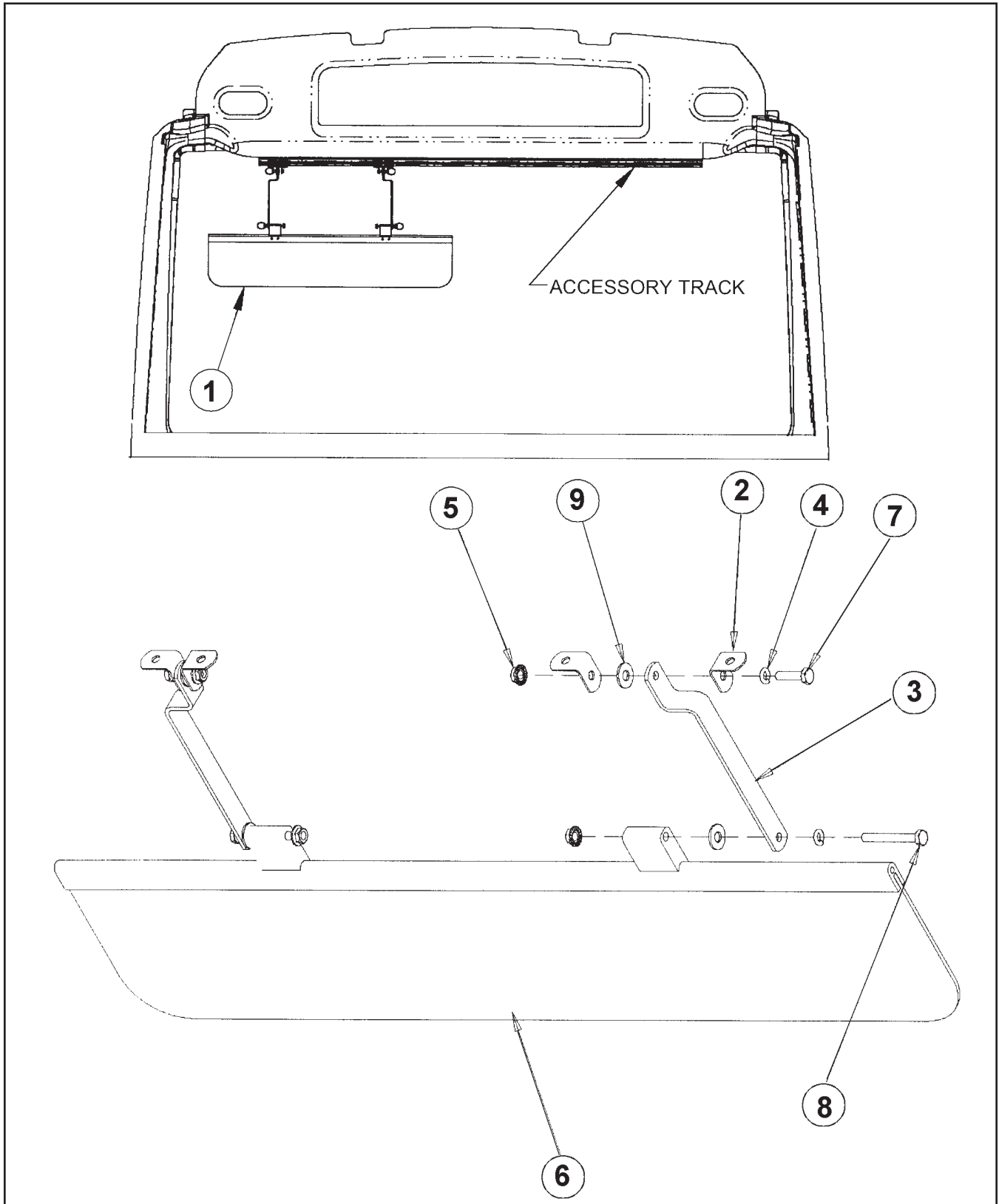
D1054XXXXX - Fan - Defroster,  
Circular Mount, W/S Header

Sales / Data Code	Item Ref. Number	Description	Major Group
D1054XXXXX	1	T-Bolt - Accessory Track	Accessories
	2	Defroster Fan Assembly	
	3	Washer - Nylon	
	4	Washer - Flat, 5/16	
	5	Locknut - Elastic, 5/16 - 18	
	6	Bushing - Snap	
	Not Shown:	Fuse - Mini, Blade Style, 5 Amp Relay - Micro, SPST 20A	



# C2 PARTS REFERENCE MANUAL

Interior  
D1064XXXXX & D1065XXXXX  
Visor - Driver's





# C2 PARTS REFERENCE MANUAL

Interior

D1064XXXXX & D1065XXXXX

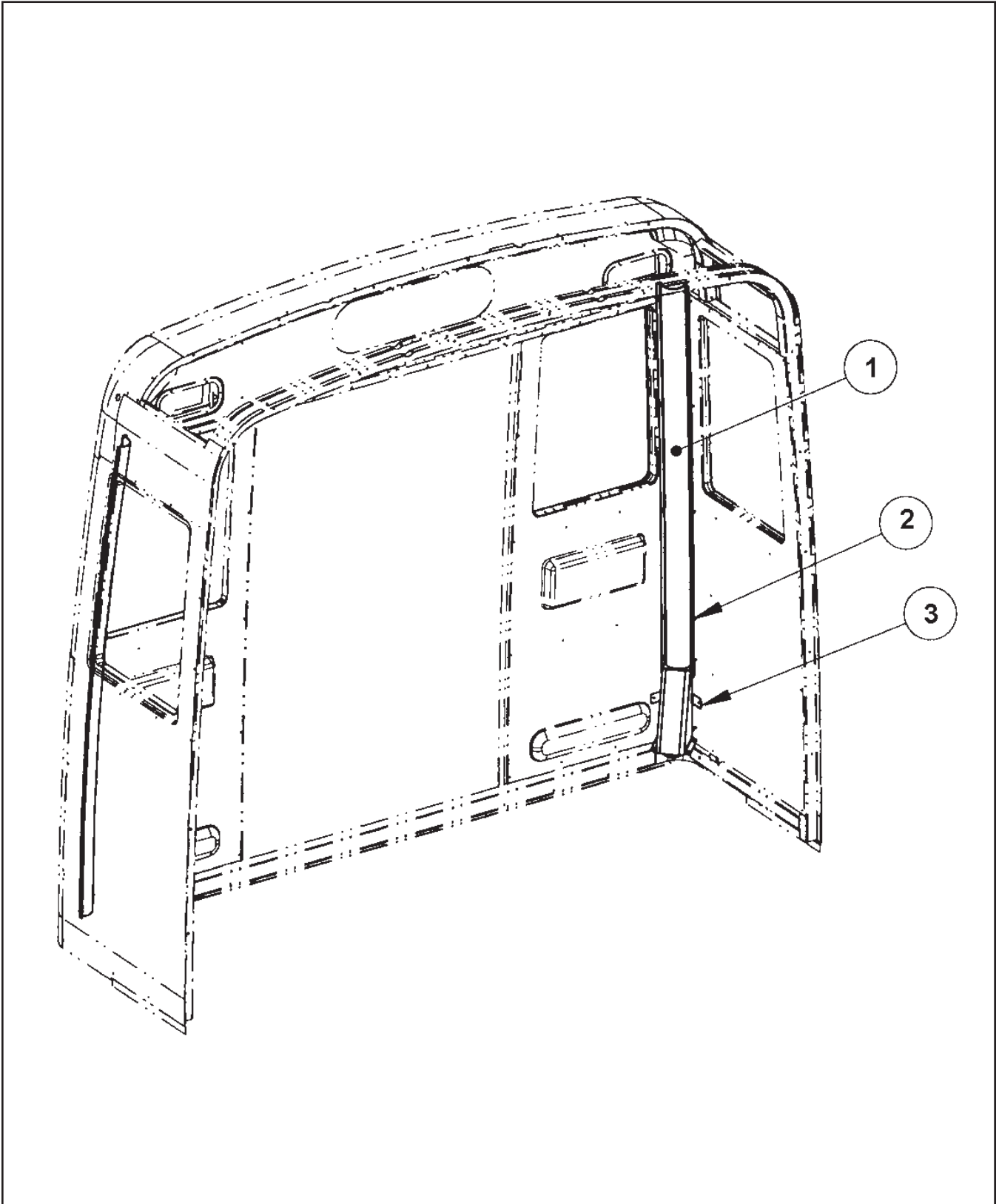
Visor - Driver's

Sales / Data Code	Item Ref. Number	Description	Major Group
D1064/ D1065	1	Visor - Asm.- 6 x 30 (Includes items 2 - 9)	Accessories
	2	Foot - Sun Visor	
	3	Arm - Sun Visor	
	4	Lockwasher - Split, 1/4" ID x 1/2" OD	
	5	Flange Nut - 1/4 - 20	
	6	Visor - W/ Pivot Blocks	
	7	Bolt - 1/4 - 20 x .75	
	8	Bolt - 1/4 - 20 x 2.00	
	9	Washer - Nylon, 5/16 ID x 3/4 OD x 1/16 THK.	



# C2 PARTS REFERENCE MANUAL

Interior  
D1136XXXXX - A/C  
Evaporator Trim, Rear





# C2 PARTS REFERENCE MANUAL

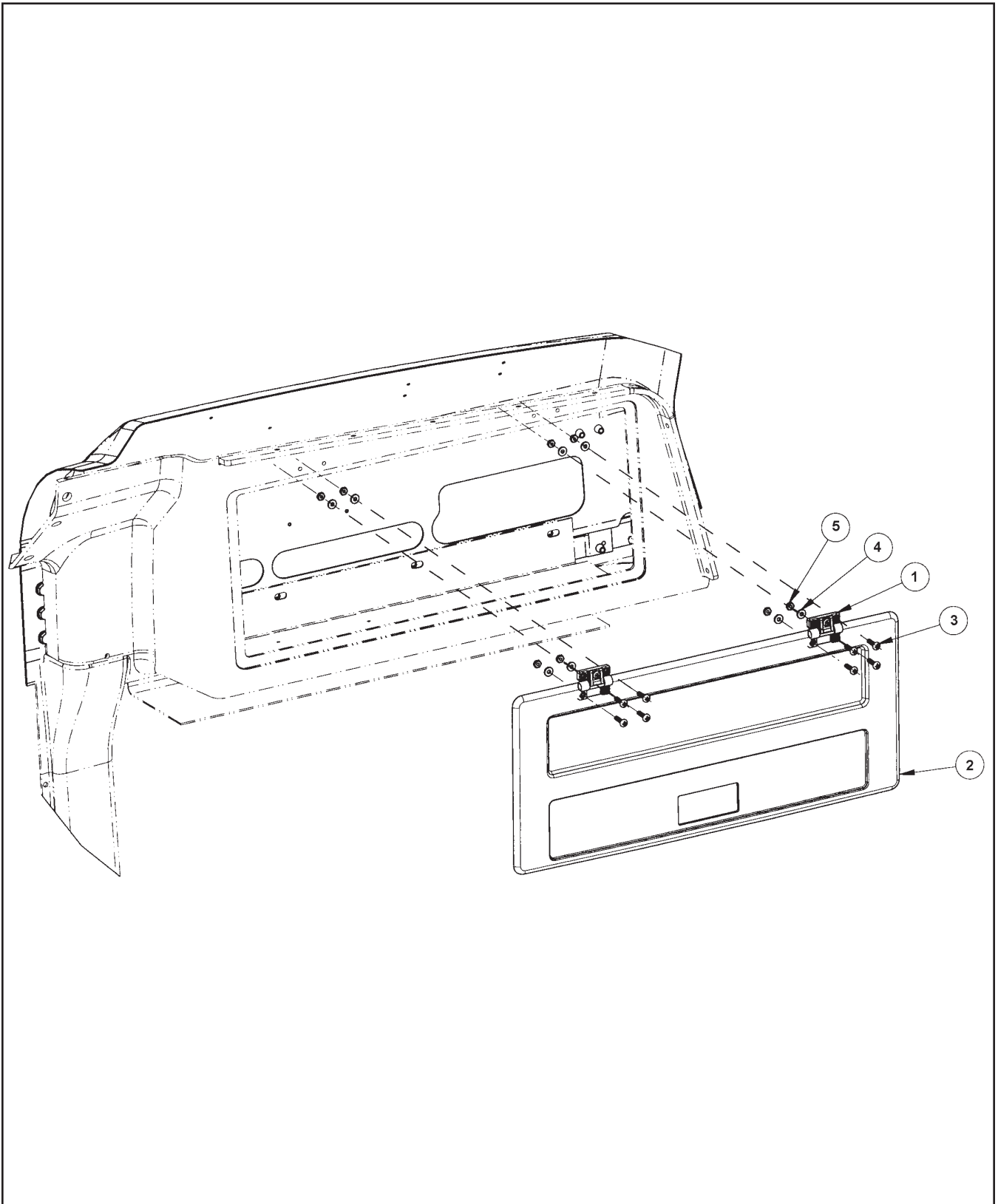
Interior  
D1136XXXXX - A/C  
Evaporator Trim, Rear

Sales / Data Code	Item Ref. Number	Description	Major Group
D1136XXXXX	1	Cover - A/C Hose	Accessories
	2	Tapping Screw	
	3	Trim - Rear A/C, Floor Interface	



# C2 PARTS REFERENCE MANUAL

Interior  
D1230XXXXX - Storage Box  
Overhead







# C2 PARTS REFERENCE MANUAL

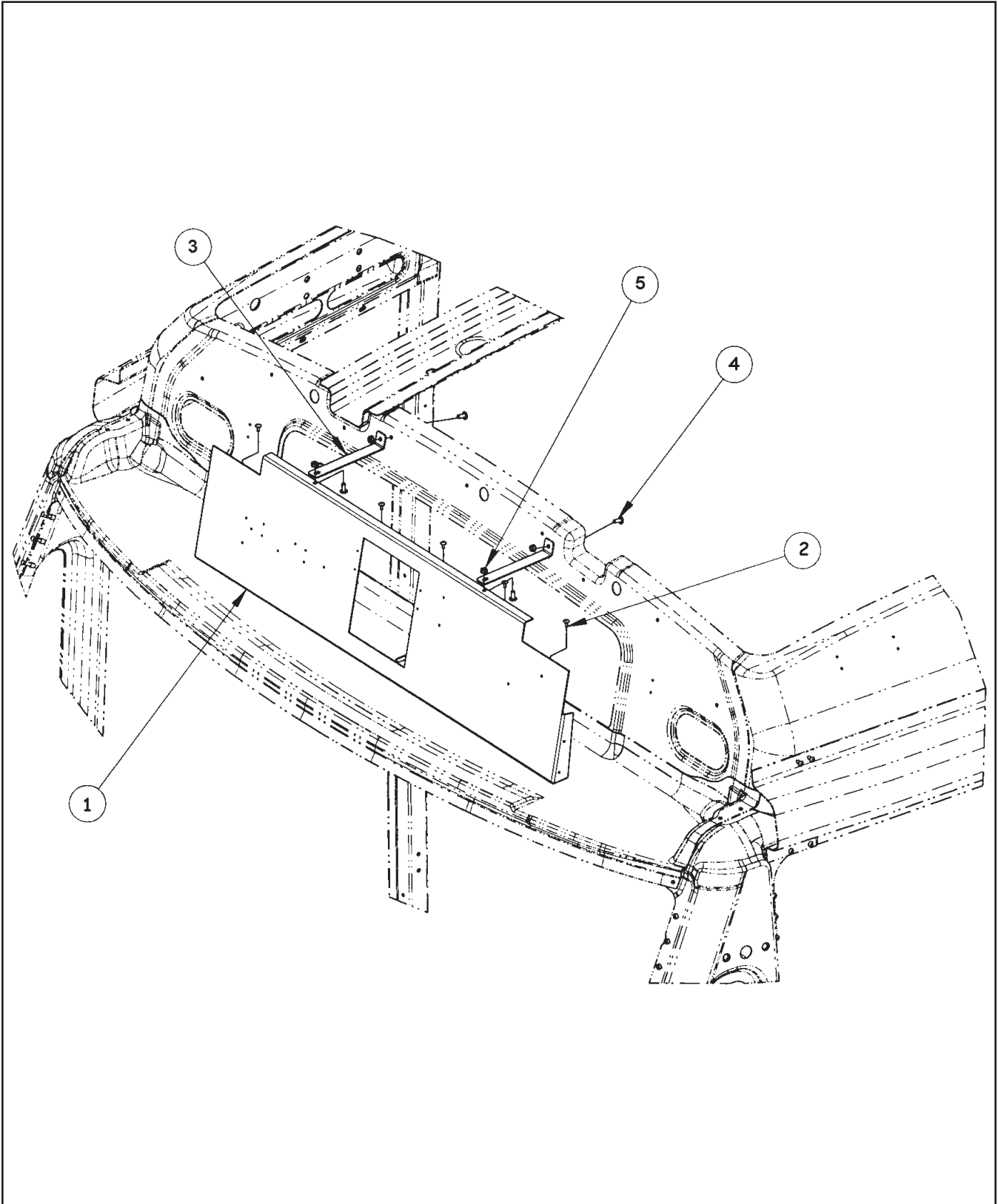
Interior  
D1230XXXXX - Storage Box  
Overhead

Sales / Data Code	Item Ref. Number	Description	Major Group
D1230XXXXX	1	Hinge - Overhead Storage Door	Doors
	2	Door - Storage Box	
	3	Screw - Pan Head	
	4	Washer - Flat	
	5	Locknut - Nylon	



# C2 PARTS REFERENCE MANUAL

Interior  
D1256XXXX Panel - ACC Mtg.,  
Safety Equipment





# C2 PARTS REFERENCE MANUAL

Interior

D1256XXXXX Panel - ACC Mtg.,  
Safety Equipment

Sales / Data Code	Item Ref. Number	Description	Major Group
D1256XXXXX	1	Accessory Panel - Front, Overhead	Accessories
	2	Screw - Truss Head	
	3	Brace - Accessory Panel	
	4	Screw - 1/4-20 x 5/8	
	5	Nut - Toothed, Conical	

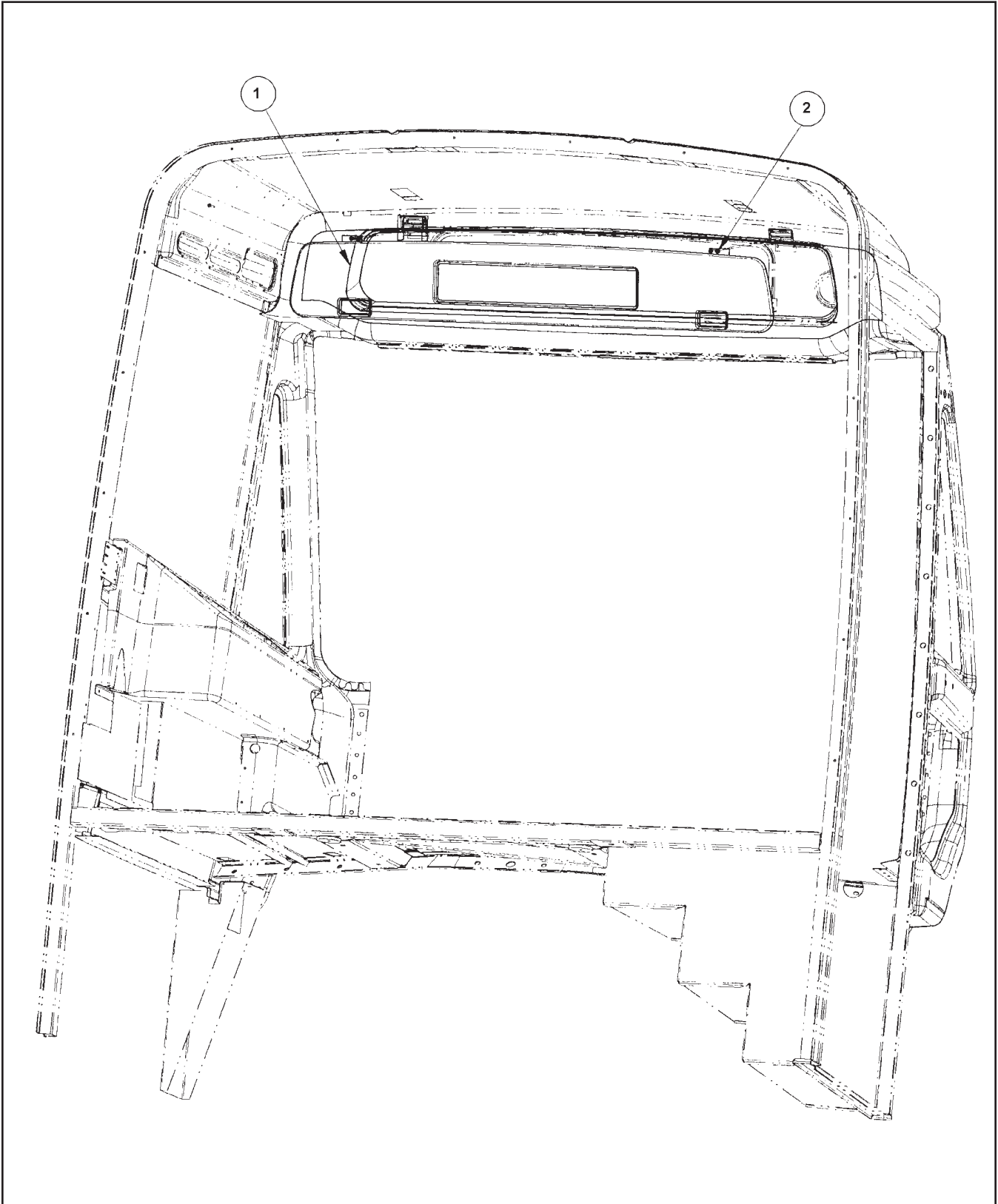


# C2 PARTS REFERENCE MANUAL

Interior

D3006XXXXX - Accessory Compt.

Door with Glass





# C2 PARTS REFERENCE MANUAL

Interior

D3006XXXXX - Accessory Compt.

Door with Glass

Sales / Data Code	Item Ref. Number	Description	Major Group
D3006XXXXX	1	Door - Front Accessory Compt.	Doors
	2	Screw - Tapping, #10	

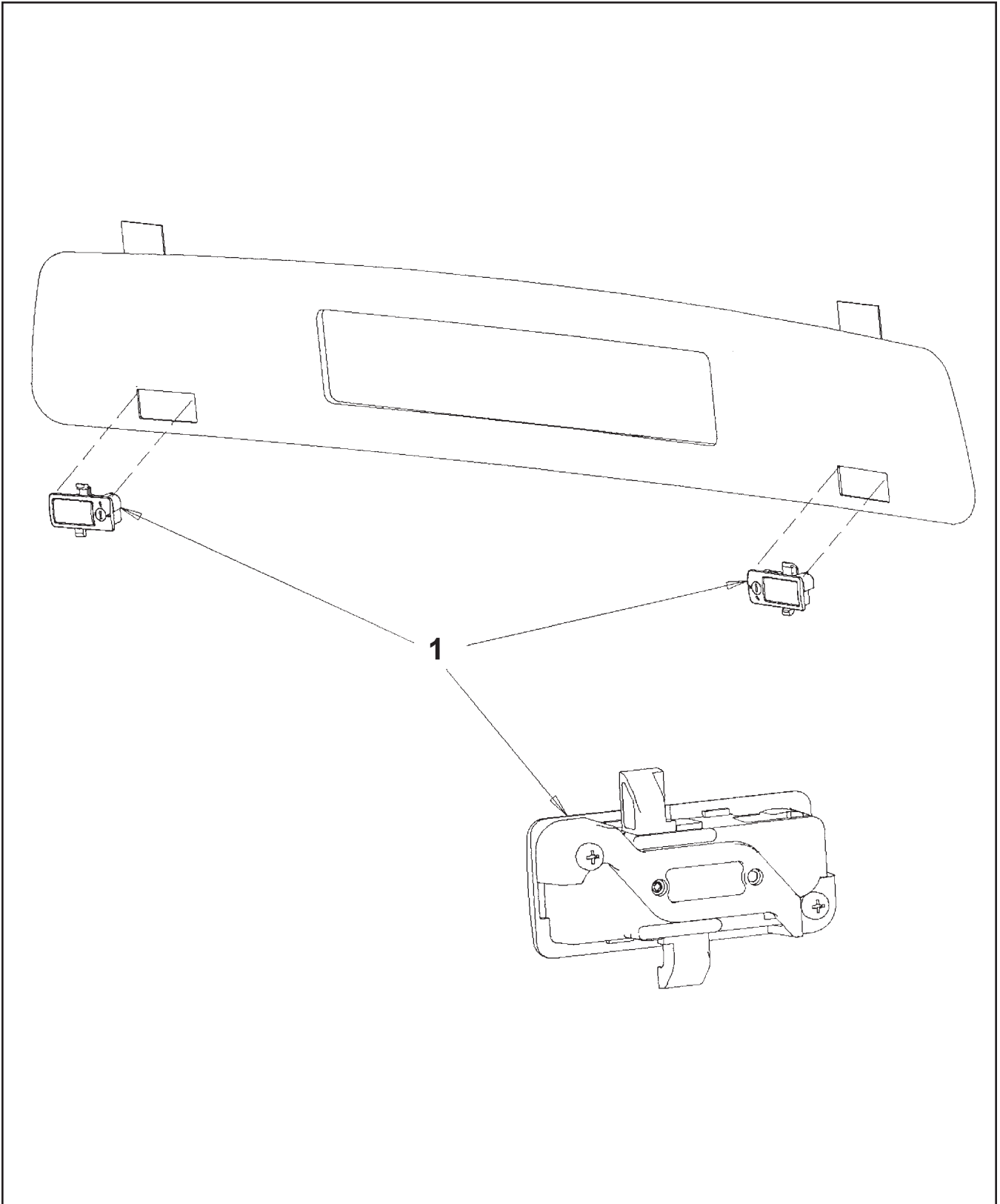


# C2 PARTS REFERENCE MANUAL

Interior

D3008XXXXX - Latch - Storage Compt.

Door, Over W/S





# C2 PARTS REFERENCE MANUAL

Interior

D3008XXXXX - Latch - Storage Compt.

Door, Over W/S

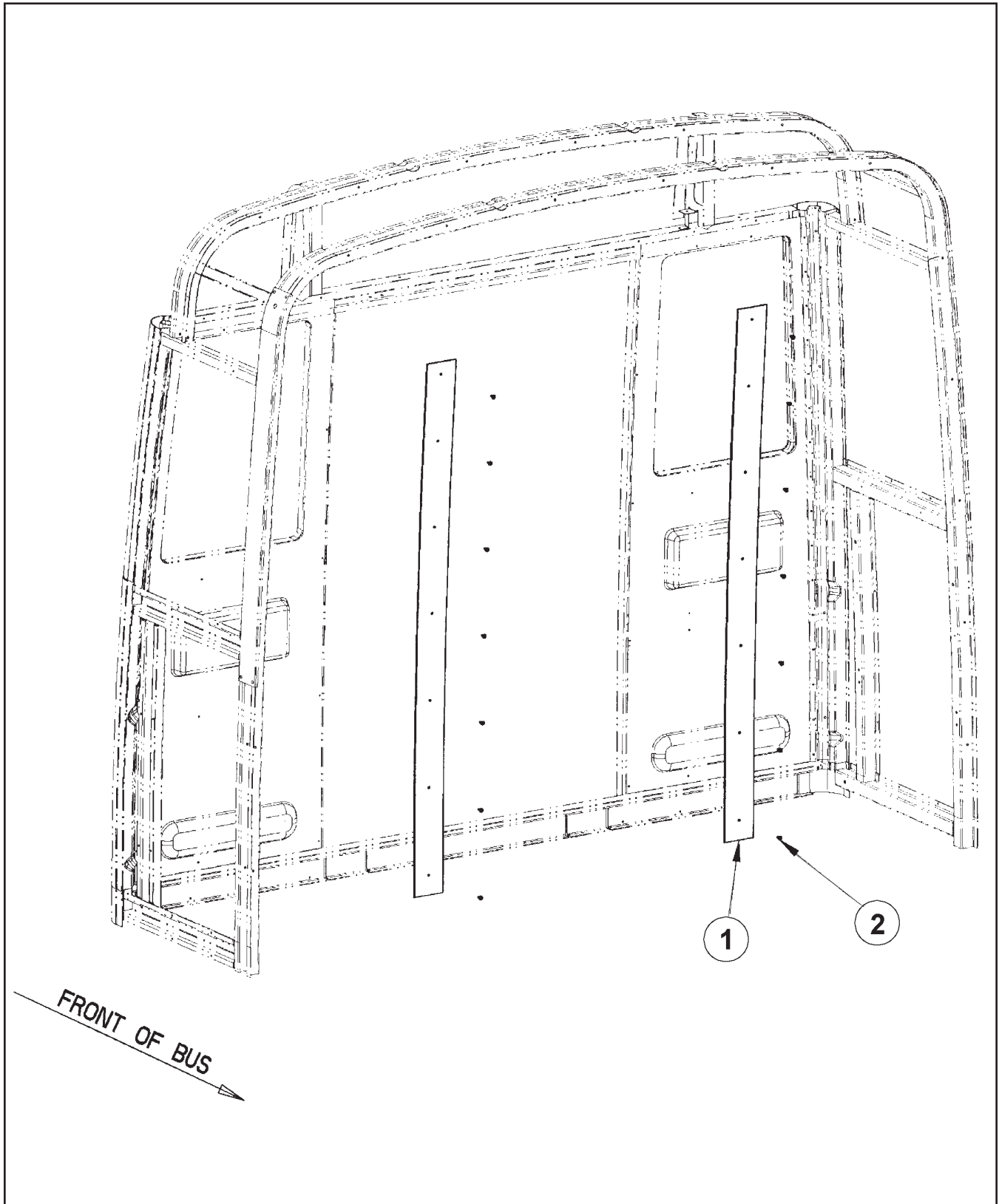
Sales / Data Code	Item Ref. Number	Description	Major Group
D3008XXXXX	1	Latch - Accessory Compartment Door	Doors



# C2 PARTS REFERENCE MANUAL

Interior

D3014XXXXX - Trim - Rear Door







# C2 PARTS REFERENCE MANUAL

Interior

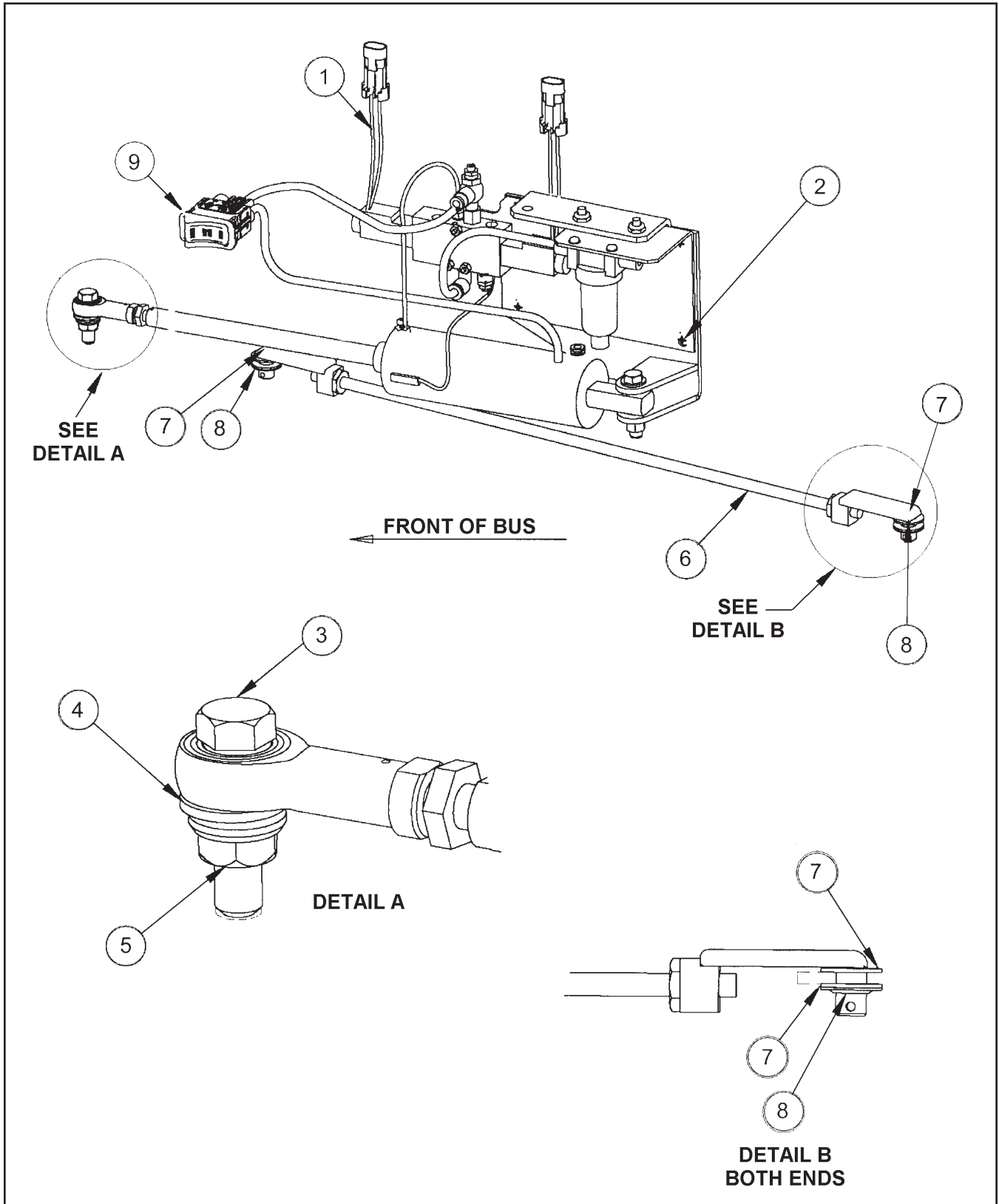
D3014XXXXX - Trim - Rear Door

Sales / Data Code	Item Ref. Number	Description	Major Group
D3014XXXXX	1 2 Ref	Trim - Rear Emergency Door Screw - Tapping, Pan Head Adhesive / Sealant - Black	Doors



# C2 PARTS REFERENCE MANUAL

Interior  
D3024XXXXX - Power System  
Entrance Door, Air, AG2





# C2 PARTS REFERENCE MANUAL

Interior

D3024XXXXX - Power System

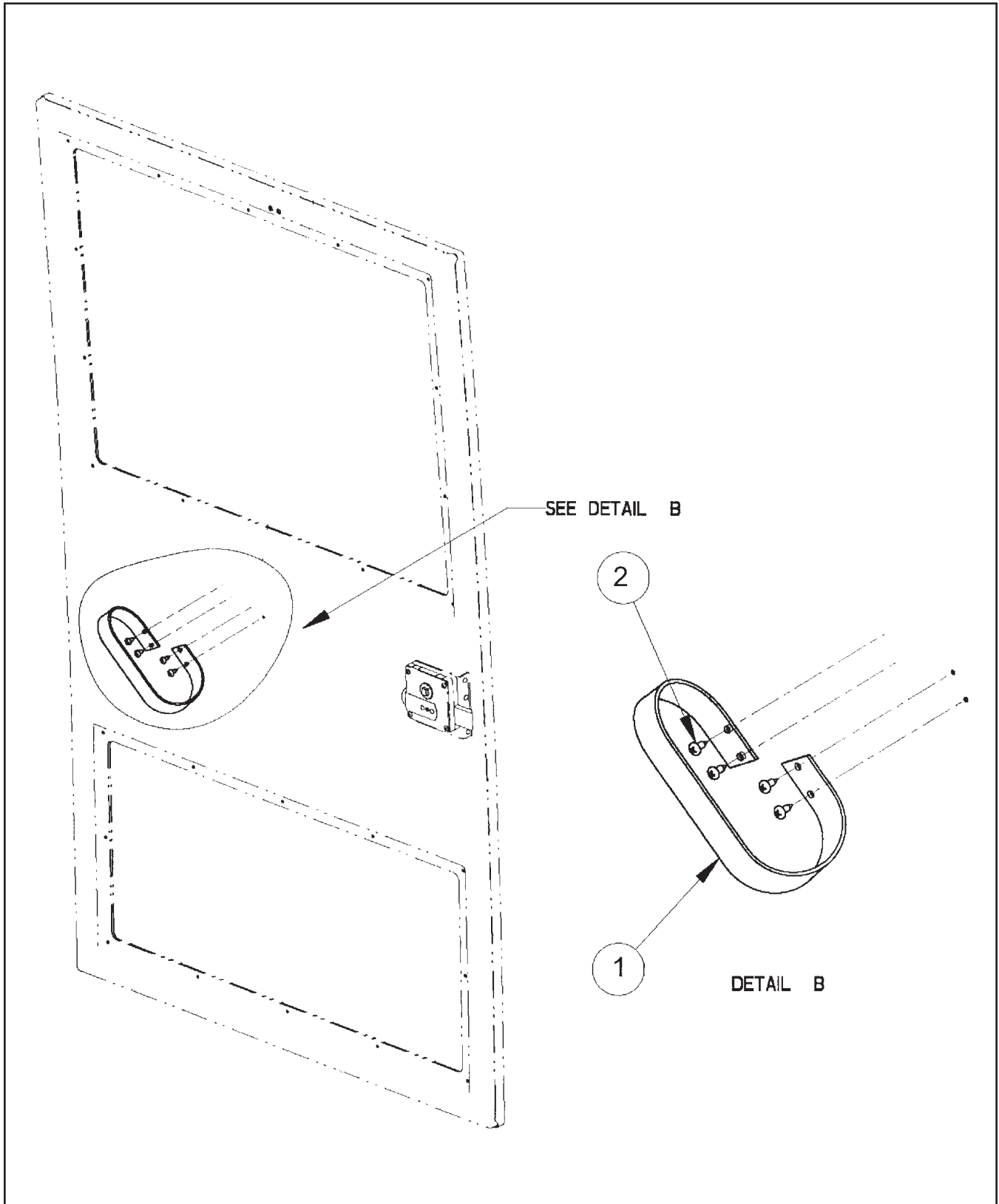
Entrance Door, Air, AG2

Sales / Data Code	Item Ref. Number	Description	Major Group
D3024XXXXX	1	Air Mechanism Sub Assembly	Doors
	2	Screw - 1/4" x 3/4"	
	3	Bolt - Hex Head	
	4	Washer - Flat, 5/16"	
	5	Locknut	
	6	Clevis Rod End, Secondary Linkage	
	7	Washer - Flat, Nylon	
	8	Push Clip	
	9	Rocker Valve, Penumatic	
	Ref	Tubing - Nylon, 1/4" OD, Black	
	Ref	Tubing - Nylon, 1/4" OD, Silver	



# C2 PARTS REFERENCE MANUAL

Interior  
D3029XXXXX - Latch - Single Point,  
Rear Emergency Door





# C2 PARTS REFERENCE MANUAL

Interior

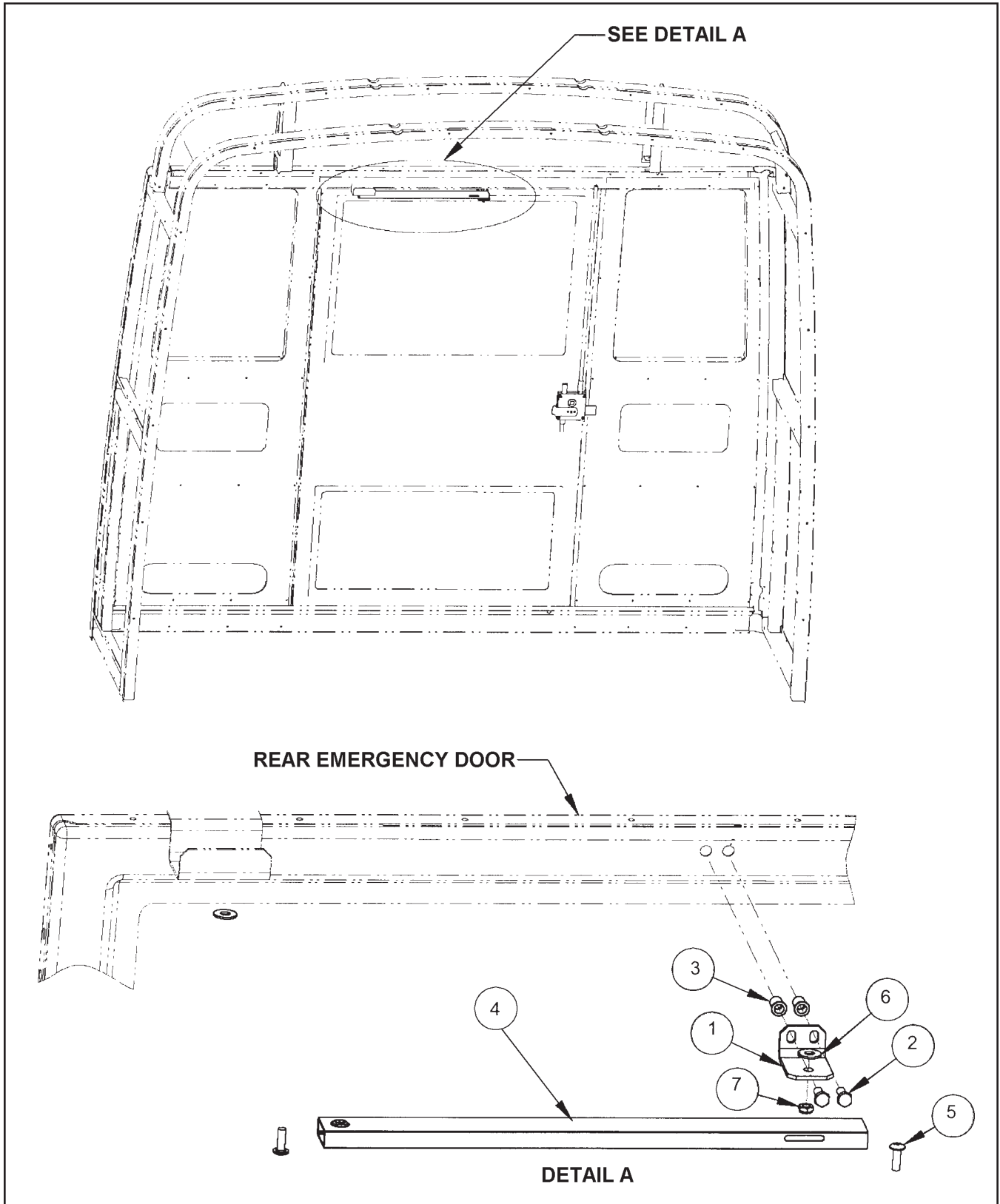
D3029XXXXX - Latch - Single Point,  
Rear Emergency Door

Sales / Data Code	Item Ref. Number	Description	Major Group
D3029XXXXX	1	Guard - Rear Interior Emergency Door	Doors
	2	Tapping Screw - #12 x .63L Pan Head	



# C2 PARTS REFERENCE MANUAL

Interior  
D3030XXXXX - Stop - Rear,  
Emergency Door





# C2 PARTS REFERENCE MANUAL

Interior

D3030XXXXX - Stop - Rear,  
Emergency Door

Sales / Data Code	Item Ref. Number	Description	Major Group
D3030XXXXX	1	Mount - Side Door	Doors
	2	Bolt - Hex Head, 1/4 x 20 x 3/4	
	3	Insert - Threaded	
	4	Prop - Telescopic	
	5	Bolt - Hex Head, 1/4 - 20 x 3/4	
	6	Washer - Nylon	
	7	Locknut - Hex, 14 - 20	

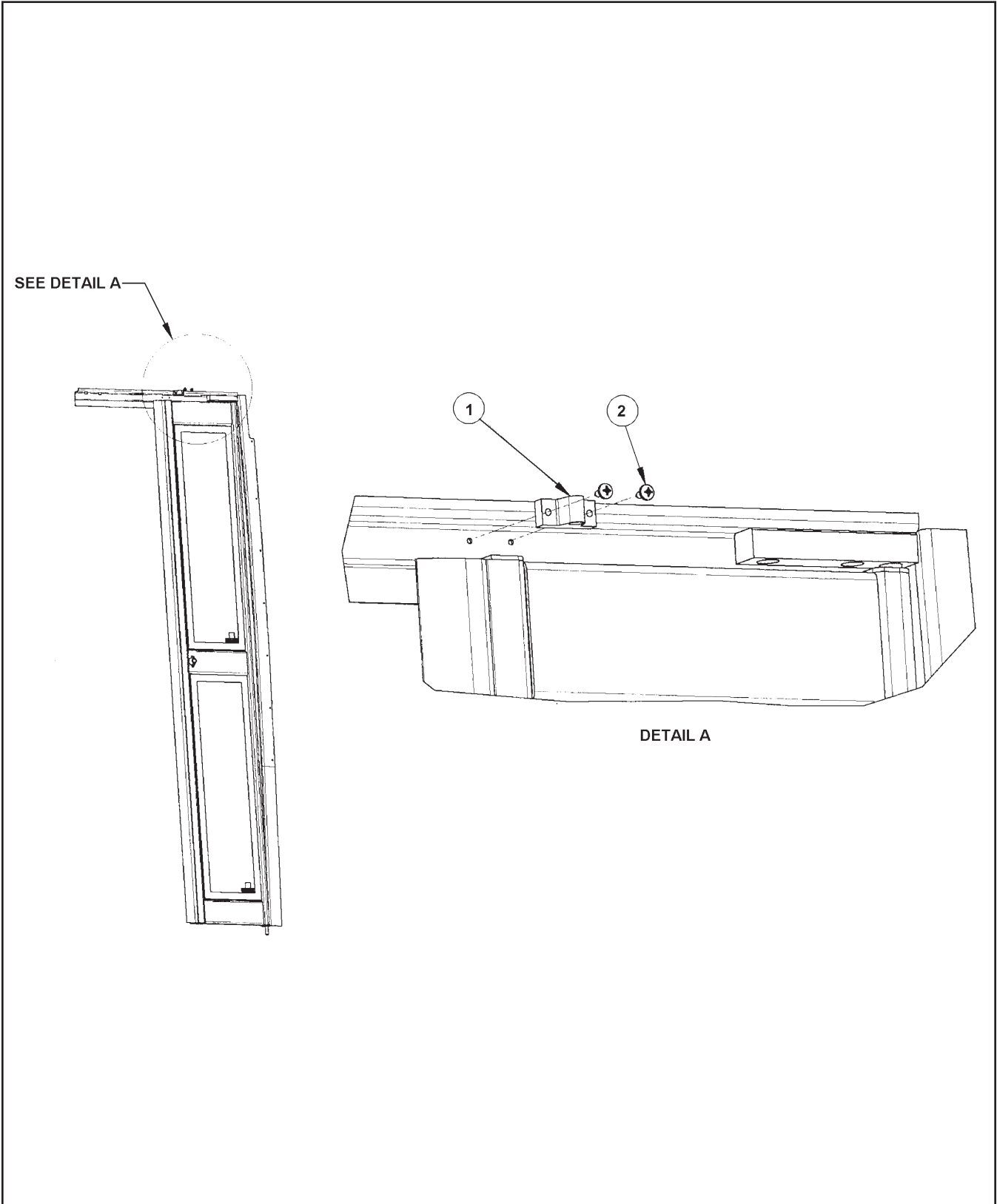


# C2 PARTS REFERENCE MANUAL

Interior

D3039XXXXX - Vandalock - Aluminum

Entrance Door Cylinder with Key







# C2 PARTS REFERENCE MANUAL

Interior

D3039XXXXX - Vandalock - Aluminum  
Entrance Door Cylinder with Key

Sales / Data Code	Item Ref. Number	Description	Major Group
D3039XXXXX	1	Receptacle - Lock Rod, Vandalock	Doors
	2	Screw - Tapping, #10	

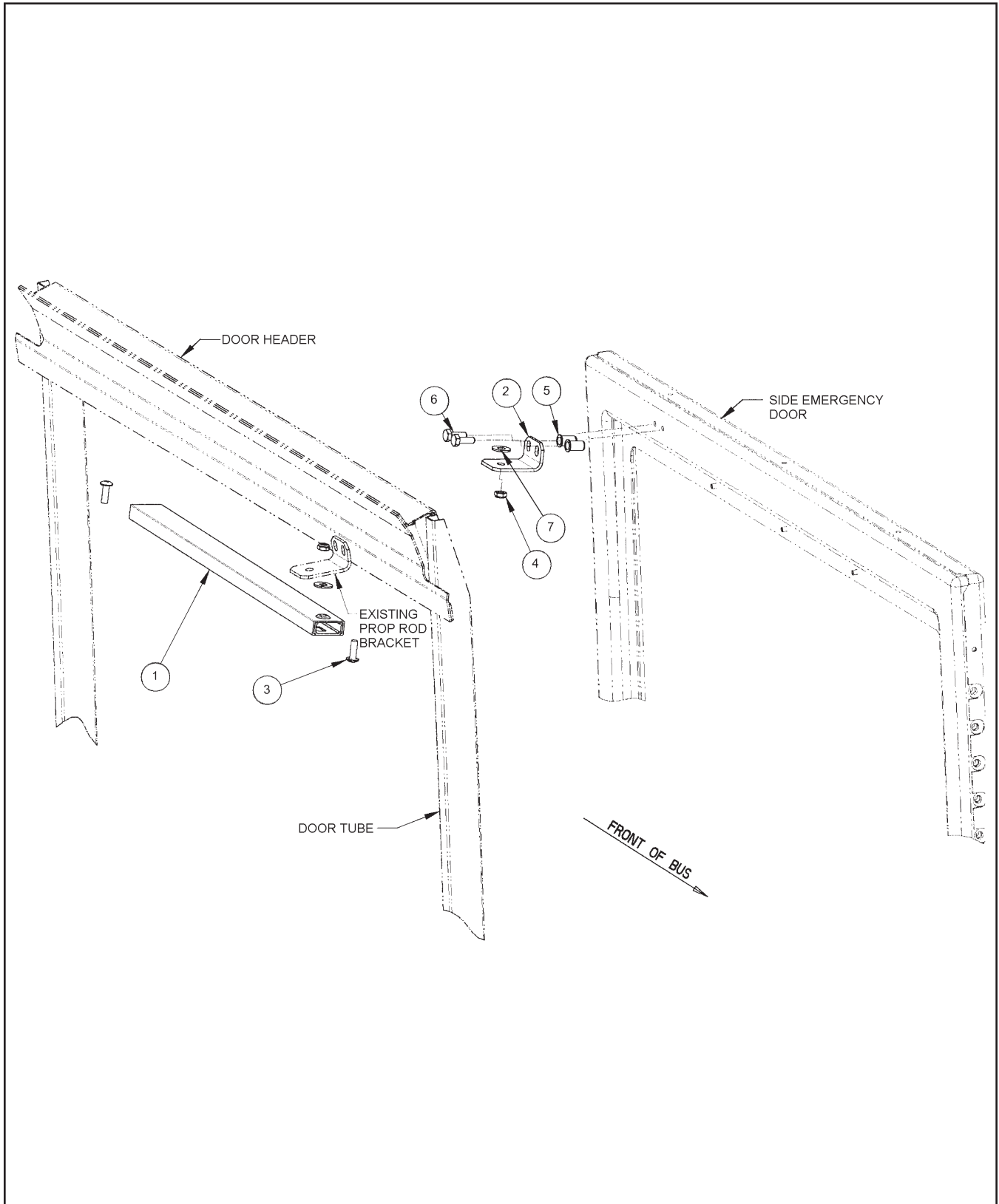


# C2 PARTS REFERENCE MANUAL

Interior

D3066XXXXX & D3067XXXXX

Stop - Side Door, Telescoping





# C2 PARTS REFERENCE MANUAL

Interior

D3066XXXXX & D3067XXXXX

Stop - Side Door, Telescoping

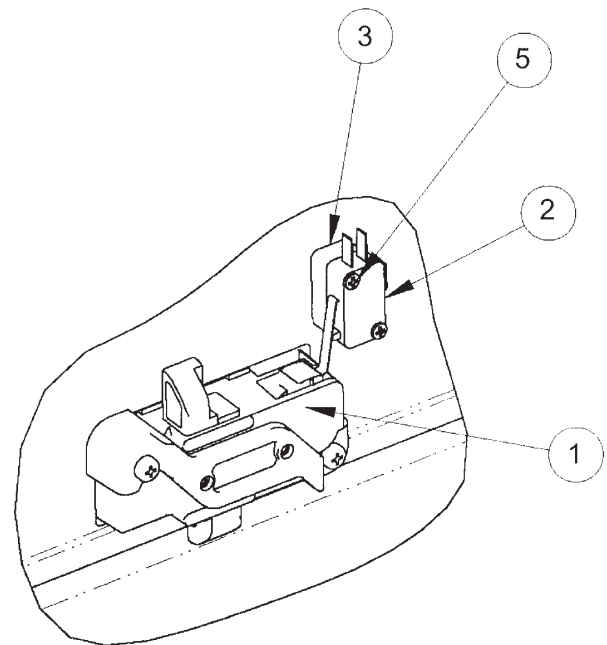
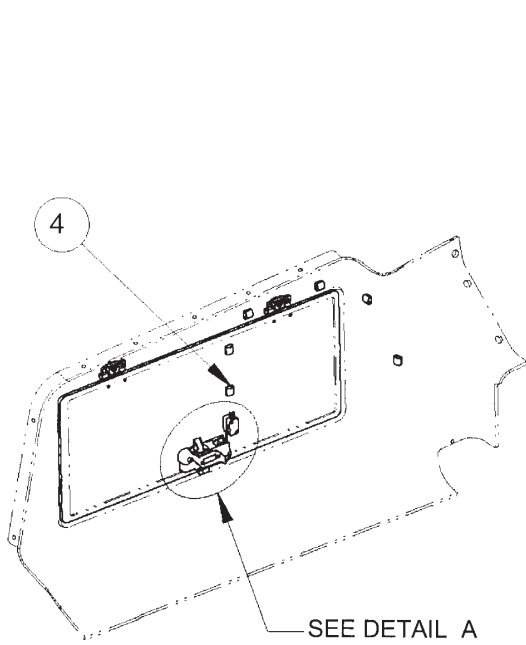
Sales / Data Code	Item Ref. Number	Description	Major Group
D3066 & D3067	1	Prop - Telescopic	Doors
	2	Mount - Side Door	
	3	Bolt - 1/4 - 20 x 3/4", SAE Grade 5	
	4	Locknut - Hex, 1/4 - 20	
	5	Insert - Threaded	
	6	Bolt - Hex Head, 1/4 - 20 x 3/4	
	7	Washer - Nylon	



# C2 PARTS REFERENCE MANUAL

Interior

D3090XXXXX - Lock - Door, Interior  
Storage, Over Driver's Header





# C2 PARTS REFERENCE MANUAL

Interior

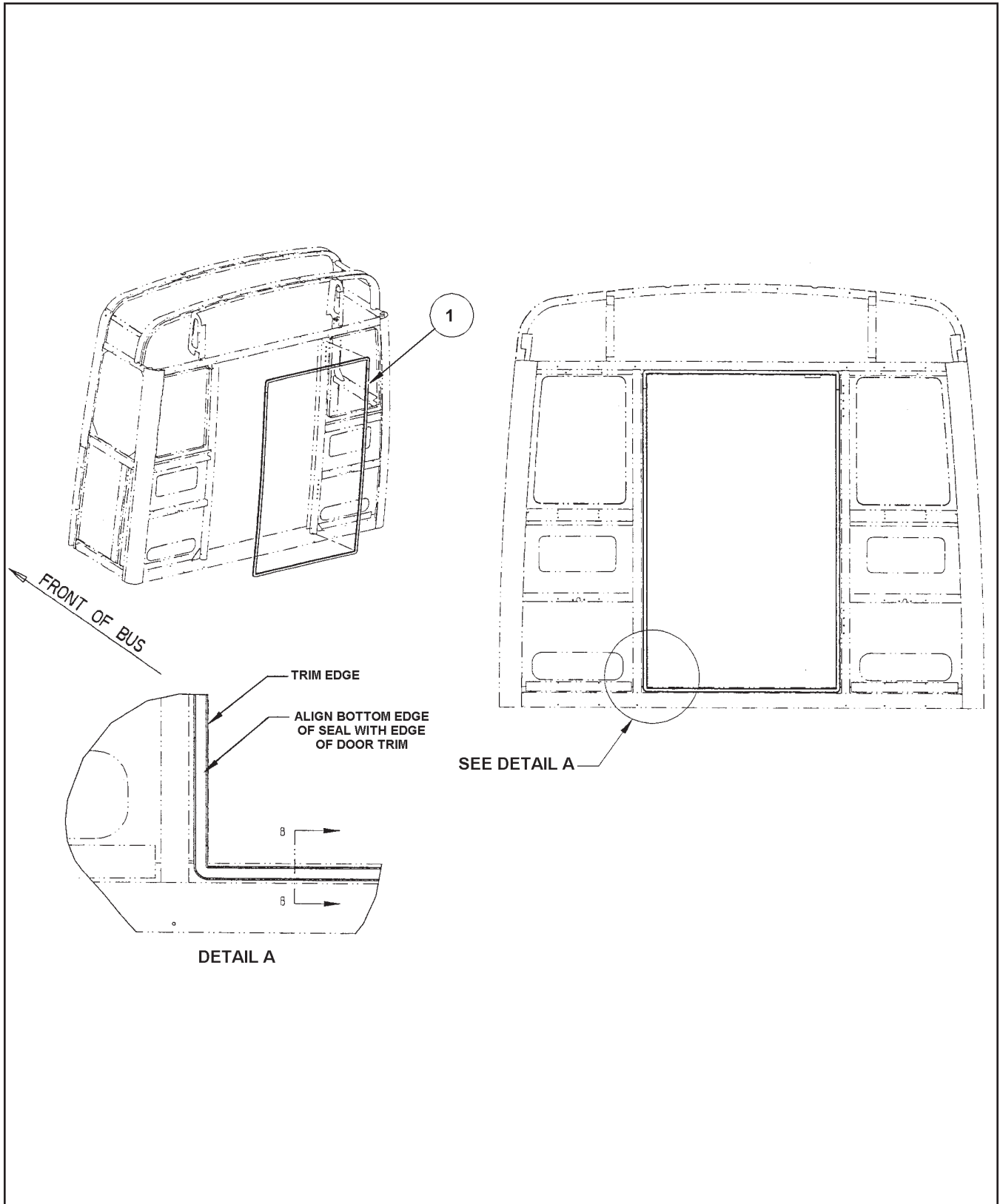
D3090XXXXX - Lock - Door, Interior  
Storage, Over Driver's Header

Sales / Data Code	Item Ref. Number	Description	Major Group
D3090XXXXX	1	Latch	Doors
	2	Micro Switch	
	3	Mounting Block - Switch	
	4	Clip - Mounting, Self-Closing	
	5	Screw - Tapping, #4 x 5/8"	



# C2 PARTS REFERENCE MANUAL

Interior  
D3092XXXXX - Seal - Rear  
Emergency Door





# C2 PARTS REFERENCE MANUAL

Interior

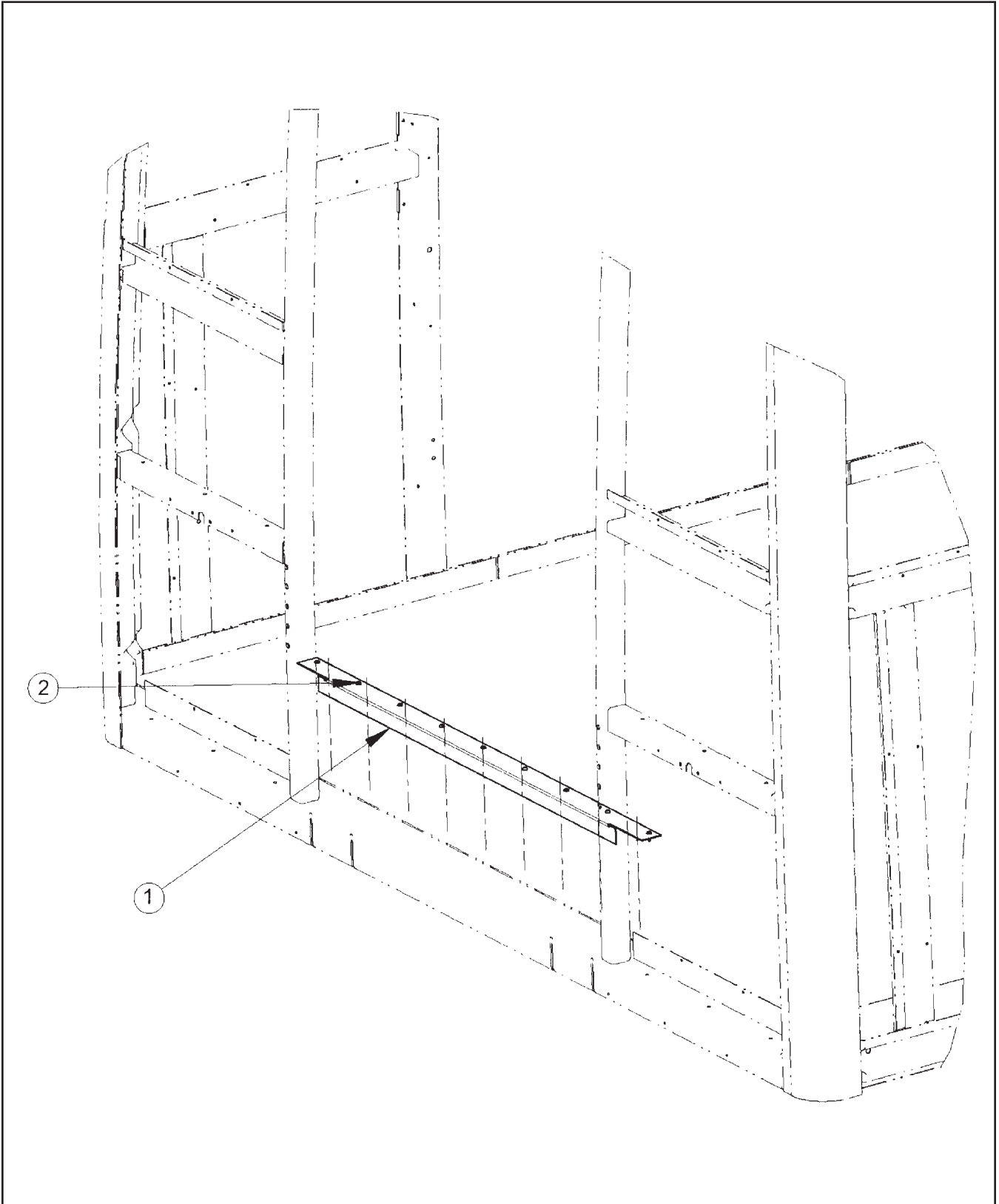
D3092XXXXX - Seal - Rear  
Emergency Door

Sales / Data Code	Item Ref. Number	Description	Major Group
D3092XXXXX	1	Seal - Rear Emergency Door	Doors



# C2 PARTS REFERENCE MANUAL

Interior  
D3105XXXXX - Threshold - Rear  
Emergency Door







# C2 PARTS REFERENCE MANUAL

Interior

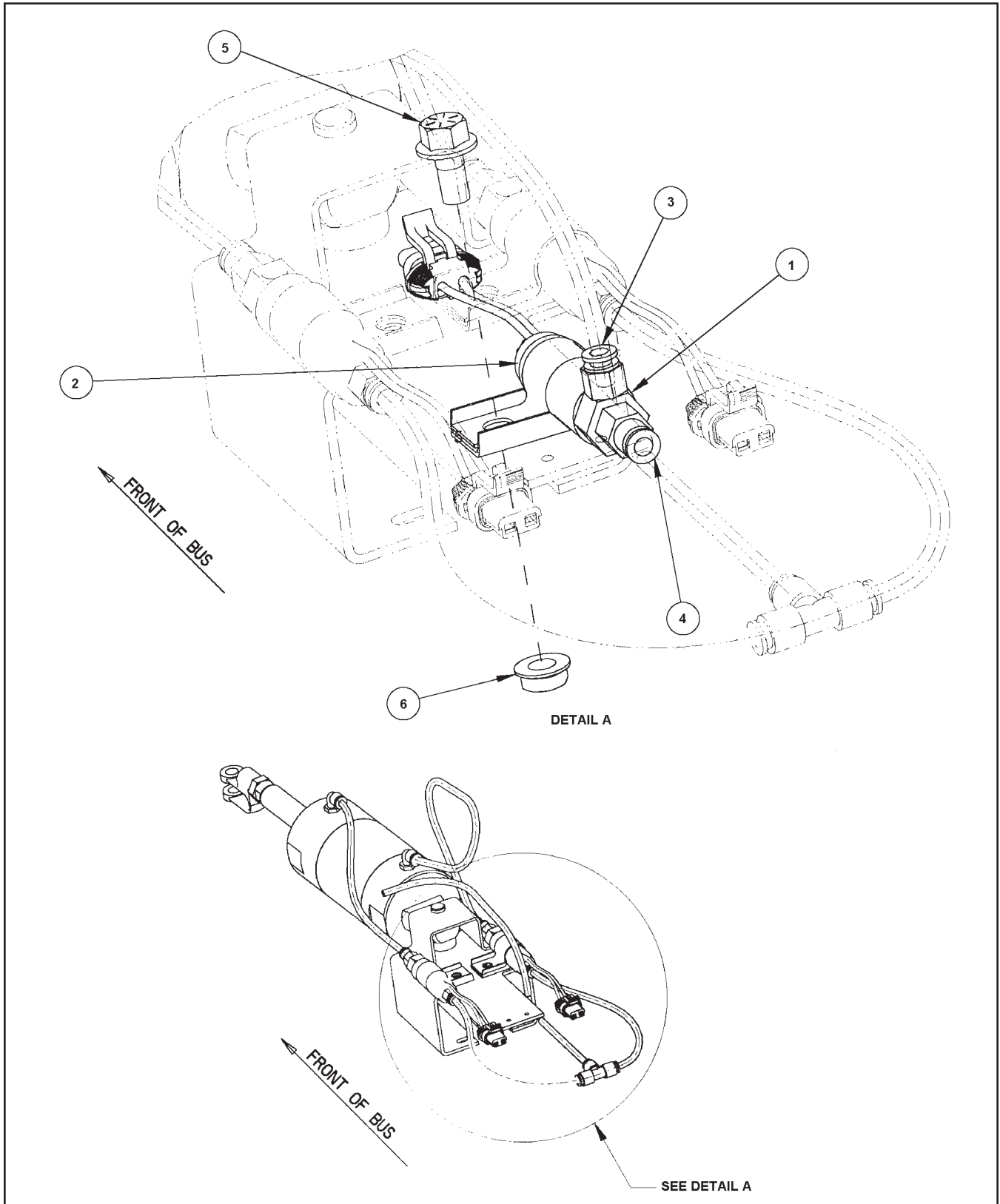
D3105XXXXX - Threshold - Rear  
Emergency Door

Sales / Data Code	Item Ref. Number	Description	Major Group
D3105XXXXX	1	Threshold - Rear Emergency Door	Doors
	2	Screw - Truss Head	



# C2 PARTS REFERENCE MANUAL

Interior  
D3109XXXXX - Valve - Air  
Door Solenoid





# C2 PARTS REFERENCE MANUAL

Interior

D3109XXXXX - Valve - Air

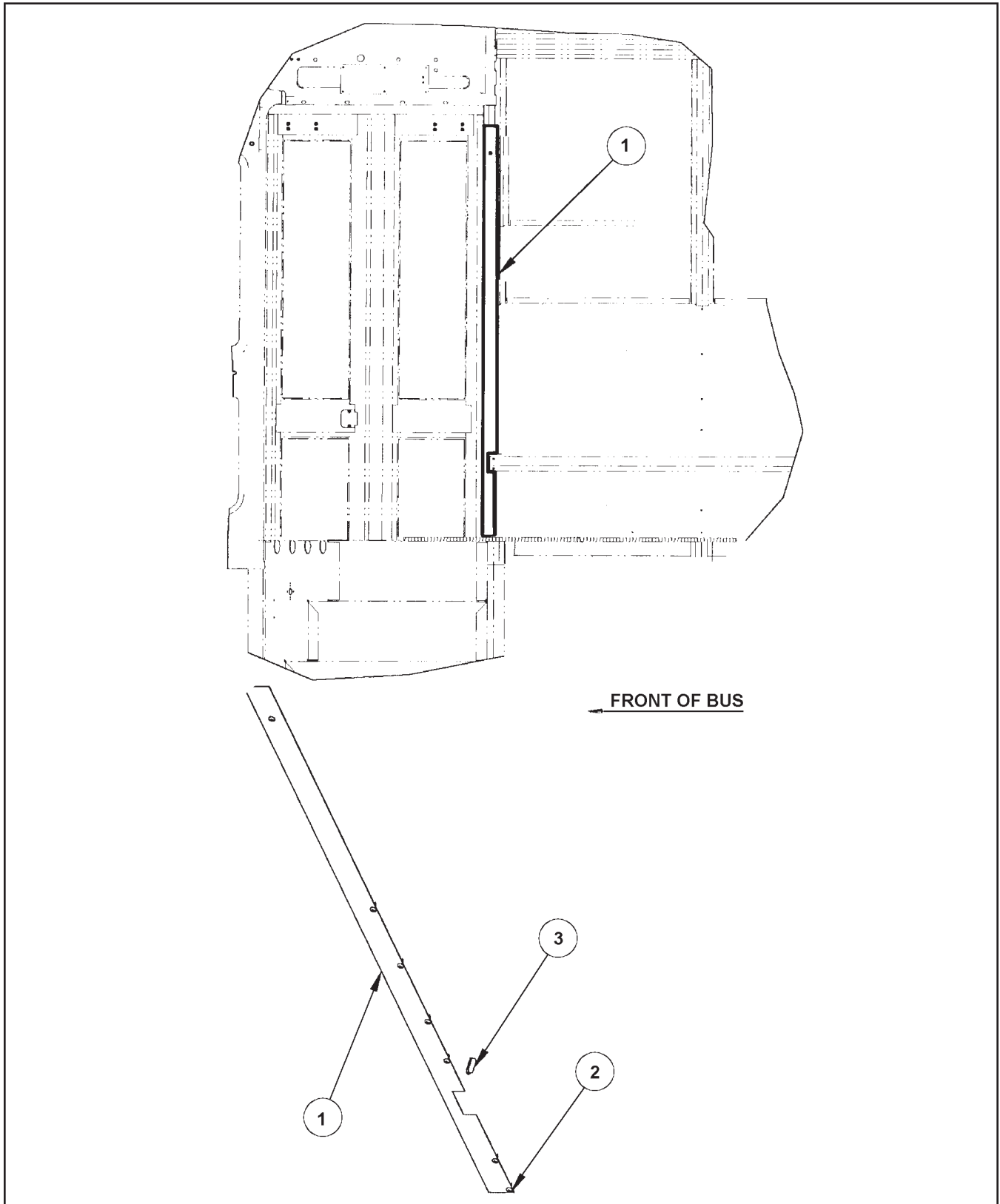
Door Solenoid

Sales / Data Code	Item Ref. Number	Description	Major Group
D3109XXXXX	1	Air Valve - Solenoid	Doors
	2	Muffler - Solenoid	
	3	Connector - Male, Quick Connect Air Fitting	
	4	Connector - Female, Quick Connect Air Fitting	
	5	Bolt - Hex Flange, 3/8 - 16	
	6	Flange Nut - 3/8 - 16	



# C2 PARTS REFERENCE MANUAL

Interior  
D3119XXXXX - Trim - Entrance  
Door Interior





# C2 PARTS REFERENCE MANUAL

Interior

D3119XXXXX - Trim - Entrance

Door Interior

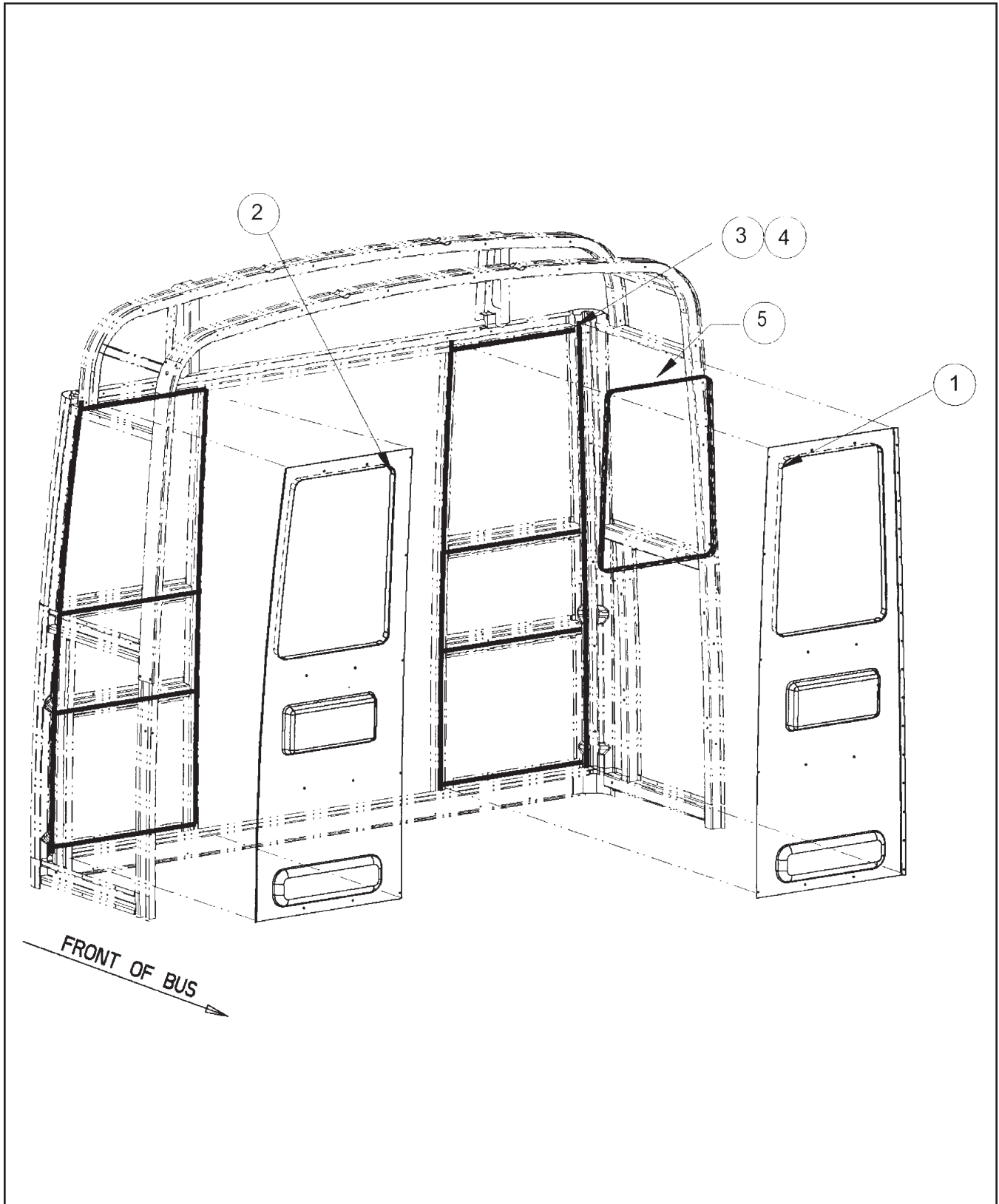
Sales / Data Code	Item Ref. Number	Description	Major Group
D3119XXXXX	1	Door Trim	Doors
	2	Screw - Tapping, #10	
	3	End Cap - Seat Rail	



# C2 PARTS REFERENCE MANUAL

Interior

D6001XXXXX - Panels - Rear End





# C2 PARTS REFERENCE MANUAL

Interior

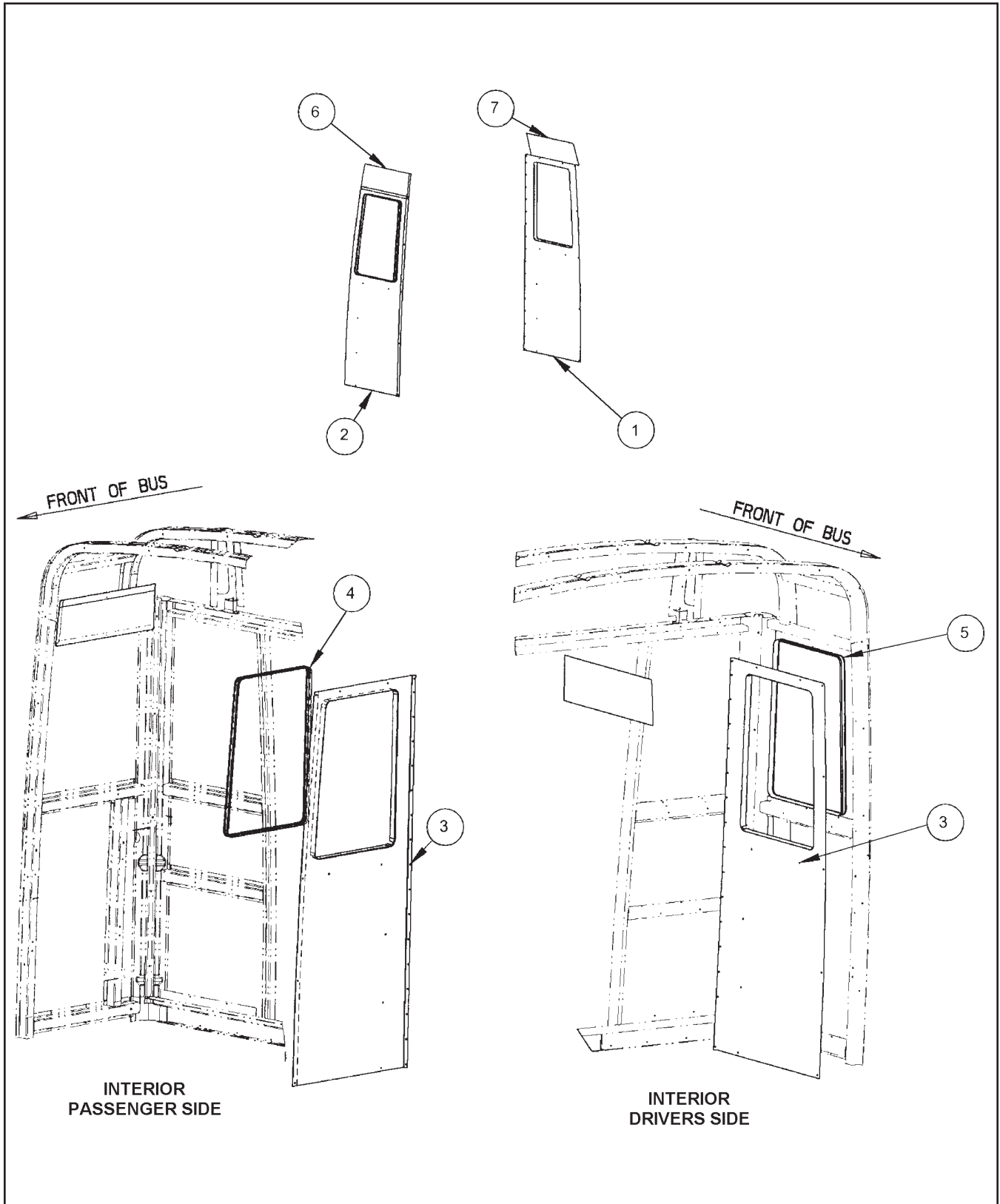
D6001XXXXX - Panels - Rear End

Sales / Data Code	Item Ref. Number	Description	Major Group
D6001XXXXX	1 2 3 4 5	License Sheet - LS License Sheet - RS Activator - Adhesive Adhesive Rubber - Window Edging, Rear Window	



# C2 PARTS REFERENCE MANUAL

Interior  
D6002XXXXX - Panels - Rear End,  
Side







# C2 PARTS REFERENCE MANUAL

Interior

D6002XXXXX - Panels - Rear End,  
Side

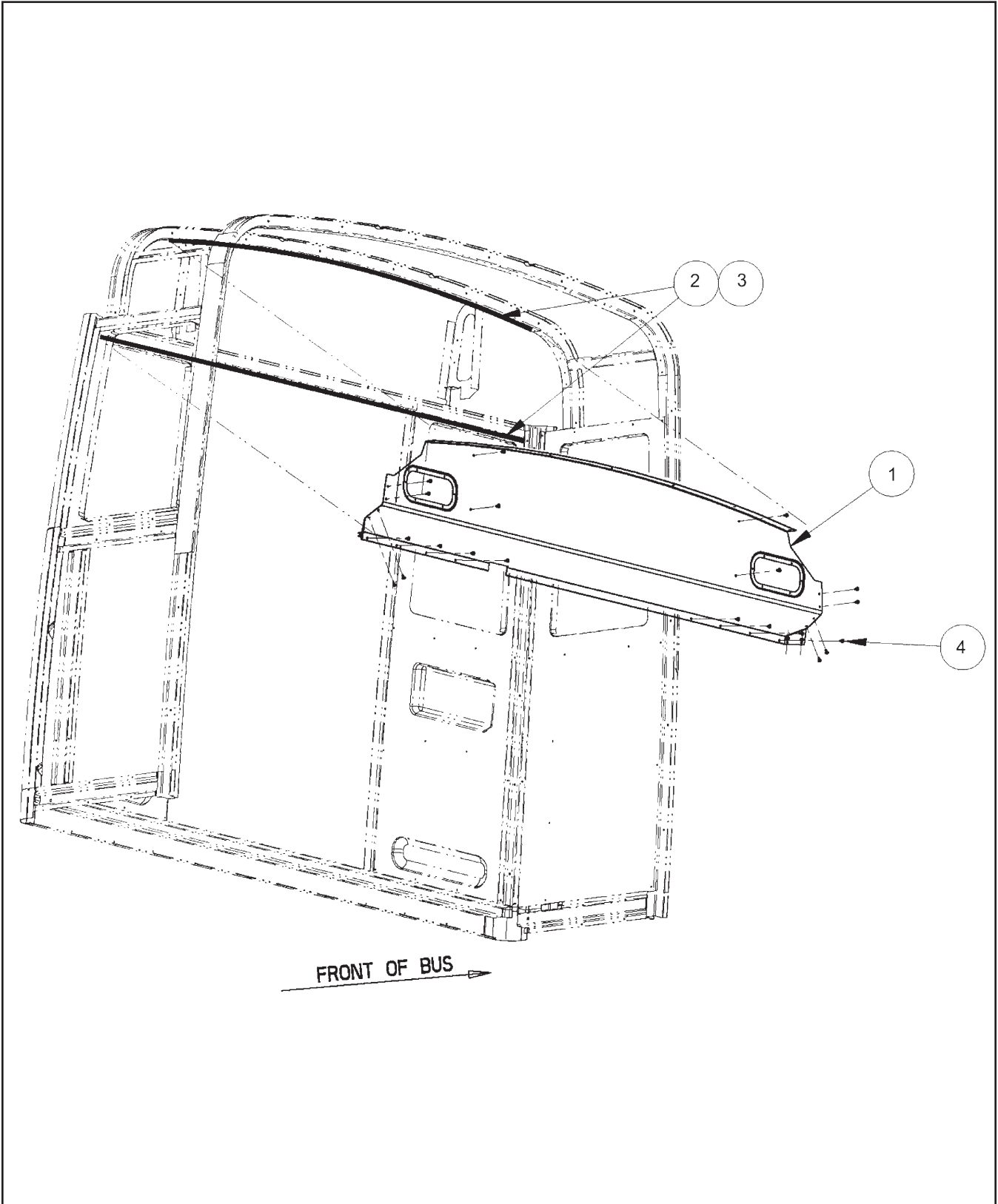
Sales / Data Code	Item Ref. Number	Description	Major Group
D6002XXXXX	1	Panel - Rear End, LS	Interior
	2	Panel - Rear End, RS	
	3	Screw - Tapping	
	4	Window Edging - Rubber, Rear	
	5	Window Edging - Rubber. Rear	
	6	Filler Panel - Rear, LS	
	7	Filler Panel - Rear, RS	



# C2 PARTS REFERENCE MANUAL

Interior

D6003XXXXX - Bulkhead - Rear End Interior





# C2 PARTS REFERENCE MANUAL

Interior

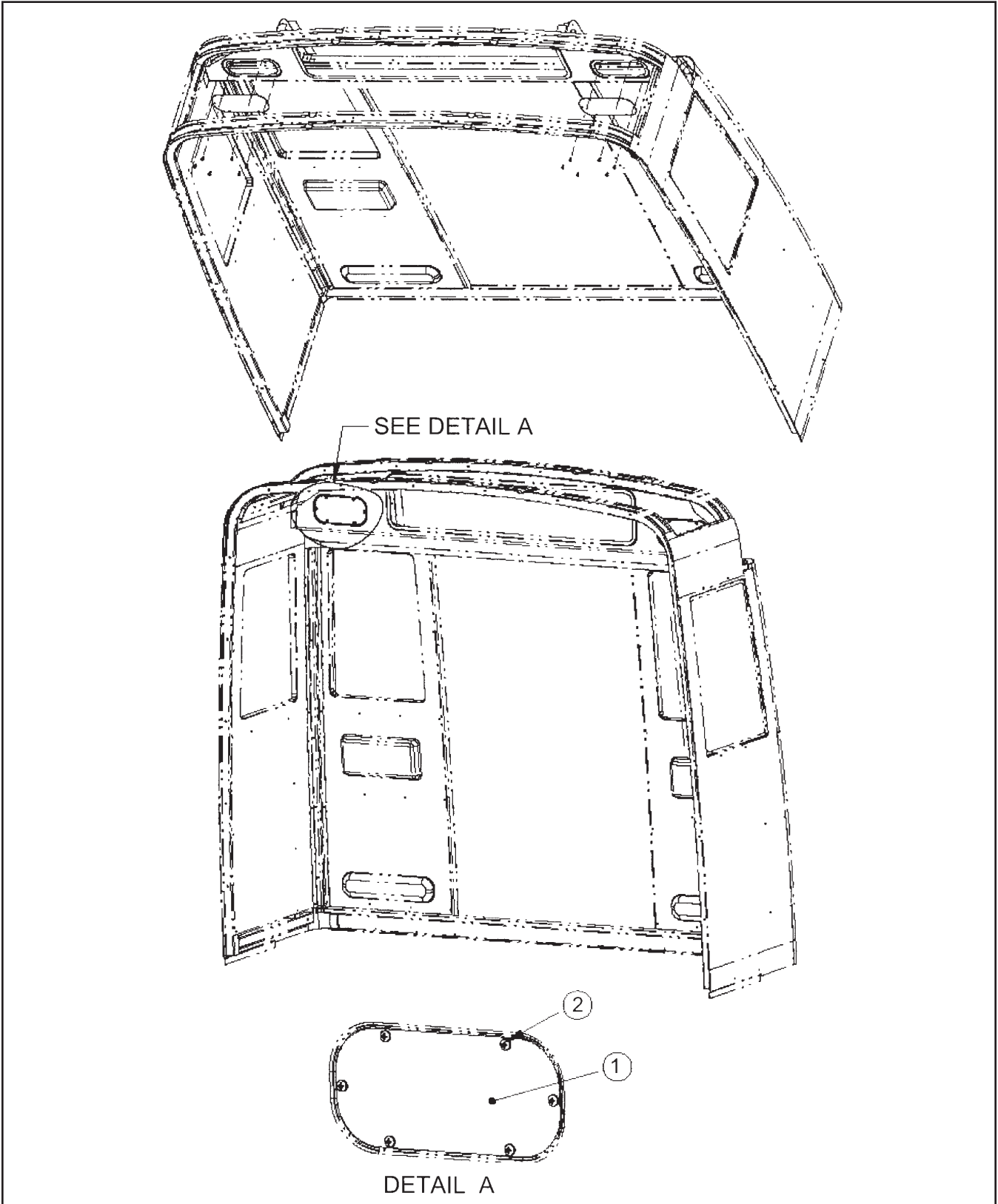
D6003XXXXX - Bulkhead - Rear End Interior

Sales / Data Code	Item Ref. Number	Description	Major Group
D6003XXXXX	1	Rear Bulkhead - Interior	Interior
	2	Adhesive	
	3	Adhesive - Activator	
	4	Screw - Tapping	



# C2 PARTS REFERENCE MANUAL

Interior  
D6004XXXXX - Panels - Access  
Rear Bulkhead





# C2 PARTS REFERENCE MANUAL

Interior

D6004XXXXX - Panels - Access

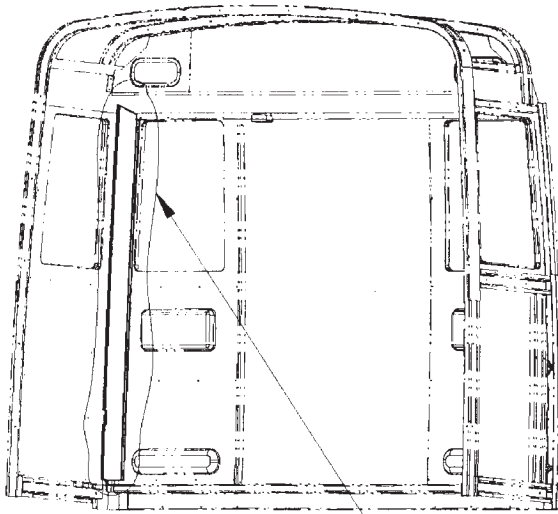
Rear Bulkhead

Sales / Data Code	Item Ref. Number	Description	Major Group
D6004XXXXX	1 2	Cover - Service, Warning Light Screw - Tapping	Interior

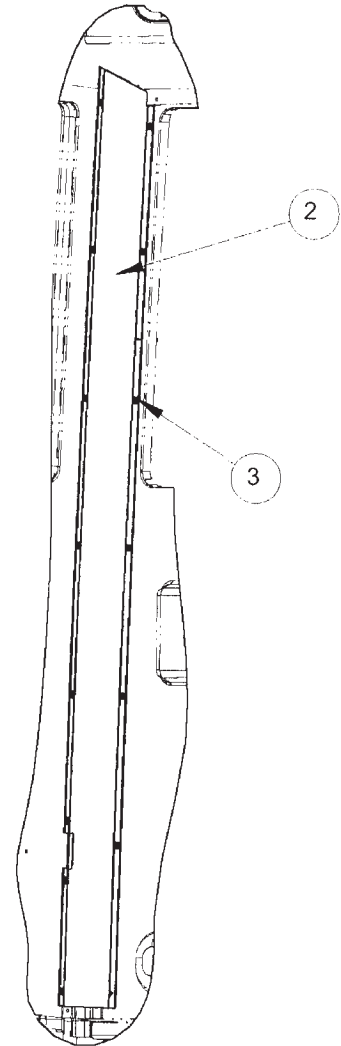
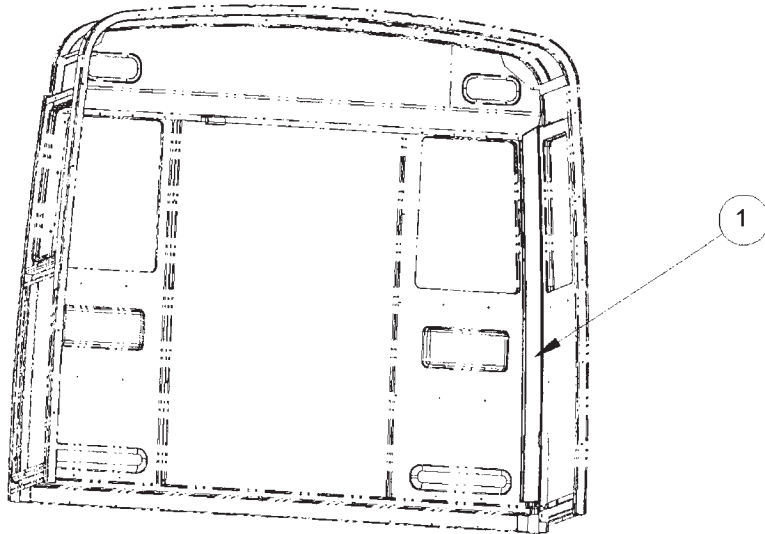


# C2 PARTS REFERENCE MANUAL

Interior  
D6006XXXXX - Cover - Access,  
Rear End Harness



SEE DETAIL A



DETAIL A



# C2 PARTS REFERENCE MANUAL

Interior

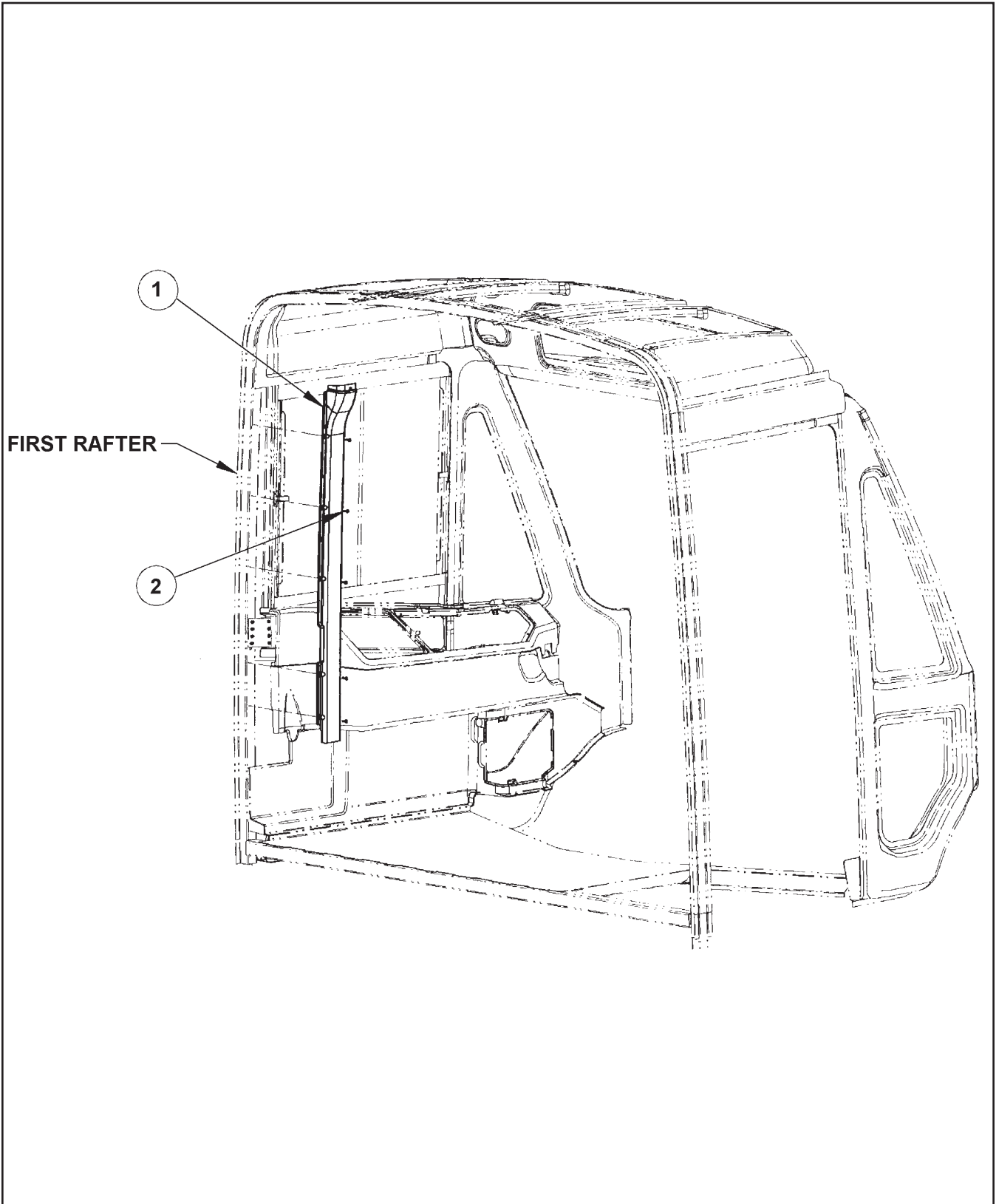
D6006XXXXX - Cover - Access,  
Rear End Harness

Sales / Data Code	Item Ref. Number	Description	Major Group
D6006XXXXX	1	Trim - Harness Access Cover, Rear, LS	Interior
	2	Trim - Harness Access Cover, Rear, RS	
	3	Screw - Tapping	



# C2 PARTS REFERENCE MANUAL

Interior  
D6007XXXXX - Cover - Access,  
Front End Harness







# C2 PARTS REFERENCE MANUAL

Interior

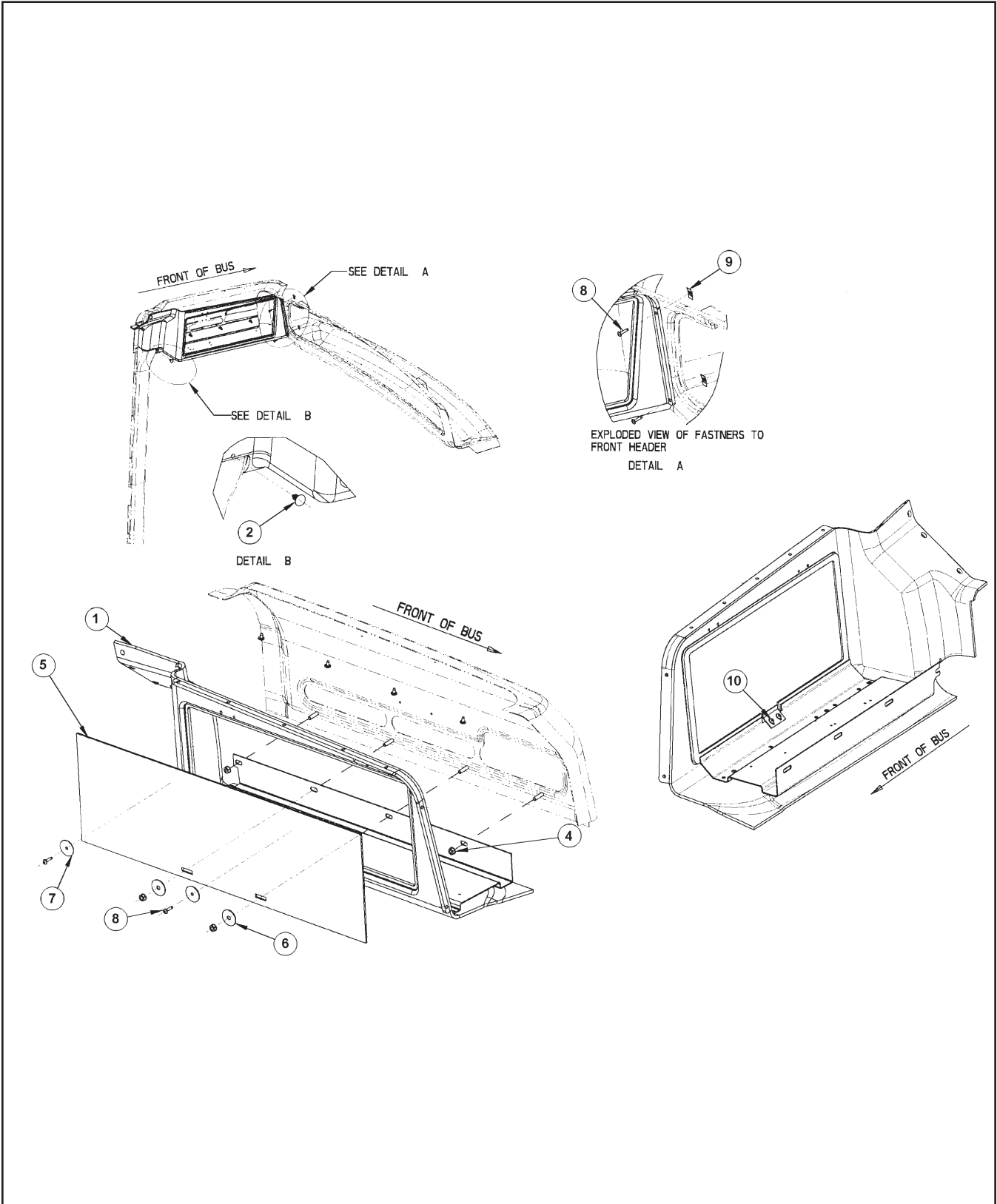
D6007XXXXX - Cover - Access,  
Front End Harness

Sales / Data Code	Item Ref. Number	Description	Major Group
D6007XXXXX	1 2	Cover - Harness, 1st Rafter Screw - Tapping	Interior



# C2 PARTS REFERENCE MANUAL

Interior  
D6008XXXXX - Cover - Trim,  
Driver's Header





# C2 PARTS REFERENCE MANUAL

Interior  
D6008XXXXX - Cover - Trim,  
Driver's Header

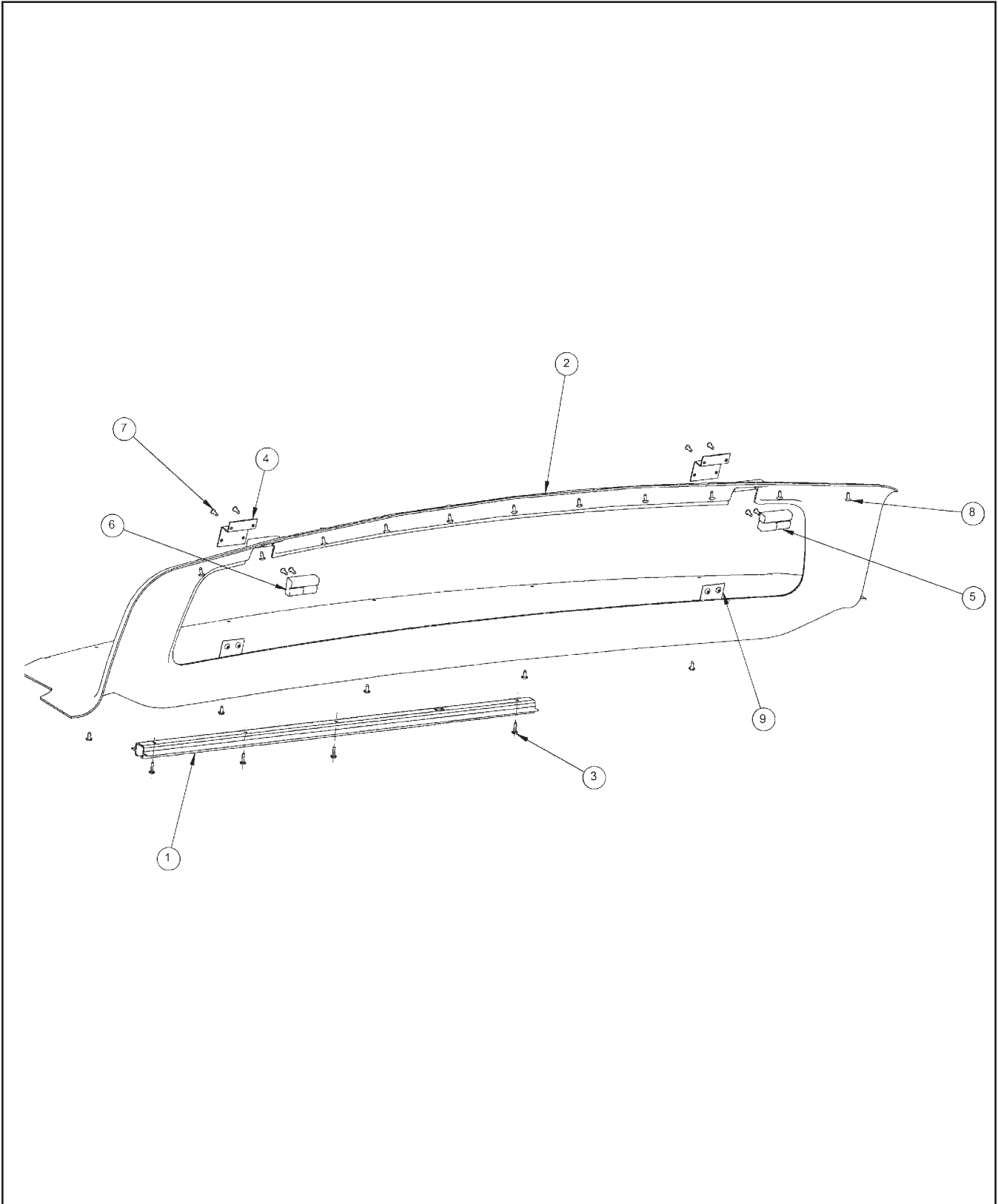
Sales / Data Code	Item Ref. Number	Description	Major Group
D6008XXXXX	1	Storage Box Asm. - Overhead	Interior
	2	Fastener - 1/4" Nylon	
	3	Screw - Tapping, #10	
	4	Nut - Toothed Conical	
	5	Cover - Wire Harness, Overhead	
	6	Washer - Flat	
	7	Washer - 1 1/4" OD x .219 ID	
	8	Screw - Tapping, #10 x .75	
	9	Nut - Speed, Flat Rectangular	



# C2 PARTS REFERENCE MANUAL

Interior

D6009XXXXX - Cover - Trim,  
Front End, Windshield Header





# C2 PARTS REFERENCE MANUAL

Interior

D6009XXXXX - Cover - Trim,  
Front End, Windshield Header

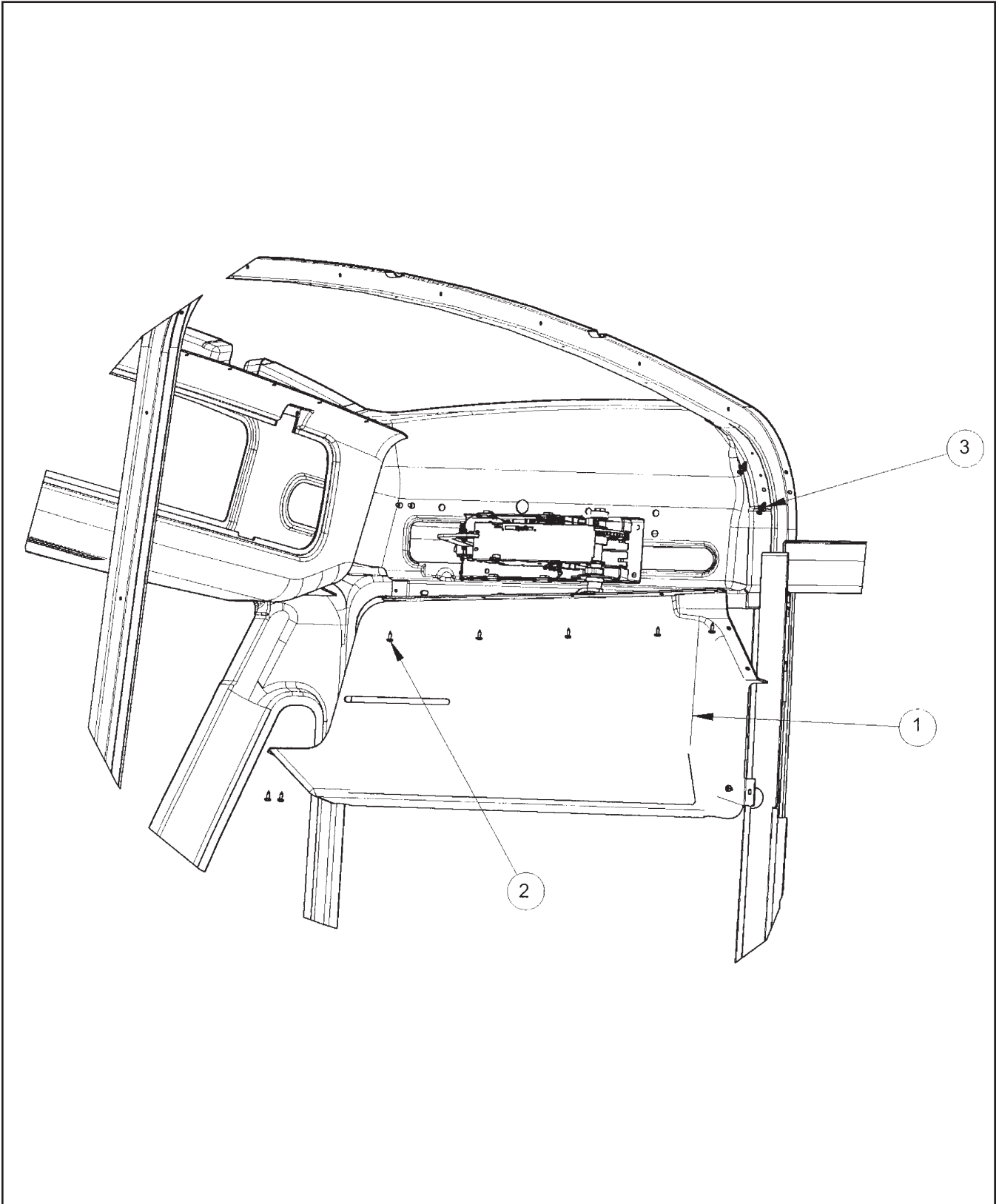
Sales / Data Code	Item Ref. Number	Description	Major Group
D6009XXXXX	1	Accessory Track	Interior
	2	Trim - Front Header	
	3	Screw - Thread Forming	
	4	Mounting Bracket - Front Accessory Compt. Door	
	5	Hinge - Accessory Door, RS	
	6	Hinge - Accessory Door, LS	
	7	Screw - Machine, 10 - 32	
	8	Screw - Tapping, #10	
	9	Striker Plate - Latch, Front Storage Compt.	



# C2 PARTS REFERENCE MANUAL

Interior

D6010XXXXX - Cover - Trim,  
Front Entrance, Door Header





# C2 PARTS REFERENCE MANUAL

Interior

D6010XXXXX - Cover - Trim,  
Front Entrance, Door Header

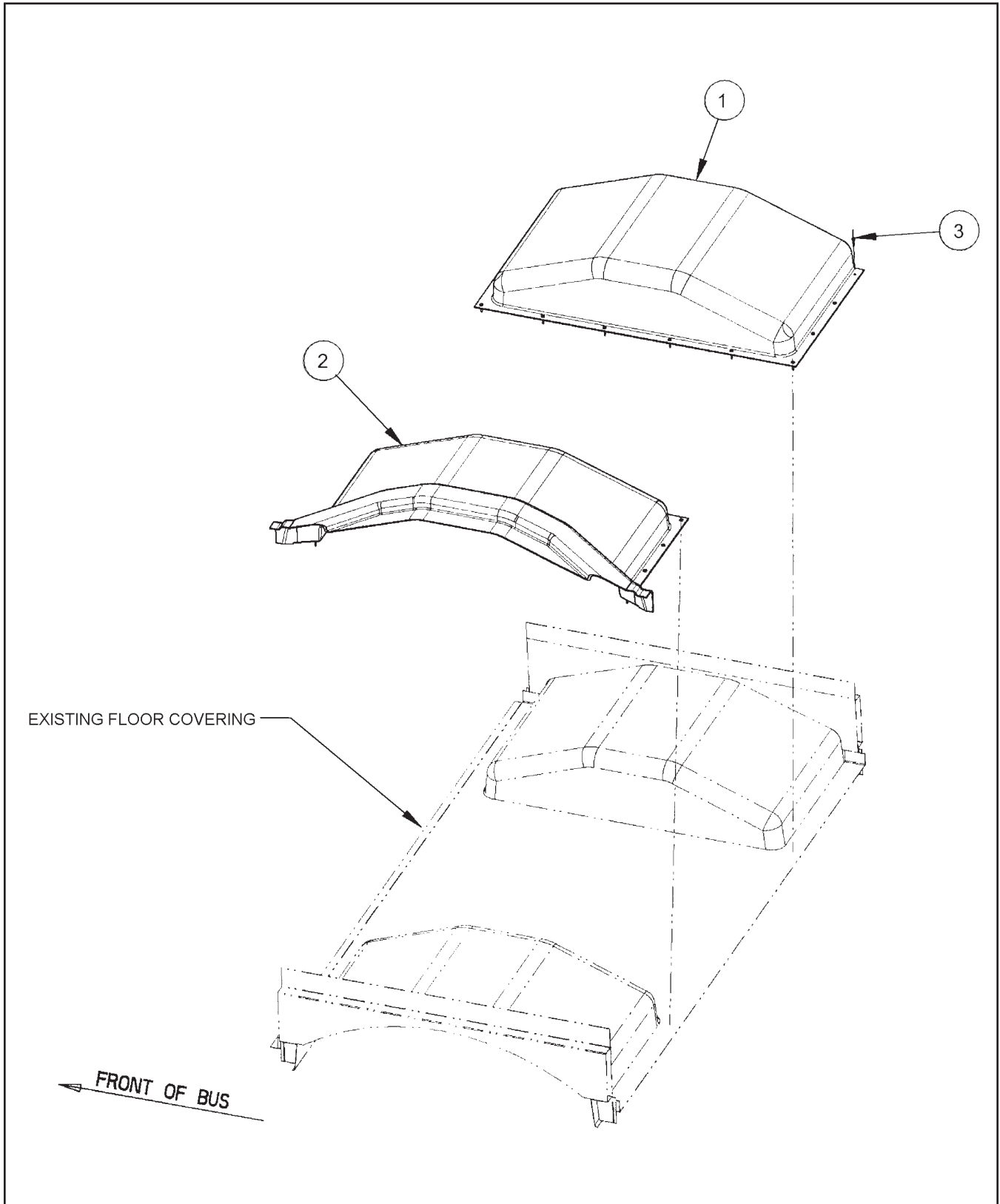
Sales / Data Code	Item Ref. Number	Description	Major Group
D6010XXXXX	1	Cover Asm. - Mechanism, Elec. Ent. Door	Interior
	2	Screw - Tapping, #10	
	3	Rivet - 1/4", Re-usable	



# C2 PARTS REFERENCE MANUAL

Interior

D6016XXXXX - Cover - Wheelhouse  
& Heater Hose







# C2 PARTS REFERENCE MANUAL

Interior

D6016XXXXX - Cover - Wheelhouse  
& Heater Hose

Sales / Data Code	Item Ref. Number	Description	Major Group
D6016XXXXX	1	Cover - Wheelhouse	Interior
	2	Cover - Wheelhouse & Hose	
	3	Screw - Tapping, #10	

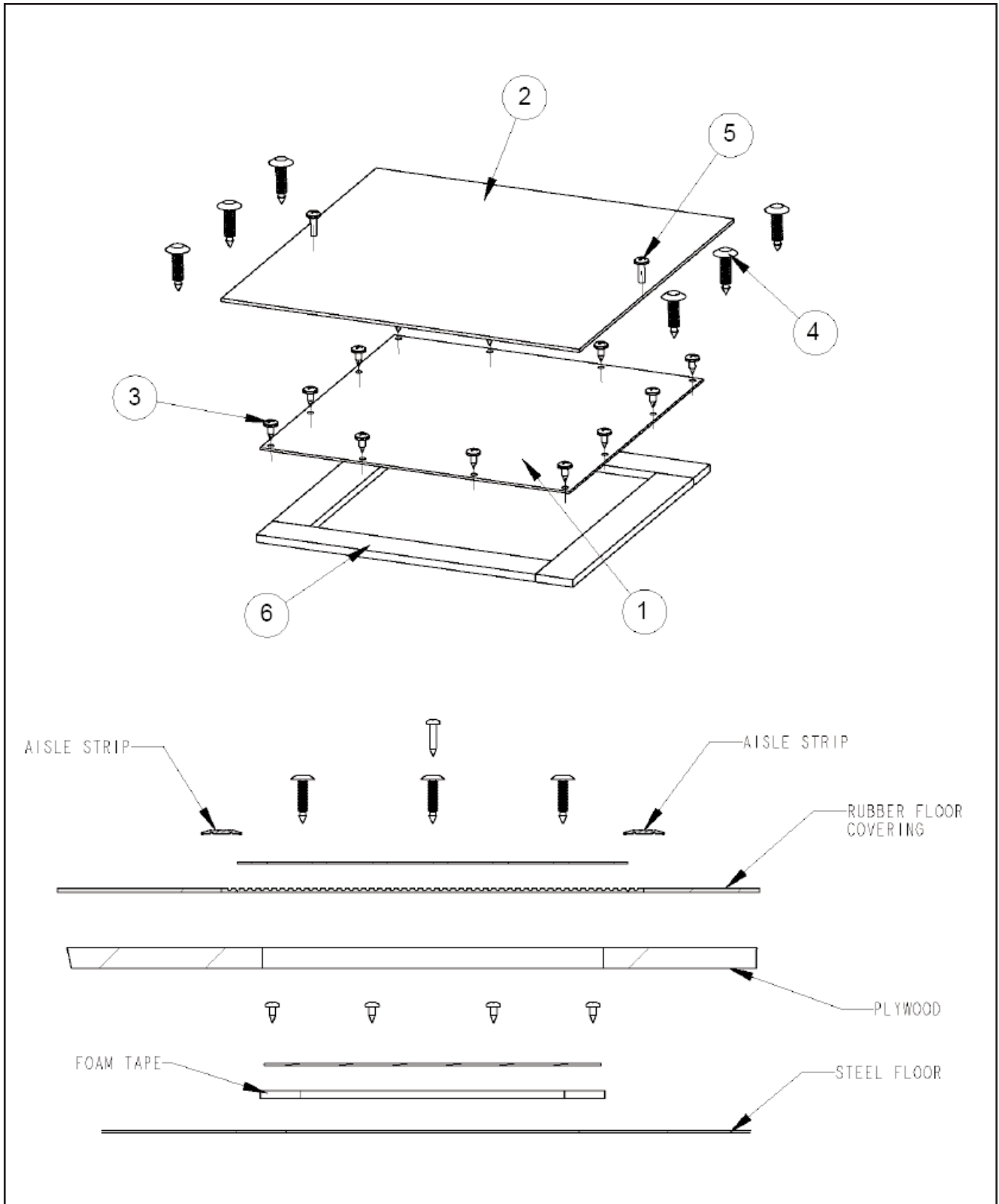


# C2 PARTS REFERENCE MANUAL

Interior

D6018XXXXX - Cover - Fuel

Sender Inspection





# C2 PARTS REFERENCE MANUAL

Interior

D6018XXXXX - Cover - Fuel

Sender Inspection

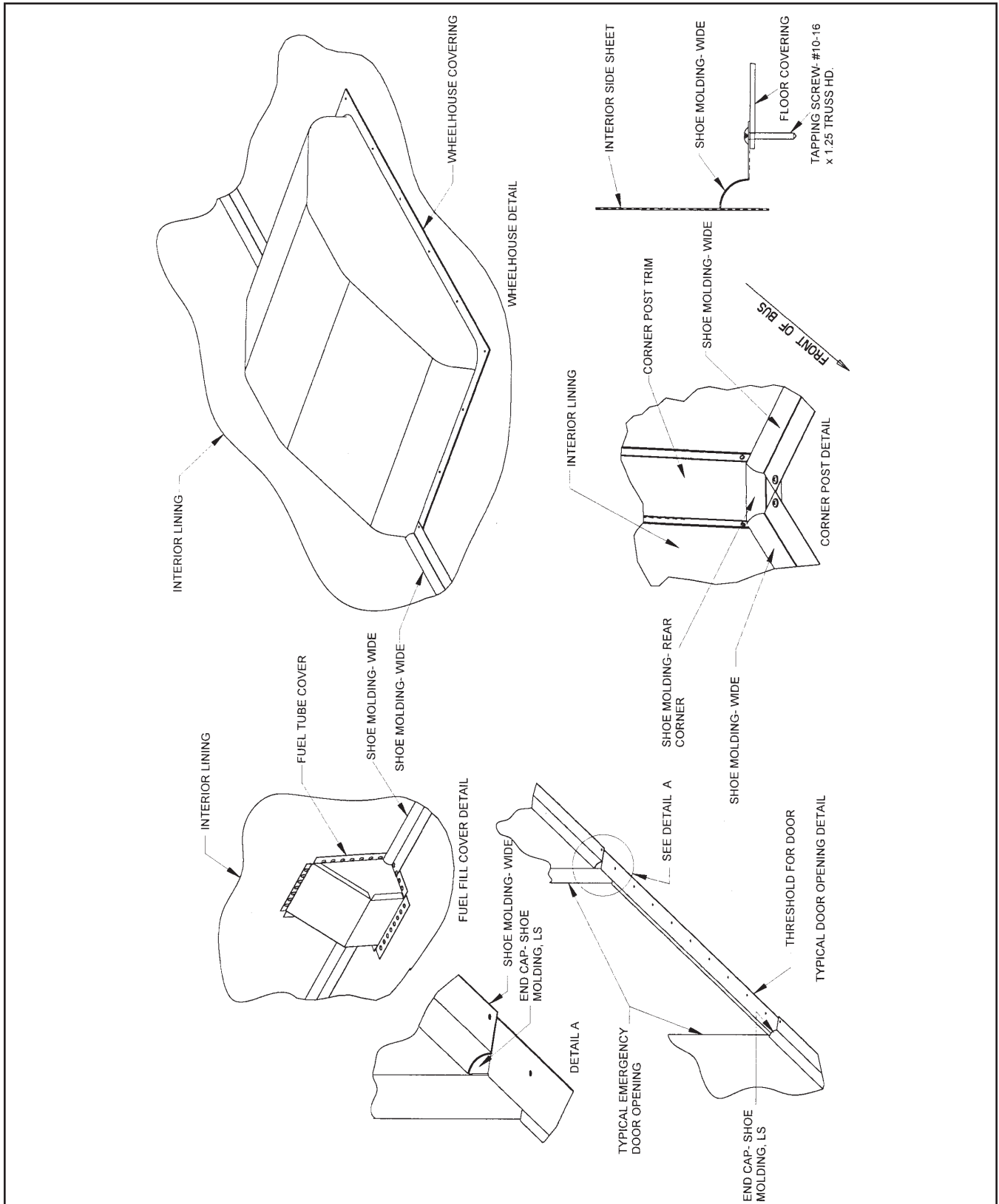
Sales / Data Code	Item Ref. Number	Description	Major Group
D6018XXXXX	1	Cover - Access, BTR Fuel Tank	Interior
	2	Cover - Access, BTR Fuel Tank, Floot	
	3	Screw - Tapping, #10 Truss Head, .50L	
	4	Fastener - Uni-Tap, Nylon, Black, 1/4" x 1 3/8"	
	5	Screw - Tapping, #10 Truss Head, 1.00L	
	6	Foam Tape - Black	



# C2 PARTS REFERENCE MANUAL

Interior

D6019XXXXX - Molding - Shoe





# C2 PARTS REFERENCE MANUAL

Interior

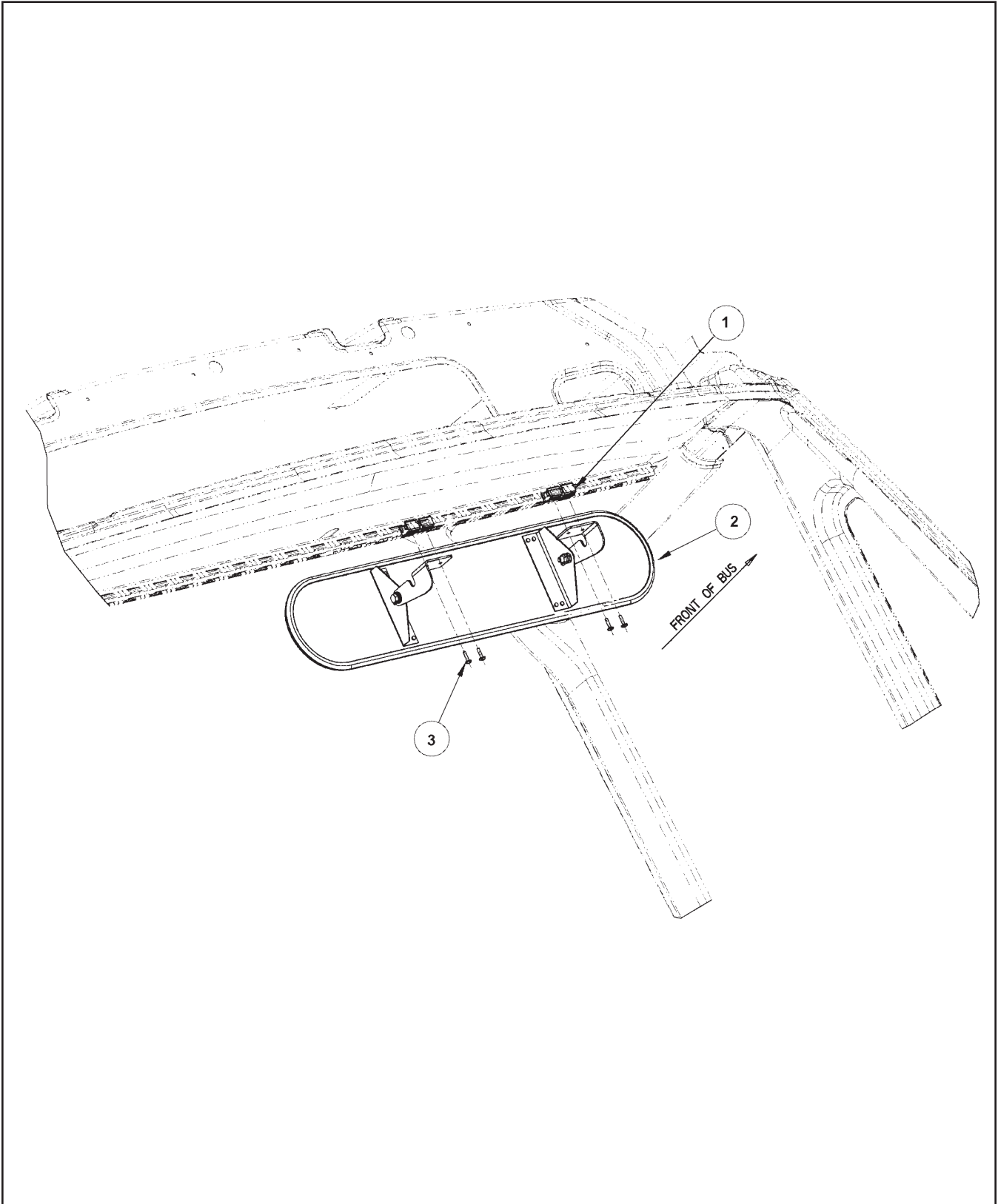
D6019XXXXX - Molding - Shoe

Sales / Data Code	Item Ref. Number	Description	Major Group
D6019XXXXX	1	Shoe Molding - Wide	Interior
	2	End Cap - Shoe Molding, RS	
	3	End Cap - Shoe Molding, LS	
	4	Shoe Molding - Rear Corner	



# C2 PARTS REFERENCE MANUAL

Interior  
D6022XXXXX - Mirror - Interior,  
6" x 30"





# C2 PARTS REFERENCE MANUAL

Interior

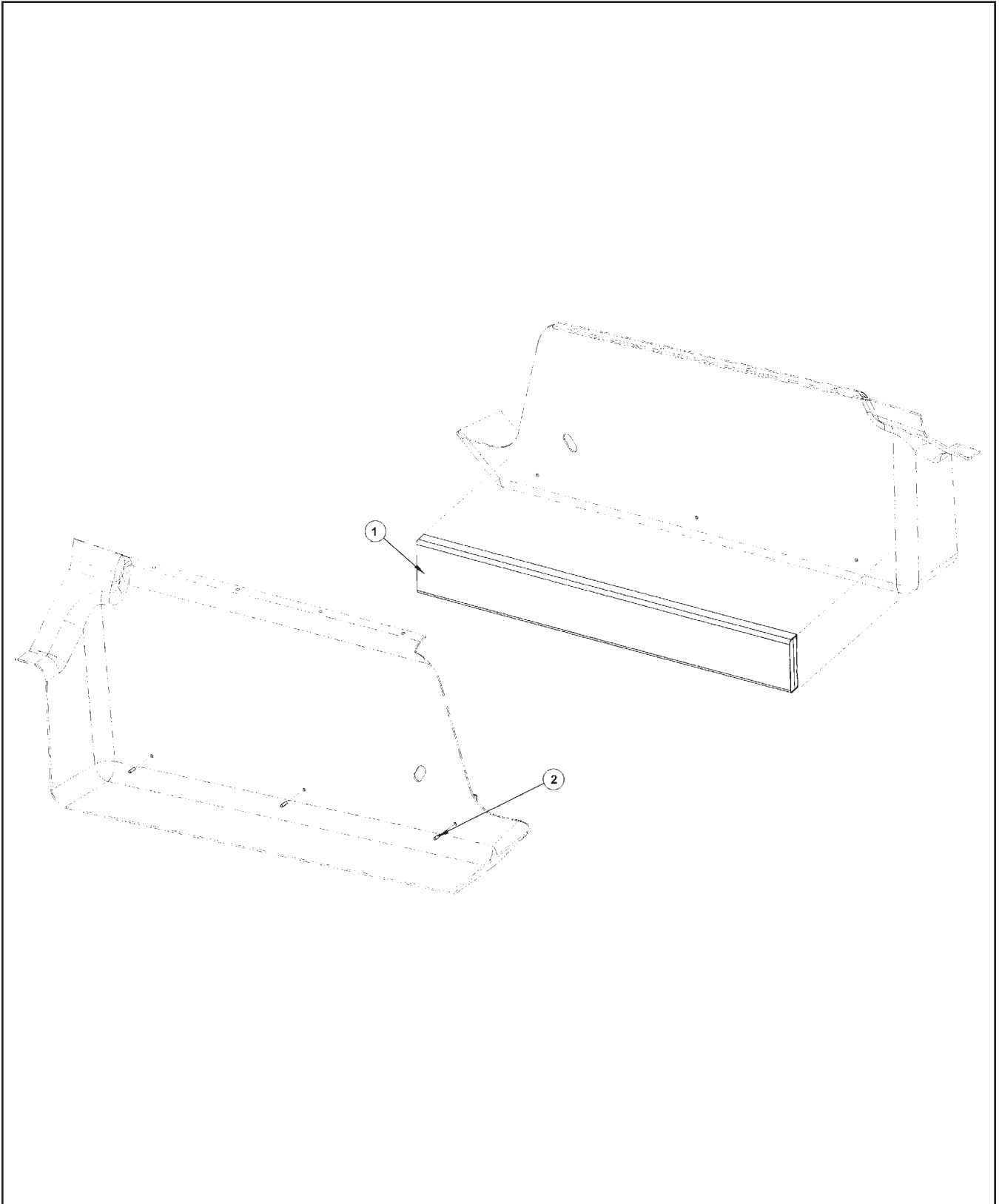
D6022XXXXX - Mirror - Interior,  
6" x 30"

Sales / Data Code	Item Ref. Number	Description	Major Group
D6022XXXXX	1	Nut - Accessory Track	Interior
	2	Mirror Asm. - Interior	
	3	Screw - Pan Head	



# C2 PARTS REFERENCE MANUAL

Interior  
D6026XXXXX - Pad - Door Header,  
Front Entrance







# C2 PARTS REFERENCE MANUAL

Interior

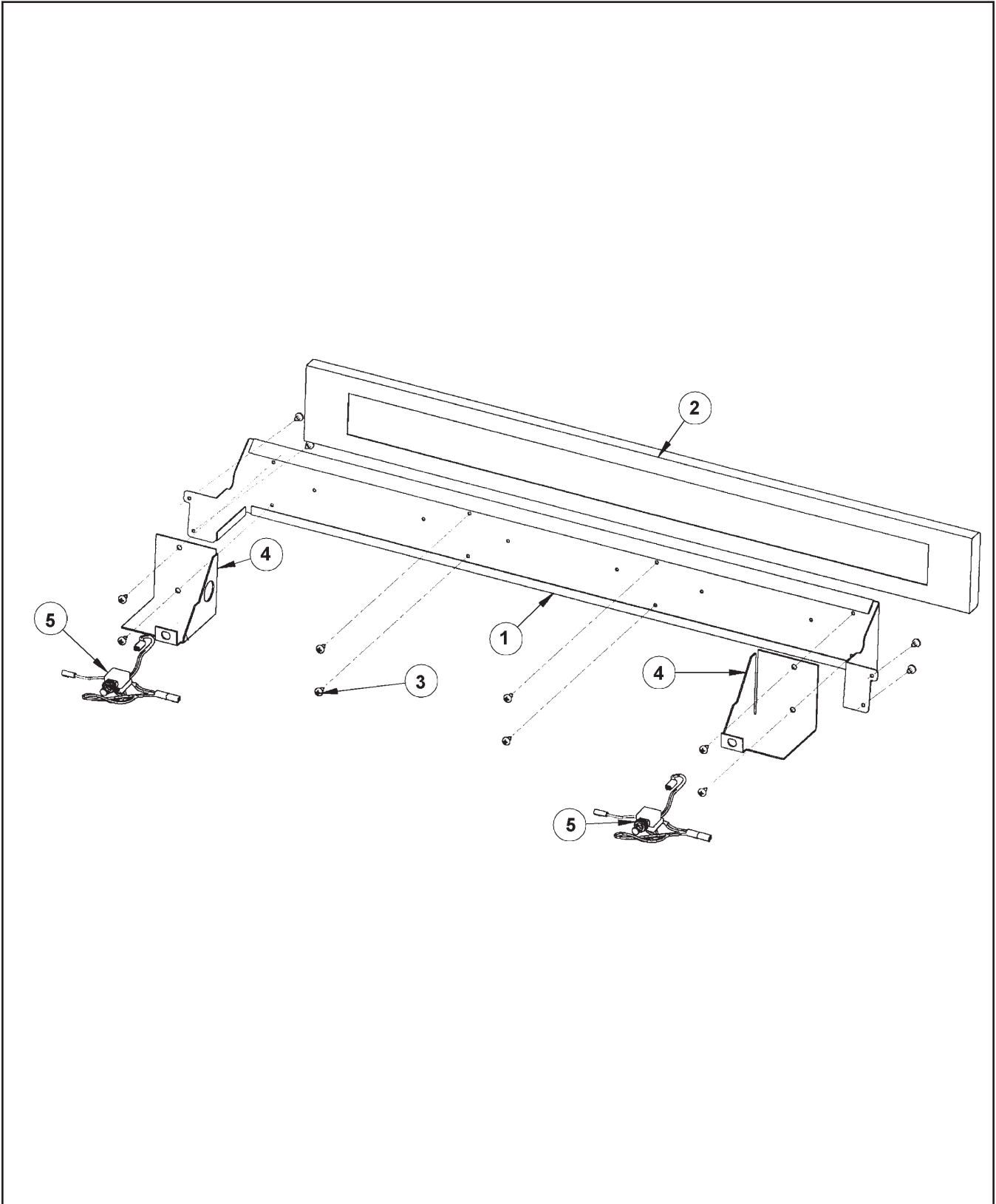
D6026XXXXX - Pad - Door Header,  
Front Entrance

Sales / Data Code	Item Ref. Number	Description	Major Group
D6026XXXXX	1	Pad Asm. - Front Entrance Door	Interior
	2	Screw - RD, HD.	



# C2 PARTS REFERENCE MANUAL

Interior  
D6029XXXXX - Pad - Door Header,  
Side Emergency





# C2 PARTS REFERENCE MANUAL

Interior

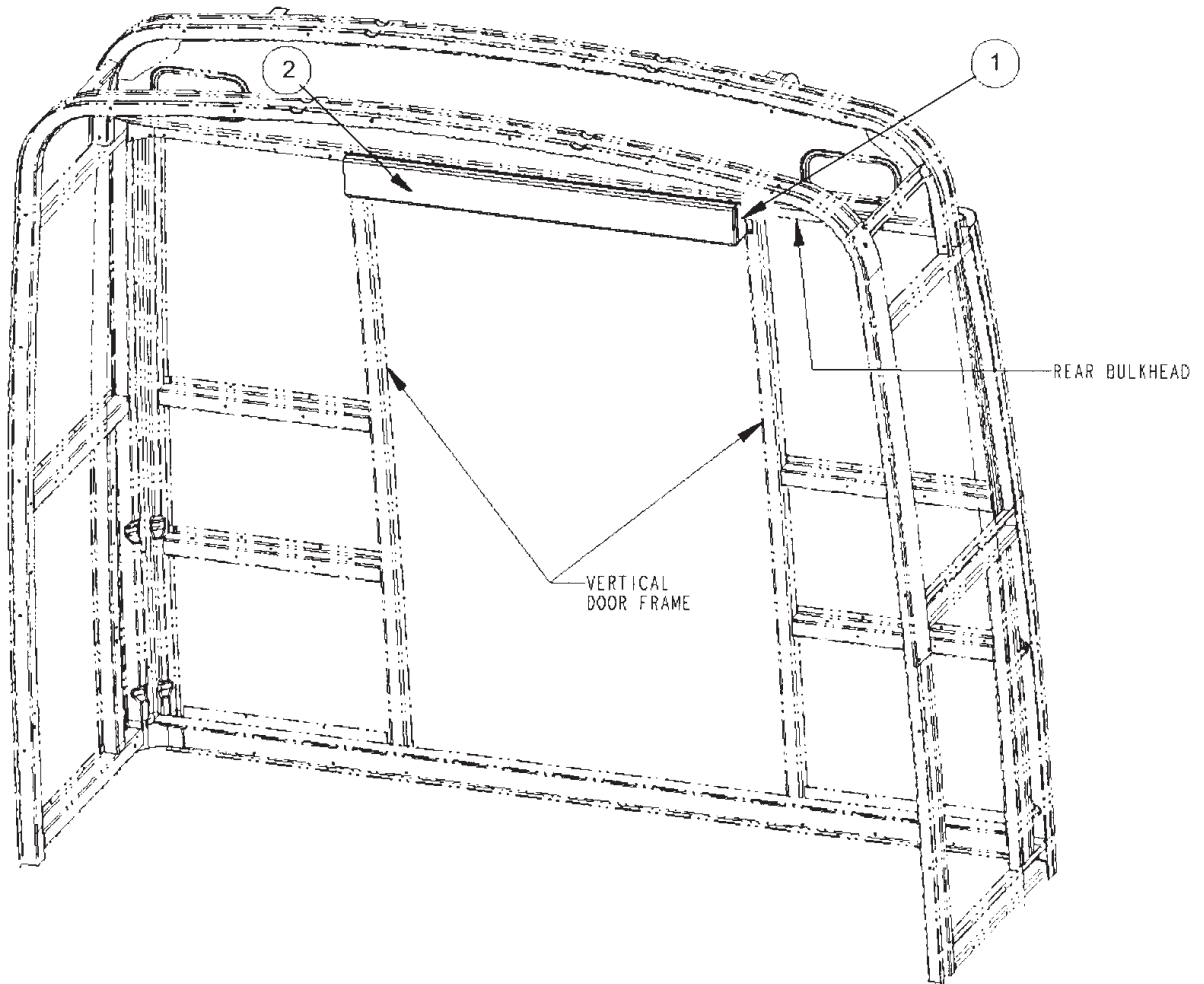
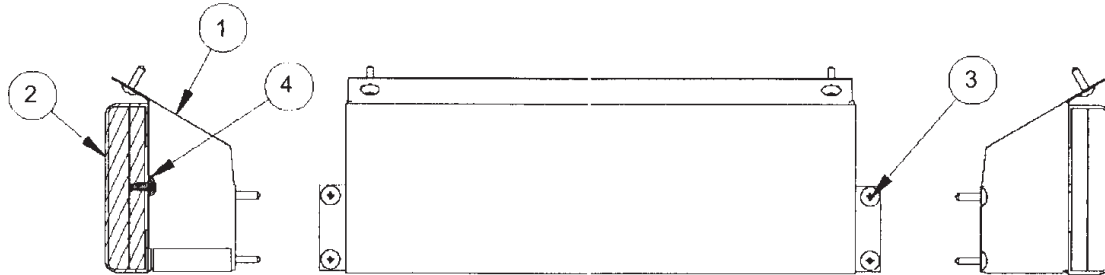
D6029XXXXX - Pad - Door Header,  
Side Emergency

Sales / Data Code	Item Ref. Number	Description	Major Group
D6029XXXXX	1	Bracket - Prop Rod, Side Emerg. Door	Interior
	2	Pad Asm. - Header, Side Door	
	3	Screw - Tapping, #10	
	4	Bracket - Lift Switch, LS	
	5	Switch - Door, Momentary	



# C2 PARTS REFERENCE MANUAL

Interior  
D6030XXXXX - Pad - Door Header,  
Rear Emergency





# C2 PARTS REFERENCE MANUAL

Interior

D6030XXXXX - Pad - Door Header,  
Rear Emergency

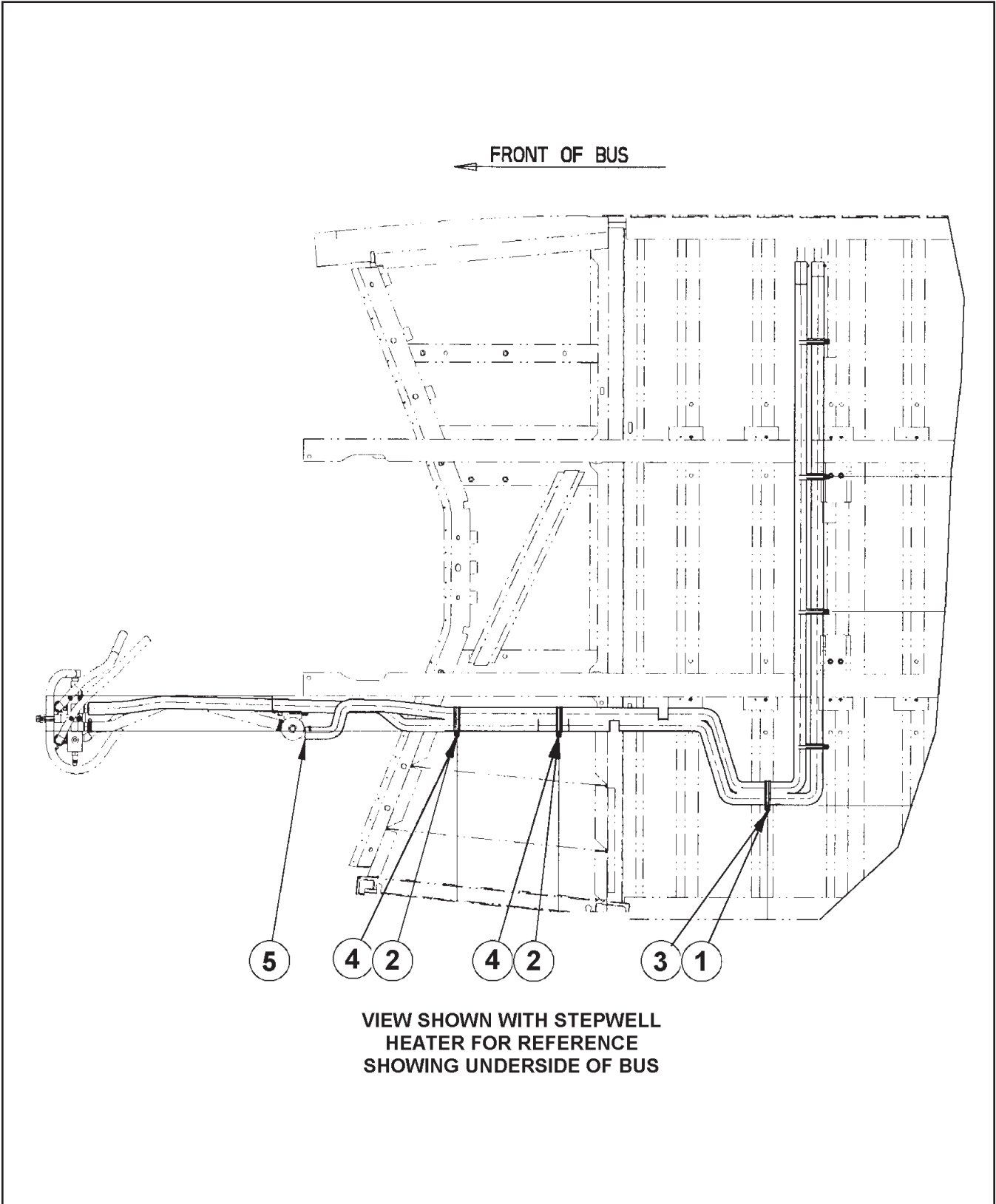
Sales / Data Code	Item Ref. Number	Description	Major Group
D6030XXXXX	1	Cover - Prop, Rear Emerg. Door	Interior
	2	Pad - Door Header	
	3	Screw - Truss HD.	
	4	Screw - Tapping, #10	



# C2 PARTS REFERENCE MANUAL

Interior

D6047XXXXX - Heater - Hose Cover





# C2 PARTS REFERENCE MANUAL

Interior

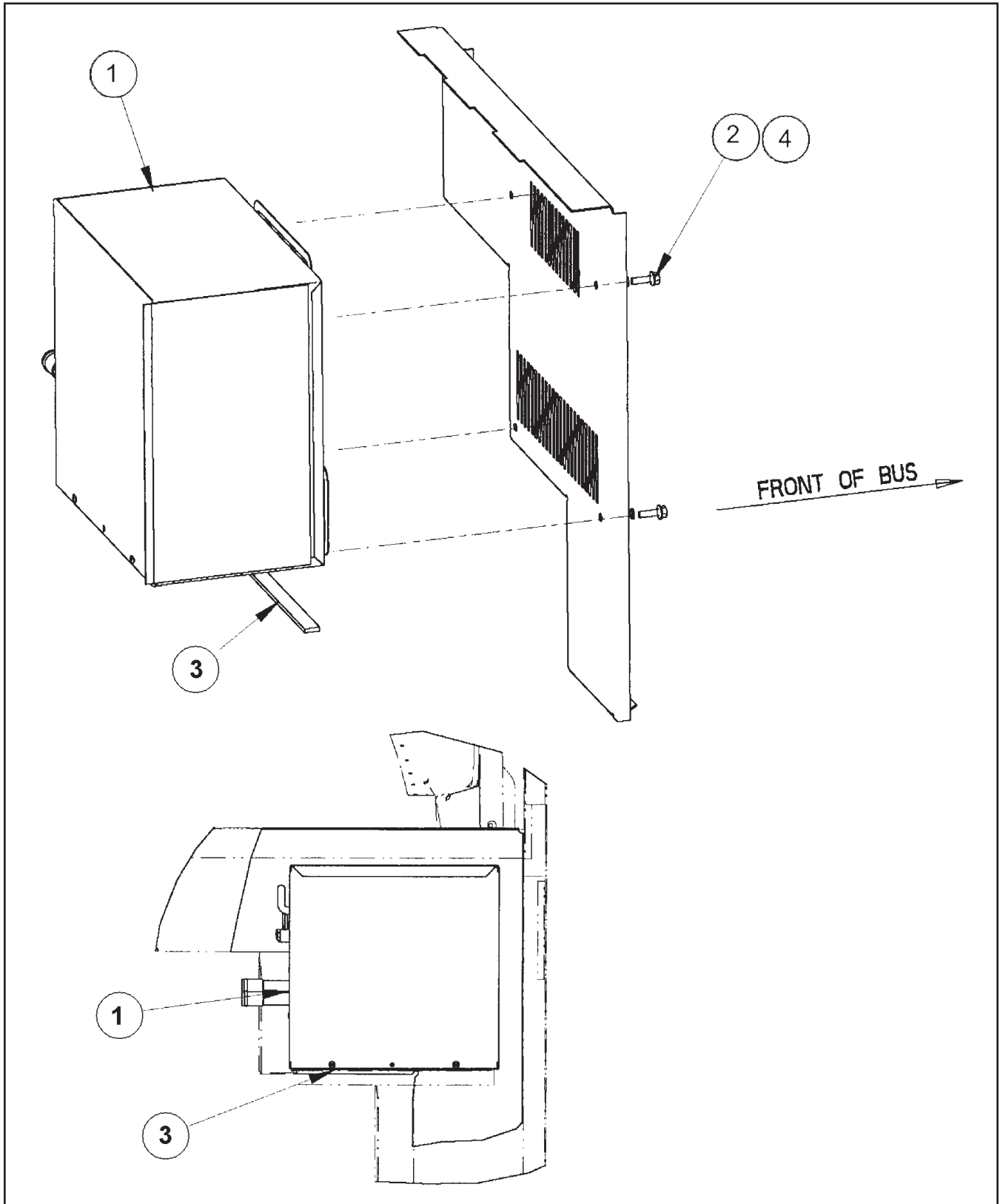
D6047XXXXX - Heater - Hose Cover

Sales / Data Code	Item Ref. Number	Description	Major Group
D6047XXXXX	1	Screw - Tapping, 14 x 1 1/2	Interior
	2	Screw - Machine, 1/4 - 20 x 1 1/8	
	3	Clamp - Cushion Support	
	4	Nut - Toothed Conical	
	5	Tubing - Convolutud	



# C2 PARTS REFERENCE MANUAL

Interior  
D6048XXXXX - Heater - Entrance Door  
Stepwell







# C2 PARTS REFERENCE MANUAL

Interior  
D6048XXXXX - Heater - Entrance Door  
Stepwell

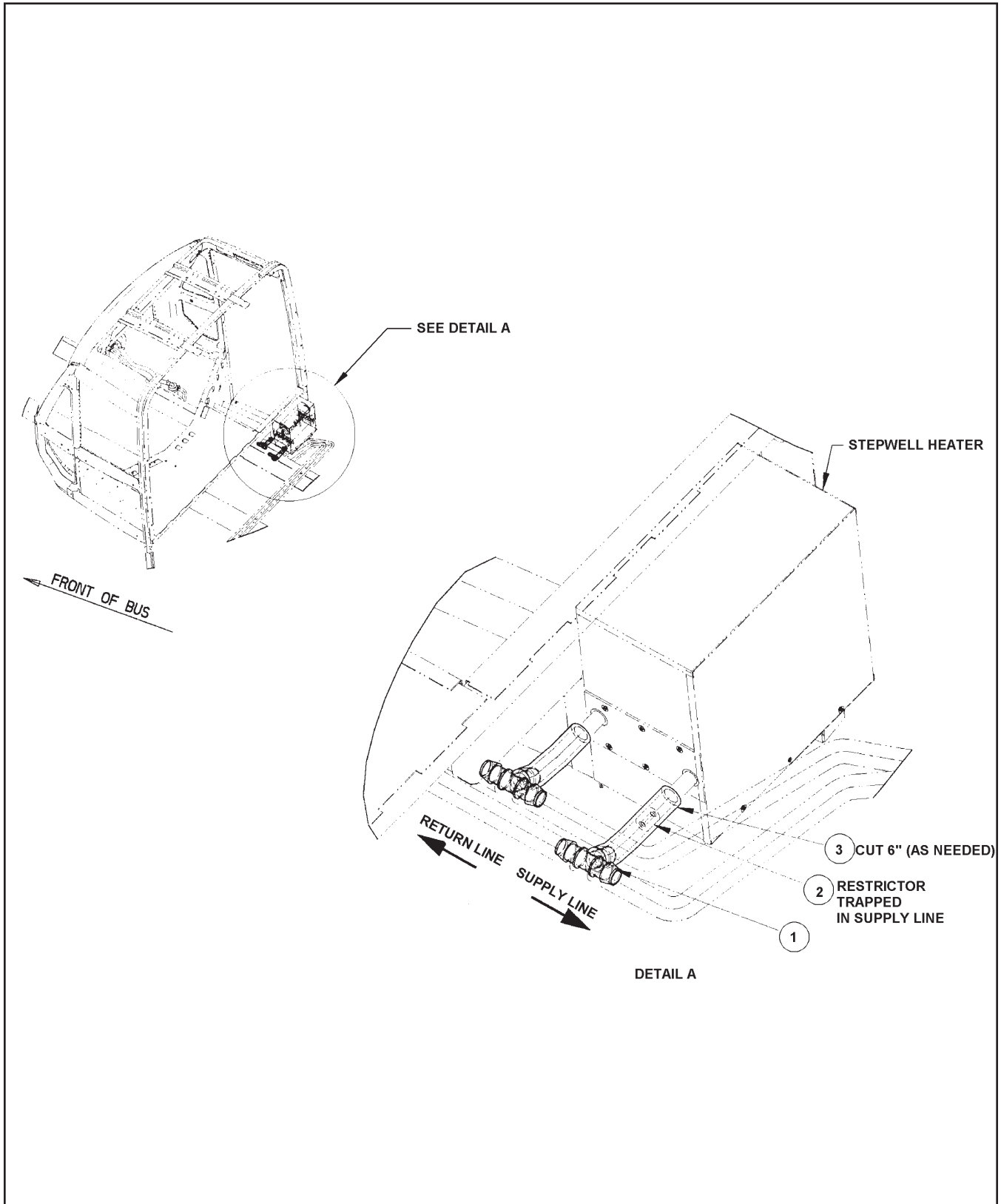
Sales / Data Code	Item Ref. Number	Description	Major Group
D6048XXXXX	1	Heater Asm. - Stepwell	Interior
	2	Bolt - 5/16 - 18 x 1"	
	3	Seal - Self-Adhesive	
	4	Adhesive	



# C2 PARTS REFERENCE MANUAL

Interior

D6049XXXXX - Hose - Stepwell Heater





# C2 PARTS REFERENCE MANUAL

Interior

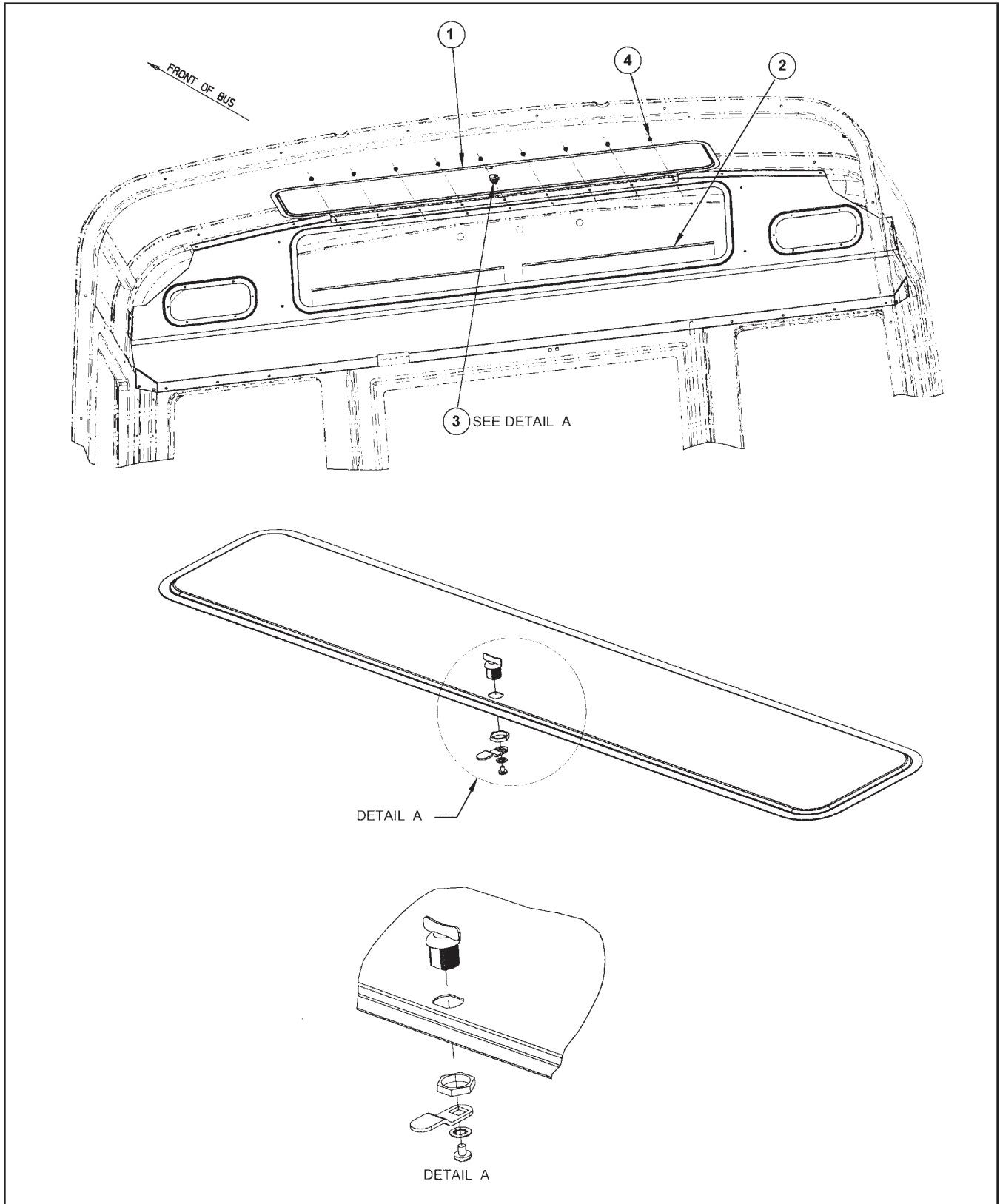
D6049XXXXX - Hose - Stepwell Heater

Sales / Data Code	Item Ref. Number	Description	Major Group
D6049XXXXX	1	Hose Tee - 1"	Interior
	2	Flow Restrictor - 5/16 X 1"	
	3	Heater Hose	



# C2 PARTS REFERENCE MANUAL

Interior  
D6051XXXXX - Door - Access,  
Rear Bulkhead





# C2 PARTS REFERENCE MANUAL

Interior

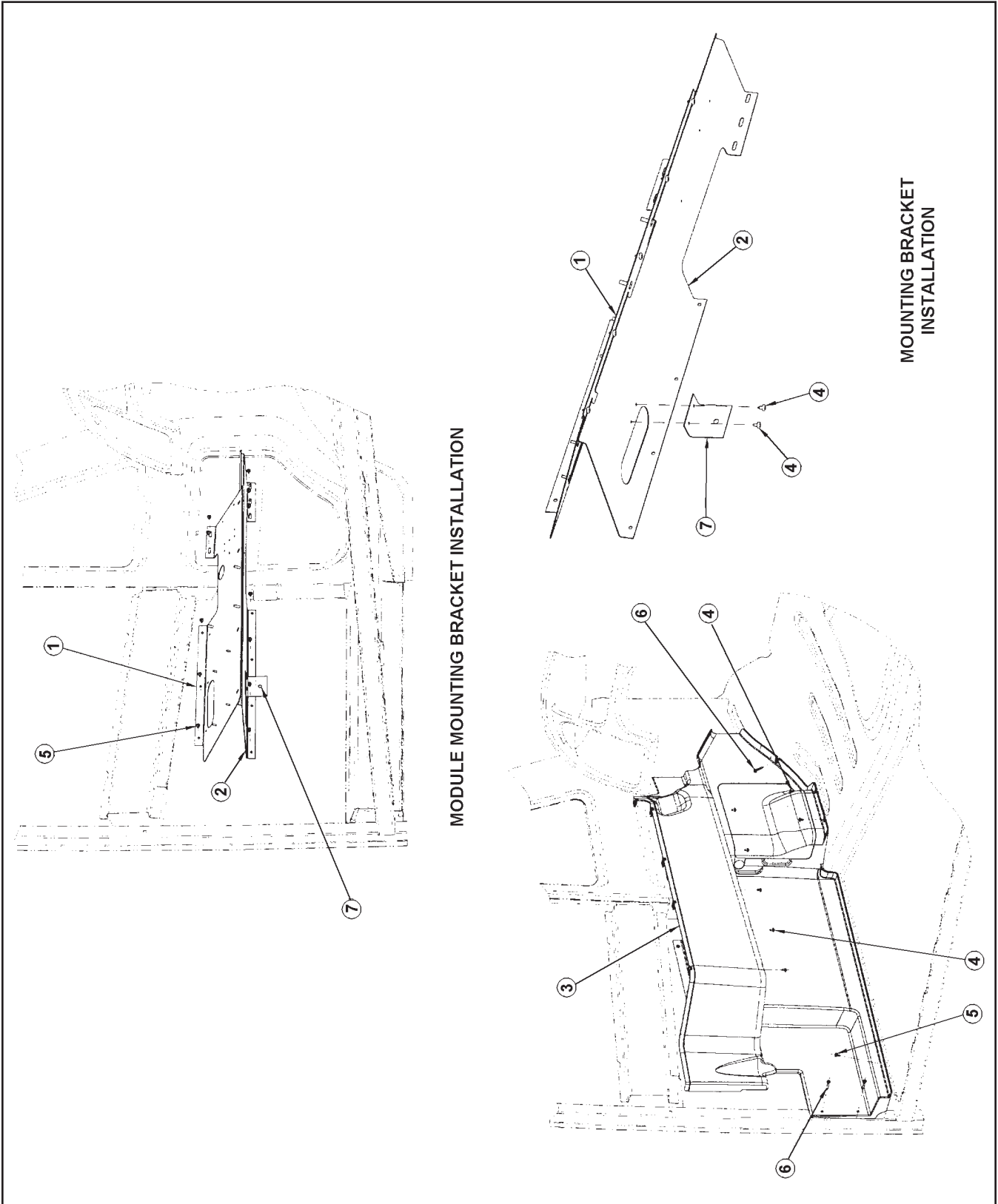
D6051XXXXX - Door - Access,  
Rear Bulkhead

Sales / Data Code	Item Ref. Number	Description	Major Group
D6051XXXXX	1	Door Asm. - Bulkhead, Rear Interior	Interior
	2	Screw - Tapping, #10	
	3	Grommet Edging - Adhesive Lined	
	4	Lock - Thumb, 1/4 Turn	



# C2 PARTS REFERENCE MANUAL

Interior  
D6082XXXXX - Cabinet - Switch,  
Lower





# C2 PARTS REFERENCE MANUAL

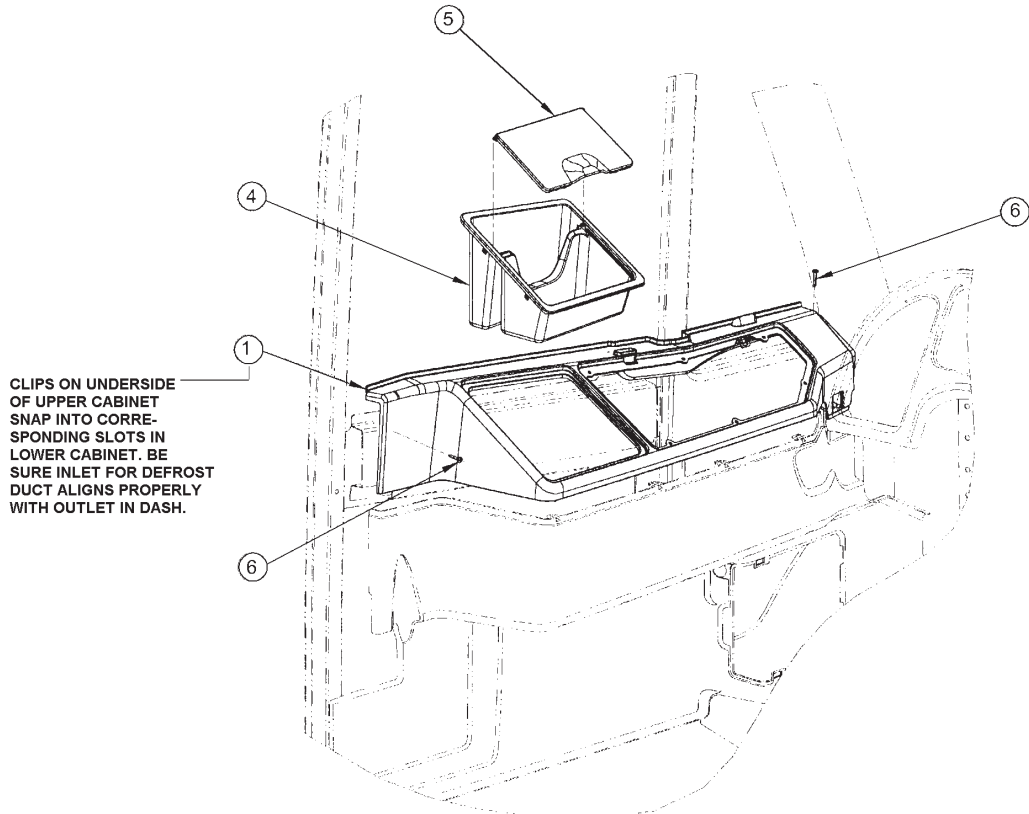
Interior  
D6082XXXXX - Cabinet - Switch,  
Lower

Sales / Data Code	Item Ref. Number	Description	Major Group
D6082XXXXX	1	Mounting Panel Asm. - Module	Interior
	2	Tray - Module, Switch Cabinet	
	3	Cover Asm. - Switch Cabinet, Lower	
	4	Screw - Tapping #10 x 1/2", Truss Head	
	5	Screw - Tapping #10 x 5/8", Truss Head	
	6	Screw - Tapping #10 x 1 1/4", Truss Head	
	7	Mounting Bracket - Switch Cabinet	

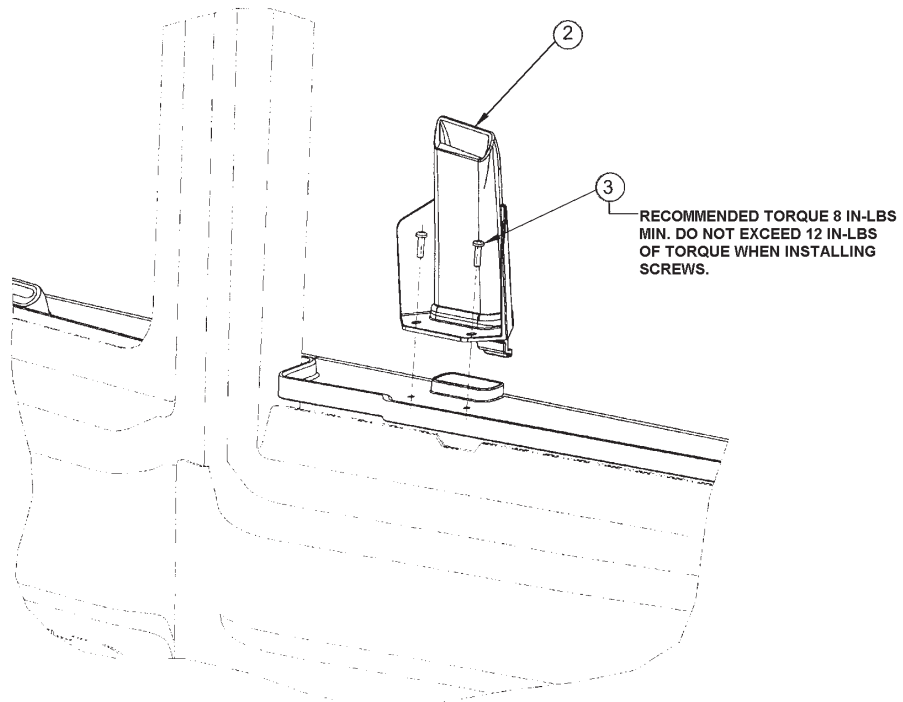


# C2 PARTS REFERENCE MANUAL

Interior  
D6083XXXXX - Cabinet - Switch,  
Upper



UPPER CABINET INSTALLATION



DRIVER'S DUCT INSTALLATION





# C2 PARTS REFERENCE MANUAL

Interior  
D6083XXXXX - Cabinet - Switch,  
Upper

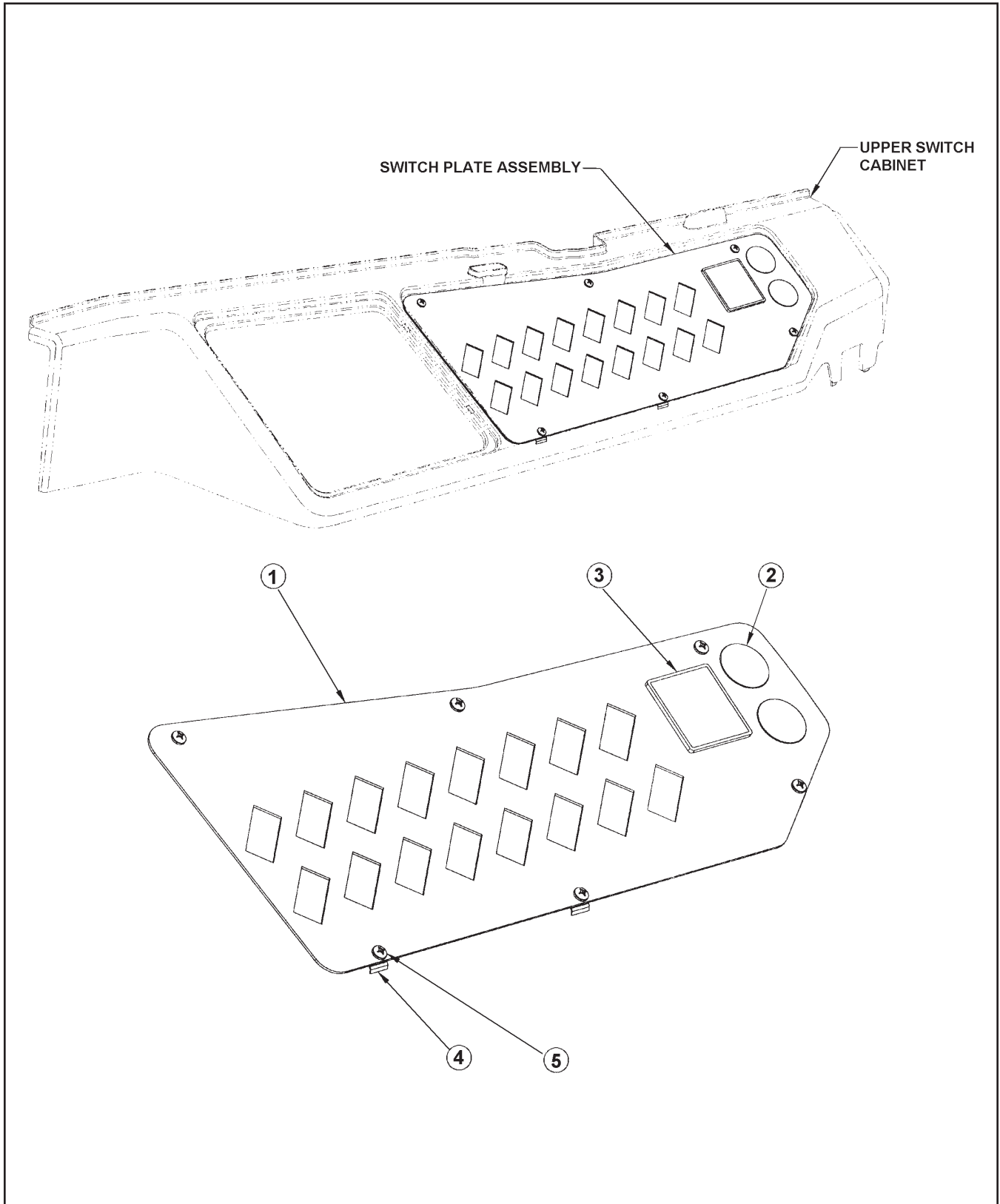
Sales / Data Code	Item Ref. Number	Description	Major Group
D6083XXXXX	1	Cover Asm. - Switch Cabinet, Upper	Interior
	2	Duct - Defroster, Driver's Window	
	3	Screw - #6 x .50 Pan HD.	
	4	Storage Bin - Switch Cabinet	
	5	Lid - Storage Bin, Switch Cabinet	



# C2 PARTS REFERENCE MANUAL

Interior

D6084XXXXX - Cabinet - Top Plate





# C2 PARTS REFERENCE MANUAL

Interior

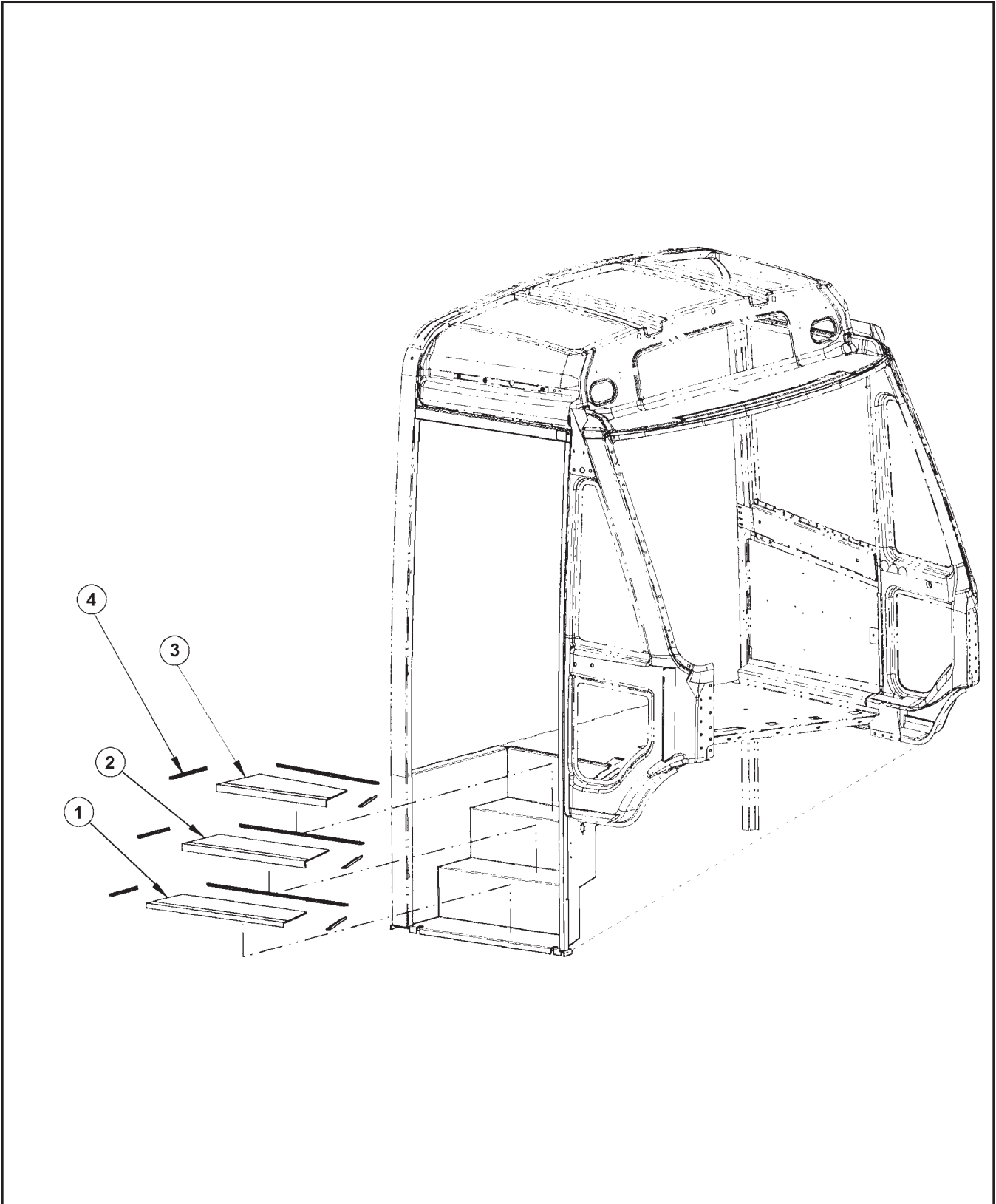
D6084XXXXX - Cabinet - Top Plate

Sales / Data Code	Item Ref. Number	Description	Major Group
D6084XXXXX	1	Switch Plate - Front	Interior
	2	Cap - Switch Cabinet, Black Nylon	
	3	Plug - Cut-Out, Light Monitor	
	4	Nut - J-Type, #10	
	5	Screw - Tapping, #10	



# C2 PARTS REFERENCE MANUAL

Interior  
D6085XXXXX - Tread - Step, Front  
Entrance Door





# C2 PARTS REFERENCE MANUAL

Interior

D6085XXXXX - Tread - Step, Front  
Entrance Door

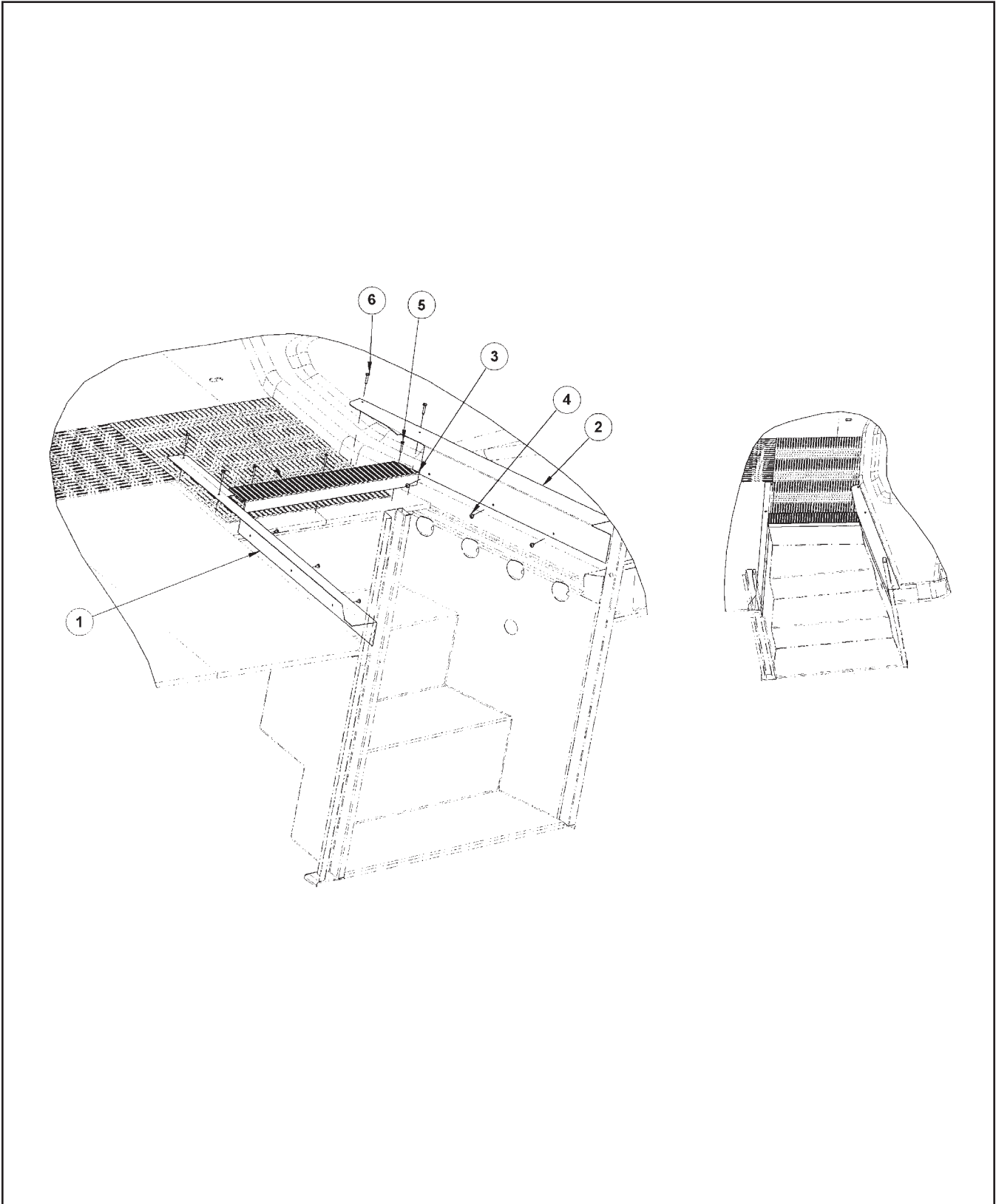
Sales / Data Code	Item Ref. Number	Description	Major Group
D6085XXXXX	1	Step Tread - 1st Step	Interior
	2	Step Tread - 2nd Step	
	3	Step Tread - 3rd Step	
	4	Step Tread Rubber	



# C2 PARTS REFERENCE MANUAL

Interior

D6086XXXXX - Trim - Stepwell





# C2 PARTS REFERENCE MANUAL

Interior

D6086XXXXX - Trim - Stepwell

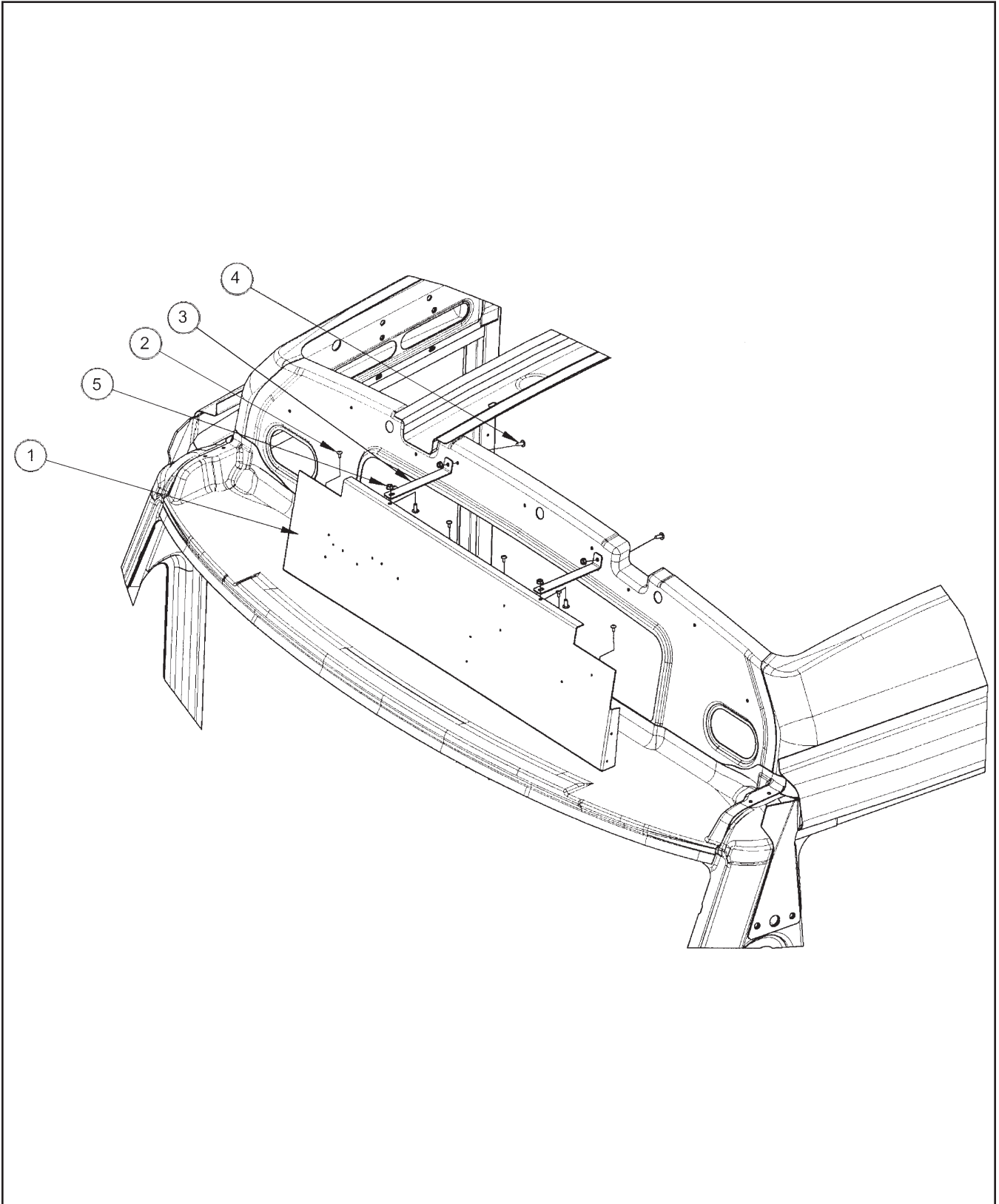
Sales / Data Code	Item Ref. Number	Description	Major Group
D6086XXXXX	1	Trim Angle - Stepwell, LS	Interior
	2	Trim Angle - Stepwell, RS	
	3	Stepwell Trim - Ribbed Nosing	
	4	Screw - Pan Head	
	5	Screw - Flat Head	
	6	Screw - Tapping	



# C2 PARTS REFERENCE MANUAL

Interior

D6091XXXXX - Panel - Accessory Mounting,  
Safety Equipment







# C2 PARTS REFERENCE MANUAL

Interior

D6091XXXXX - Panel - Accessory Mounting,  
Safety Equipment

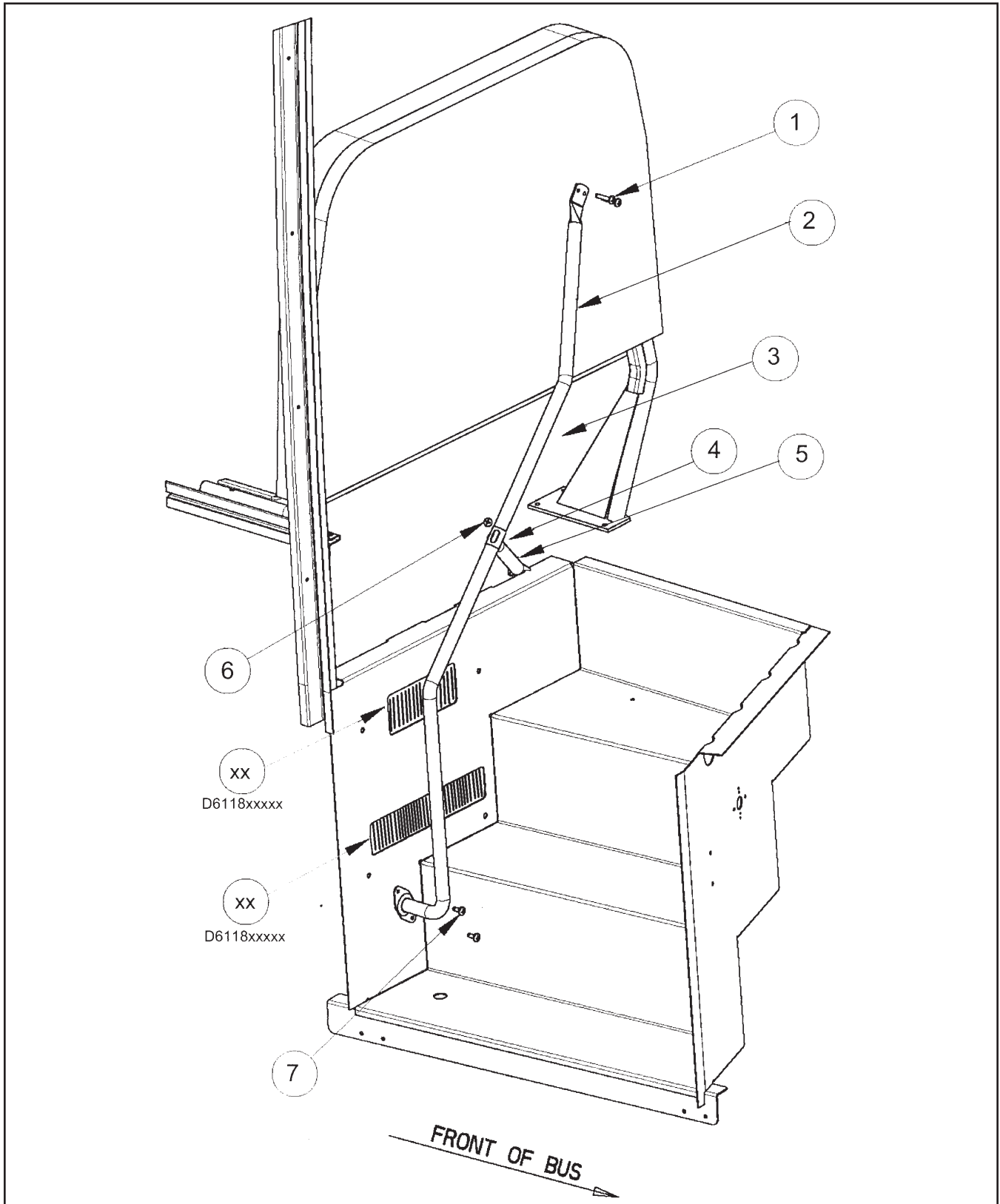
Sales / Data Code	Item Ref. Number	Description	Major Group
D6091XXXXX	1	Panel - Accessory, Front Overhead	Interior
	2	Screw - Truss Head	
	3	Brace - Accessory Panel	
	4	Screw - 1/4 - 20 x 5/8	
	5	Nut - Toothed Conical	



# C2 PARTS REFERENCE MANUAL

Interior

D6103XXXXX - Rail - Assist,  
Front Entrance Door, Left Side





# C2 PARTS REFERENCE MANUAL

Interior  
D6103XXXXX - Rail - Assist,  
Front Entrance Door, Left Side

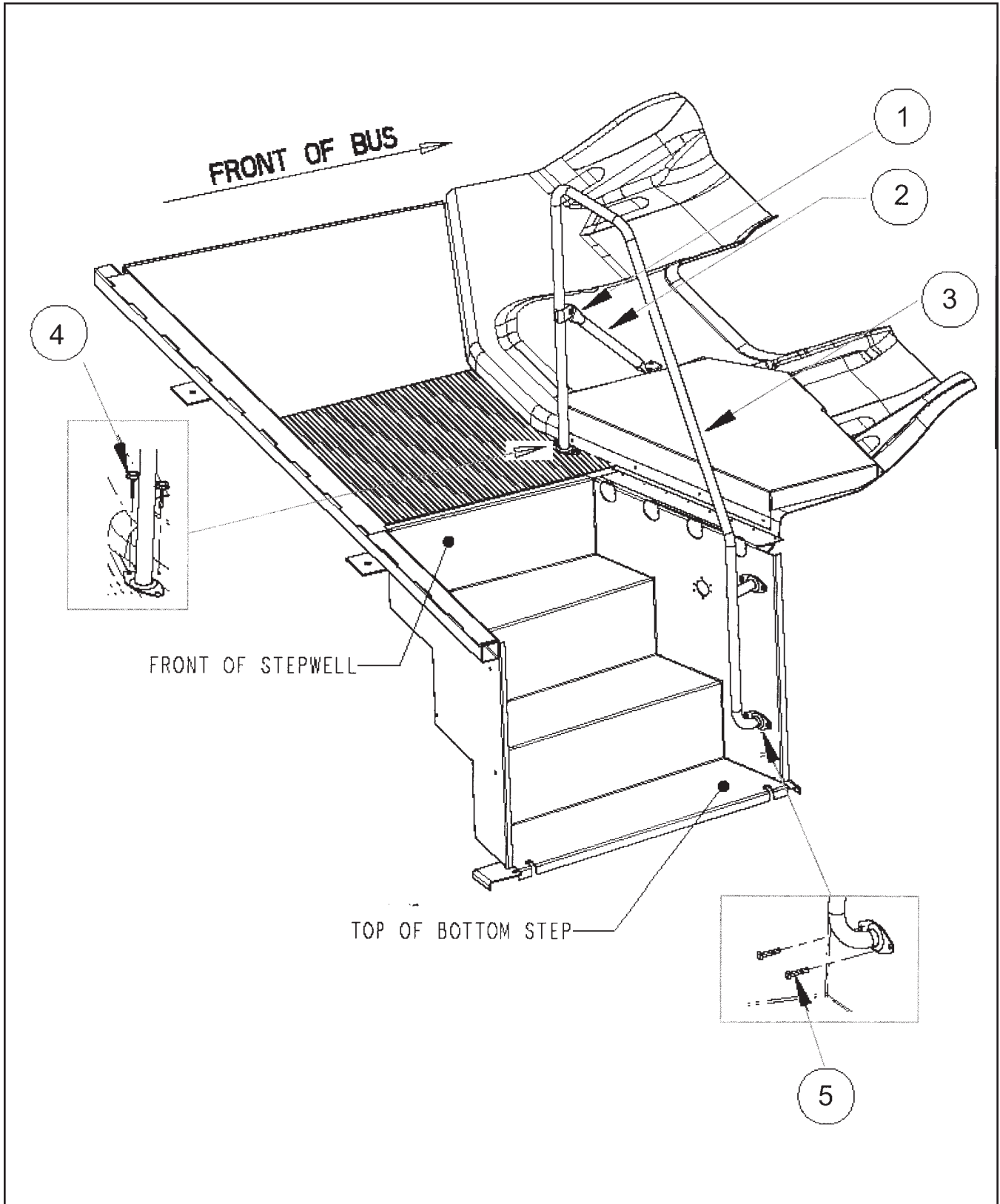
Sales / Data Code	Item Ref. Number	Description	Major Group
D6103XXXXX	1	Screw - Tapping, #14 x 1 1/2	Interior
	2	Assist Rail Assembly (Includes: Items # 3, 4, & 5)	
	3	Assist Rail	
	4	Clamp - Tube	
	5	Brace - Grab Rail to Seat Rail	
	6	Screw - Machine	
	7	Screw - Tapping, #14	



# C2 PARTS REFERENCE MANUAL

Interior

D6110XXXXX - Rail - Assist,  
Front Entrance Door, Right Side





# C2 PARTS REFERENCE MANUAL

Interior

D6110XXXXX - Rail - Assist,  
Front Entrance Door, Right Side

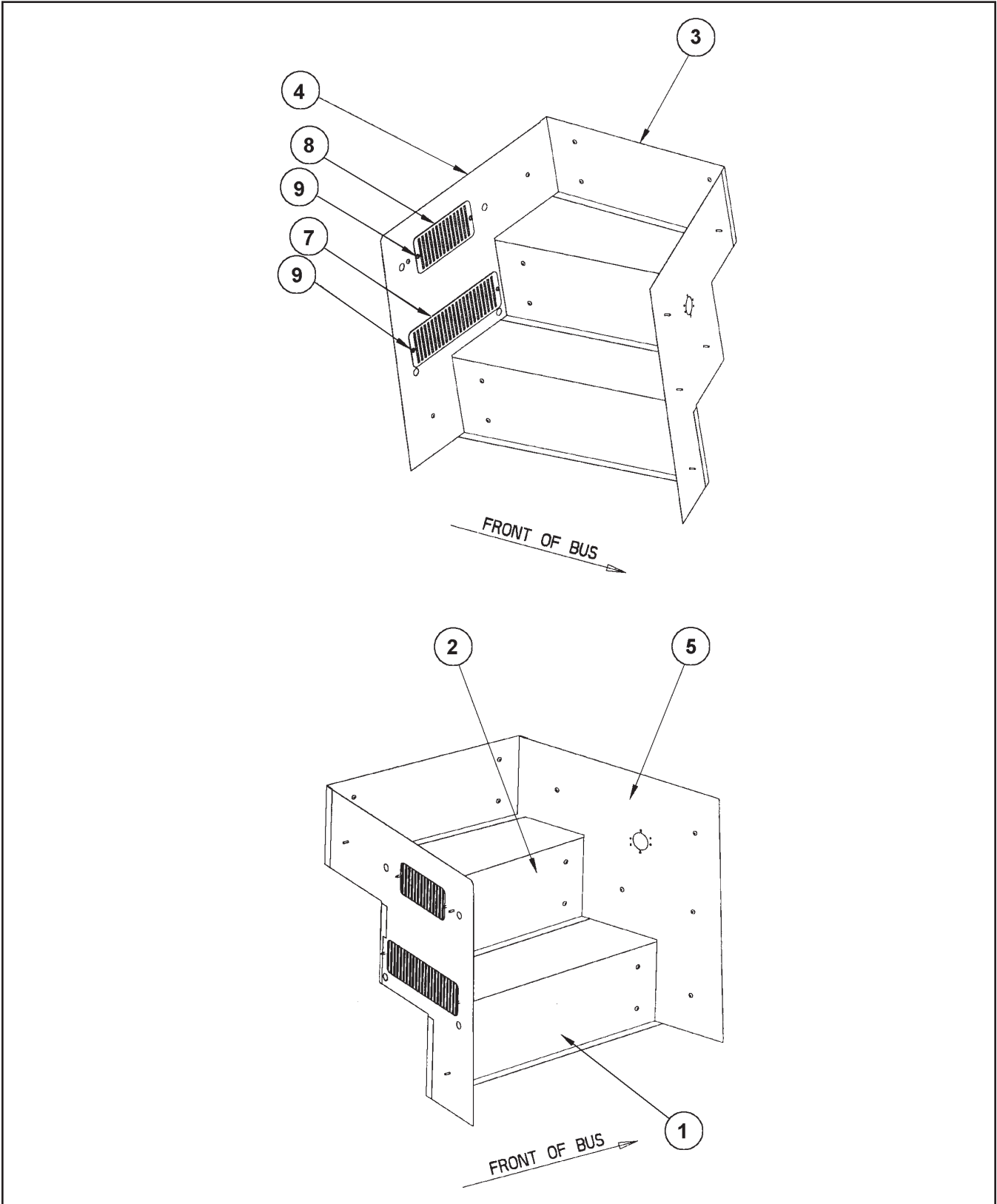
Sales / Data Code	Item Ref. Number	Description	Major Group
D6110XXXXX	1	Clamp - Tube	Interior
	2	Brace - Assist Rail	
	3	Assist Rail Assembly (Includes: Items # 1 & 2)	
	4	Screw - Oval Head	
	5	Rivet - 1/4 Dia.	



# C2 PARTS REFERENCE MANUAL

Interior

D6118XXXXX - Cover - Stepwell Riser,  
Right Side Entrance Door





# C2 PARTS REFERENCE MANUAL

Interior

D6118XXXXX - Cover - Stepwell Riser,  
Right Side Entrance Door

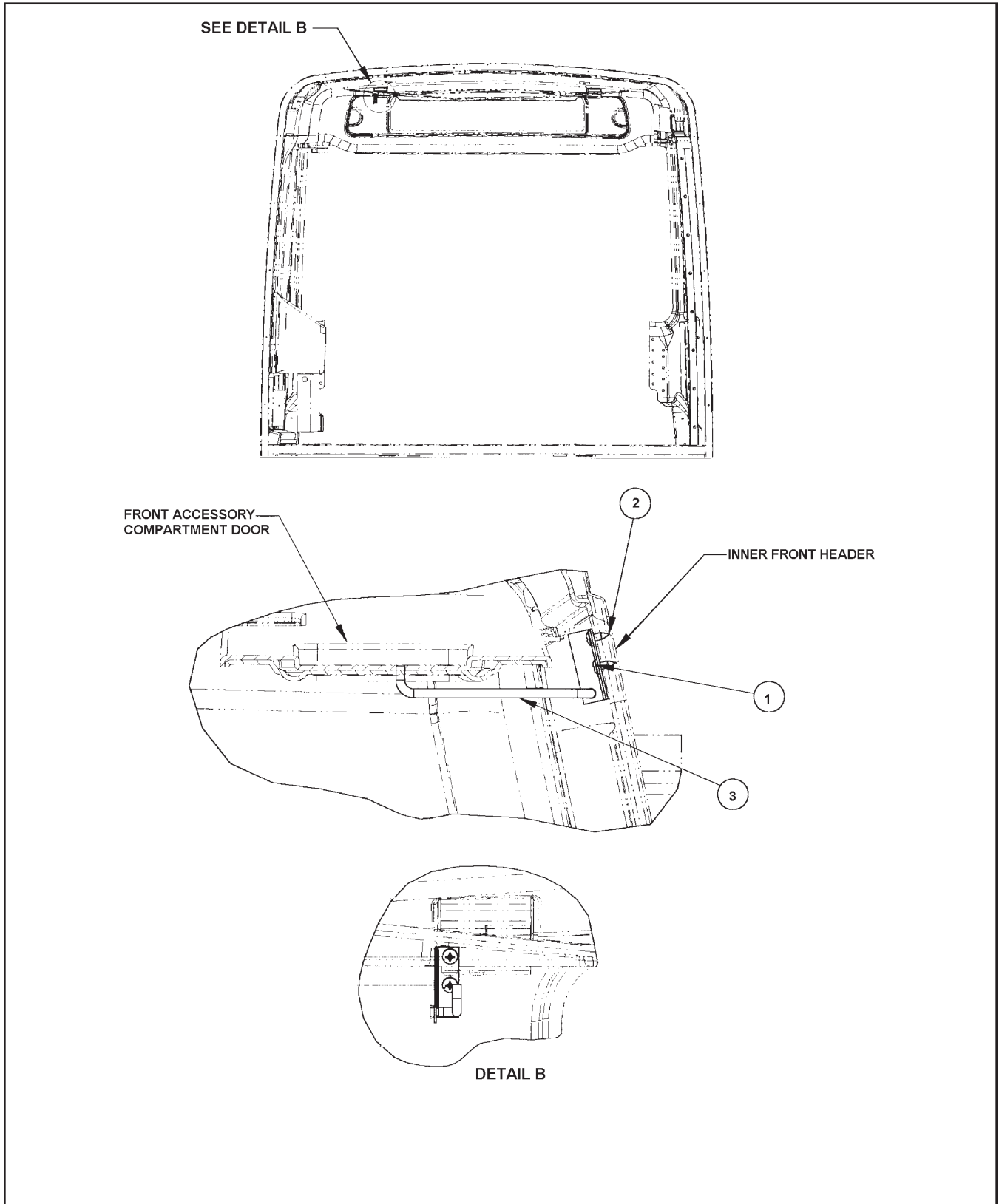
Sales / Data Code	Item Ref. Number	Description	Major Group
D6118XXXXX	1	Cover - Step Riser, 1st Step	Interior
	2	Cover - Step Riser, 2nd Step	
	3	Cover - Step Riser, 3rd Step	
	4	Cover - Stepwell, Aft, W/ Heater	
	5	Cover - Stepwell, Forward	
	7	Grille - Stepwell Heater, Lower	
	8	Grille - Stepwell Heater, Upper	
	9	Screw - Tapping	
	Not Shown:	Screw - Truss Head	



# C2 PARTS REFERENCE MANUAL

Interior

D6126XXXX - Prop Rod - Accessory Door,  
Over Windshield







# C2 PARTS REFERENCE MANUAL

Interior

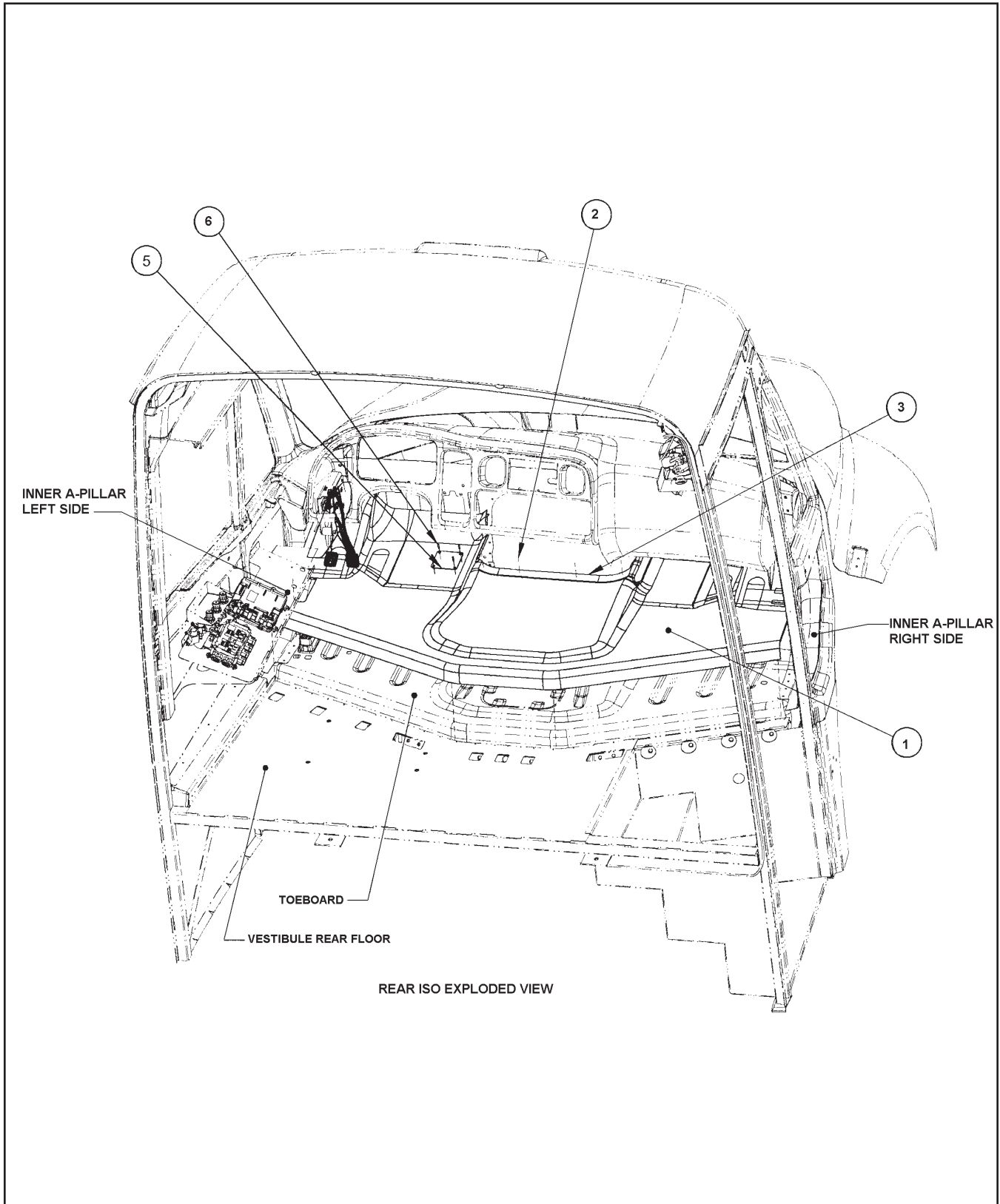
D6126XXXXX - Prop Rod - Accessory Door,  
Over Windshield

Sales / Data Code	Item Ref. Number	Description	Major Group
D6126XXXXX	1	Door Bracket - Prop Rod	Interior
	2	Screw - Tapping, #10	
	3	Prop Rod - Access	



# C2 PARTS REFERENCE MANUAL

Interior  
D6138XXXXX - Floor Mat  
Driver's Area





# C2 PARTS REFERENCE MANUAL

Interior

D6138XXXXX - Floor Mat

Driver's Area

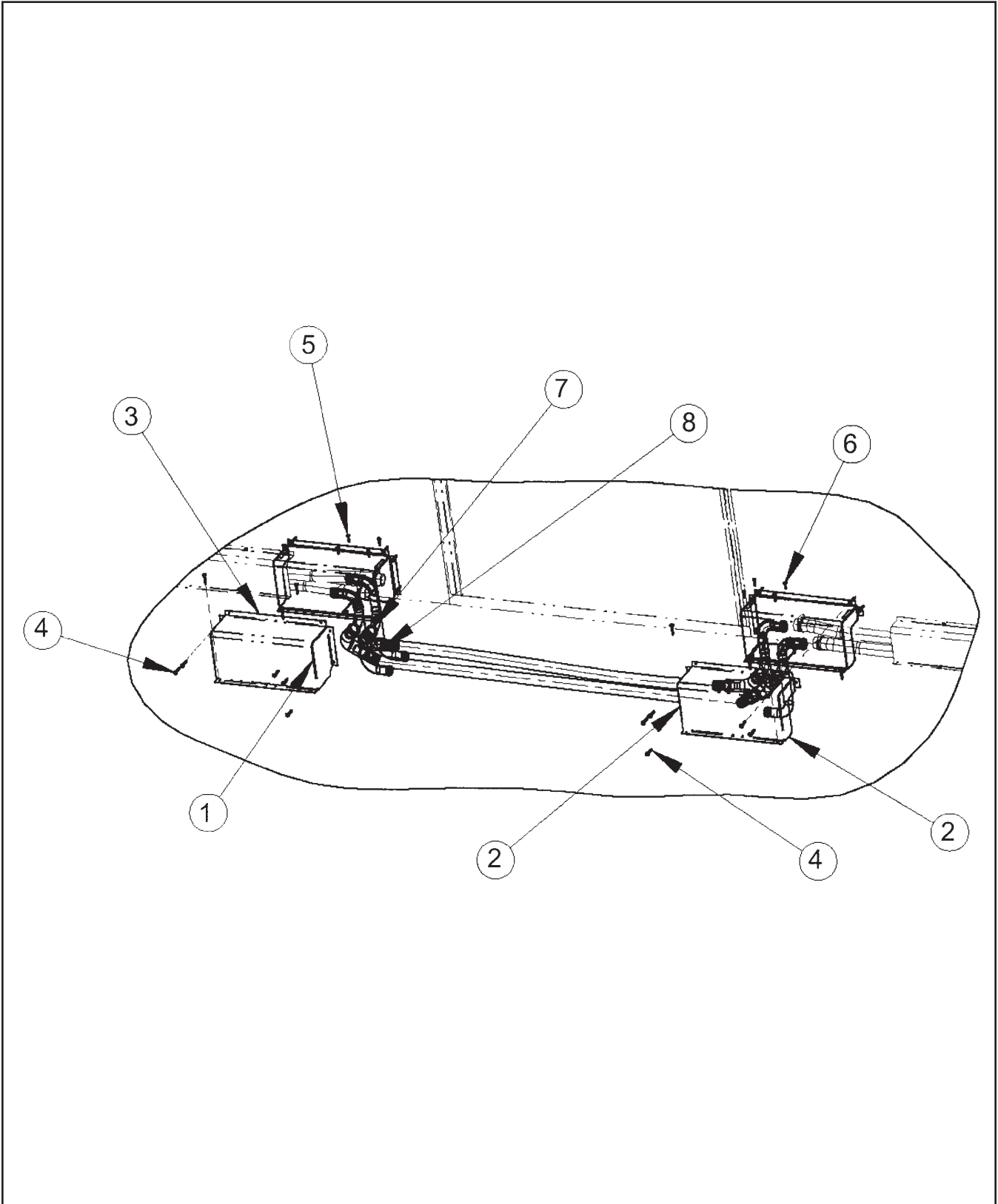
Sales / Data Code	Item Ref. Number	Description	Major Group
D6138XXXXX	1	Floor Mat - Toeboard	Interior
	2	Trim - Engine Cover	
	3	Screw - Tapping, Pan HD.	
	5	Foot Pad	
	6	Screw - Flat HD.	
	Not Shown:		
		Adhesive	



# C2 PARTS REFERENCE MANUAL

Interior

D6139XXXXX - Cover - Heater Hose,  
Side Emergency Door





# C2 PARTS REFERENCE MANUAL

Interior

D6139XXXXX - Cover - Heater Hose,  
Side Emergency Door

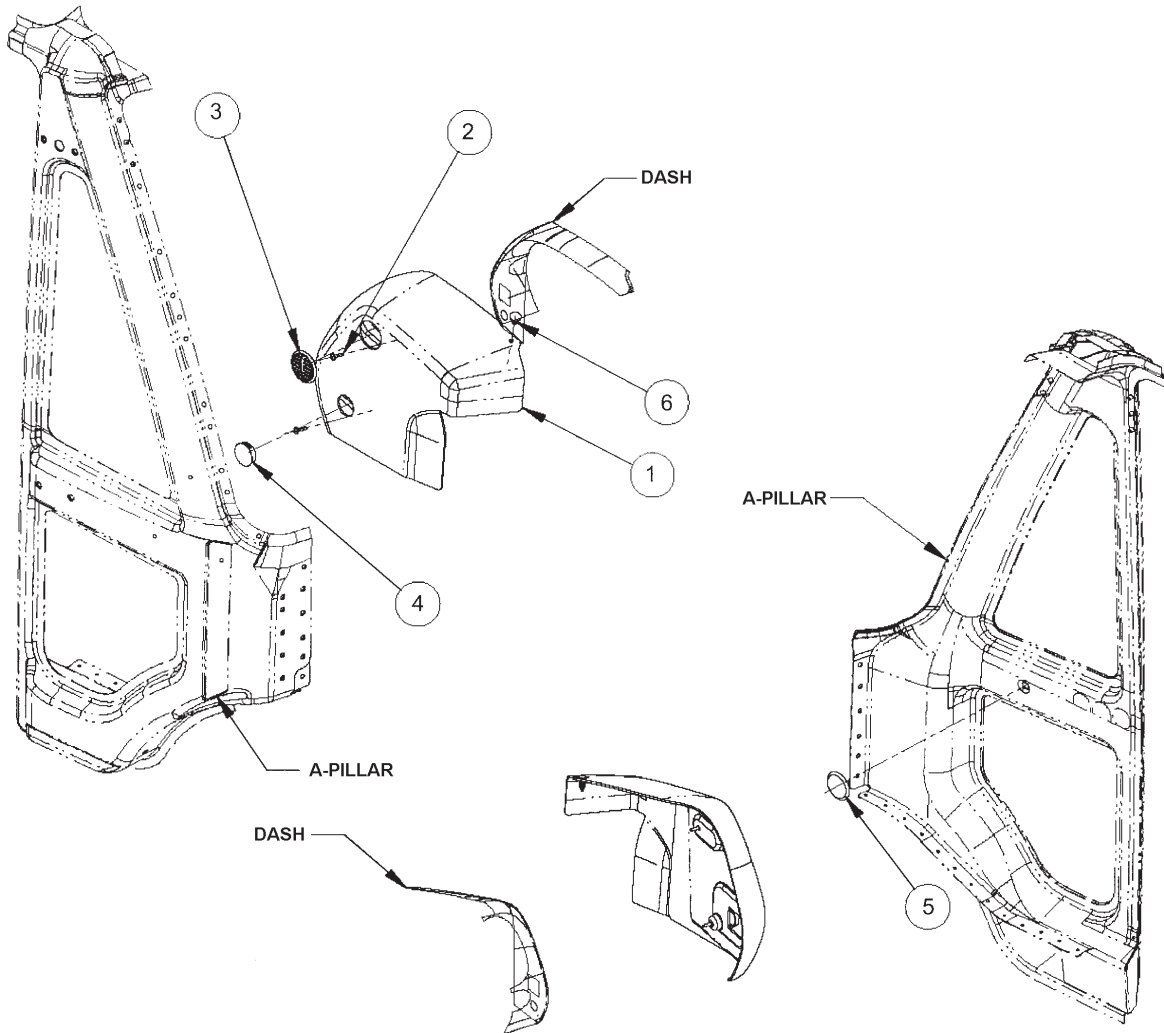
Sales / Data Code	Item Ref. Number	Description	Major Group
D6139XXXXX	1	Cover - Heater Hose, Rear Bulkhead	Interior
	2	Cover - Heater Hose, Front Bulkhead	
	3	Screw - Tapping, Truss HD.	
	4	Screw - Tapping, Pan HD.	
	5	Fitting - Bulkhead, Thru Floor, 1" ID Hose	
	6	Fitting - Bulkhead, Thru Floor, 1" ID HOSE	
	7	ELBOW - CURVED	
	8	NIPPLE - PLASTIC, 1.00" x 3.00" HEATER HOSE	



# C2 PARTS REFERENCE MANUAL

Interior  
D6140XXXXX - Dash - End Caps /  
Ductwork / Trim

Start Date 2/11/05





# C2 PARTS REFERENCE MANUAL

Interior

D6140XXXXX - Dash - End Caps /  
Ductwork / Trim

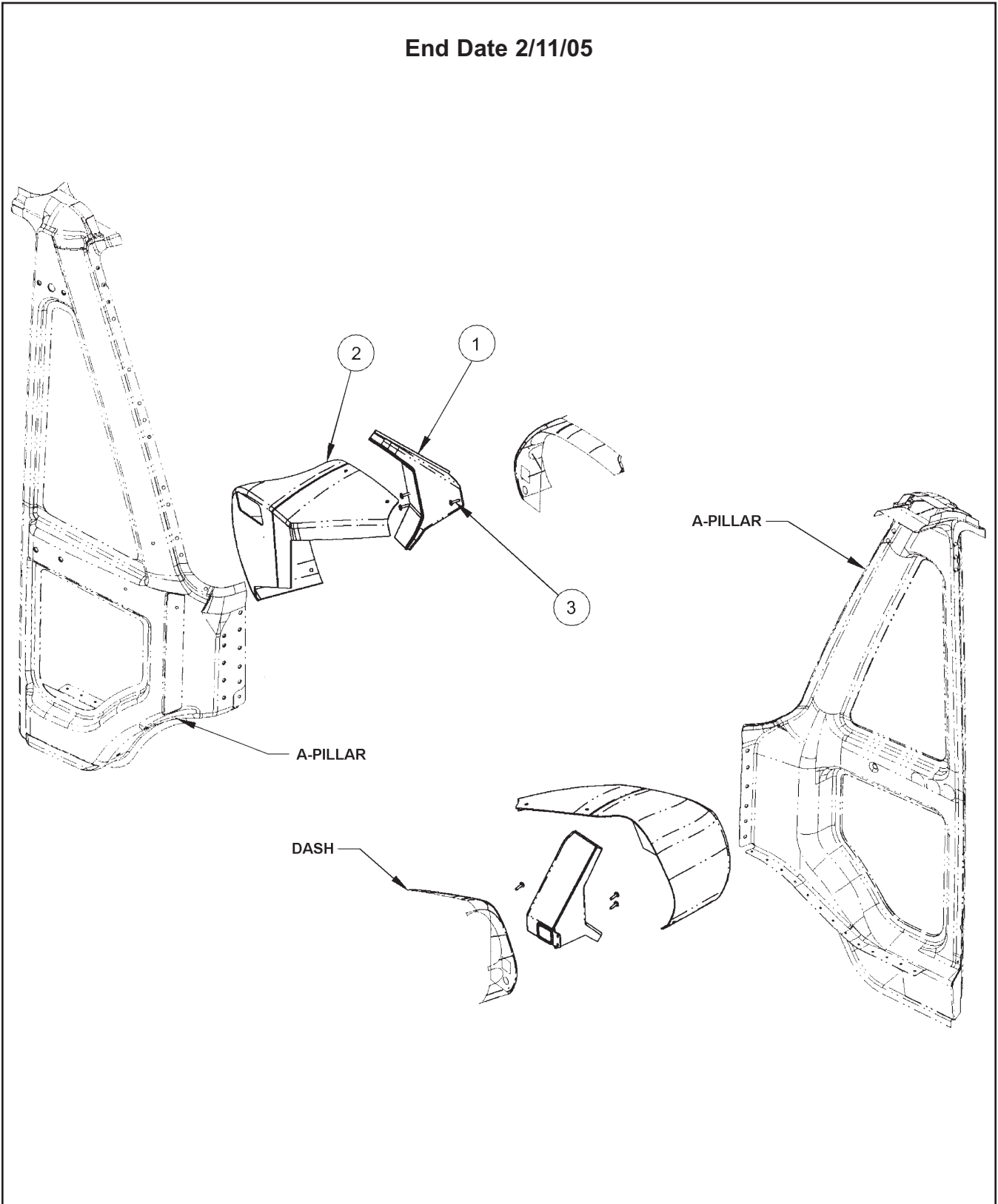
Sales / Data Code	Item Ref. Number	Description	Major Group
D6140XXXXX		<b><u>Start Date 2/11/05</u></b>	Interior
	1	Duct Asm. - Defroster	
	2	End Cap Asm. - Dash	
	3	Screw - Pan HD.	



# C2 PARTS REFERENCE MANUAL

Interior  
D6140XXXXX - Dash - End Caps /  
Ductwork / Trim

End Date 2/11/05







# C2 PARTS REFERENCE MANUAL

Interior

D6140XXXXX - Dash - End Caps /  
Ductwork / Trim

Sales / Data Code	Item Ref. Number	Description	Major Group
D6140XXXXX		<b><u>End Date 2/11/05</u></b>	Interior
	1	End Cap - Dash, RSr	
	2	Screw - Pan HD.	
	3	Louver - Round, Defroster	
	4	Cap - Switch Cabinet, Black Nylon	
	5	Plug - Plastic, 3/4" Black	
	6	Fastener - 1/4" Nylon	



## C2 PARTS REFERENCE MANUAL

**This page intentionally left blank.**