

Installation Instructions

SUB WOOFER STAND, ULTRA Adapter Kit Kit Part No. 26694601

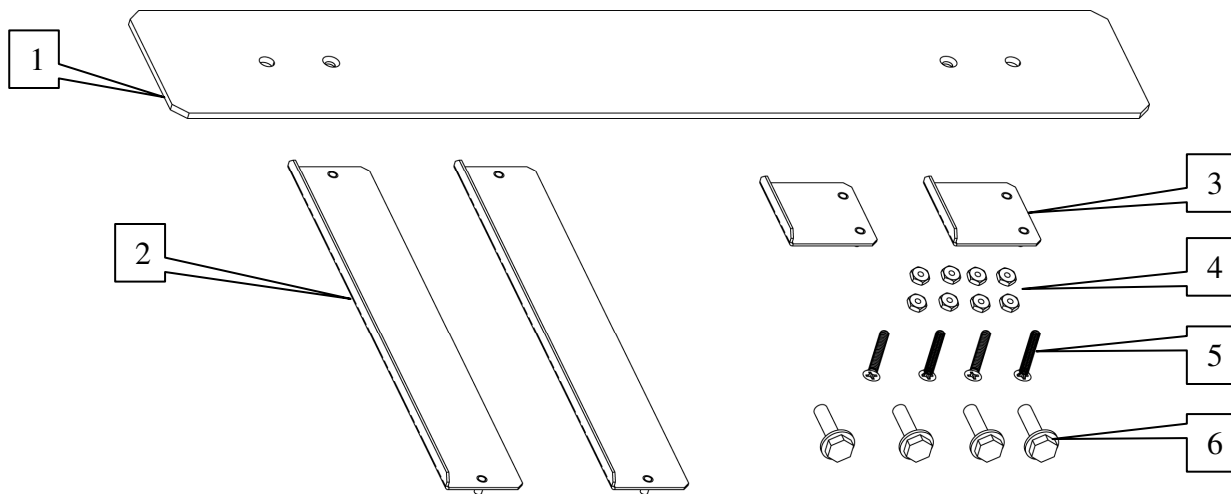
**This kit contains the parts to install an NGX ULTRA Jukebox
on an NGX Sub-Woofers Jukebox stand.**

Tools Required

#2 Phillips Head Screwdriver
5/16" Nut Driver
3/8" Nut Driver

Parts Included with this Kit

Kit 26694601			
Item #	Part Number	Description	Quantity
1	22341201	Spacer – Adapter (Ultra)	2
2	22341301	Brkt – Adapter (Lwr) (Ultra)	2
3	22341401	Brkt – Adapter (Uppr) (Ultra)	2
4	87842300	#6 – 32 Nut	8
5	80323016	#8 – 32 x 1" Flat Head Screw	4
6	80715716	#1/4 – 20 X 1" Hex Washer Head Screw	4
		These instructions	



Kit Parts



1. If connected, unplug the sub-woofer stand from the wall outlet.
2. Attach the two kit spacers (item 1) to the front of the stand (see Fig 2) using the kit flat head screws (item 5).

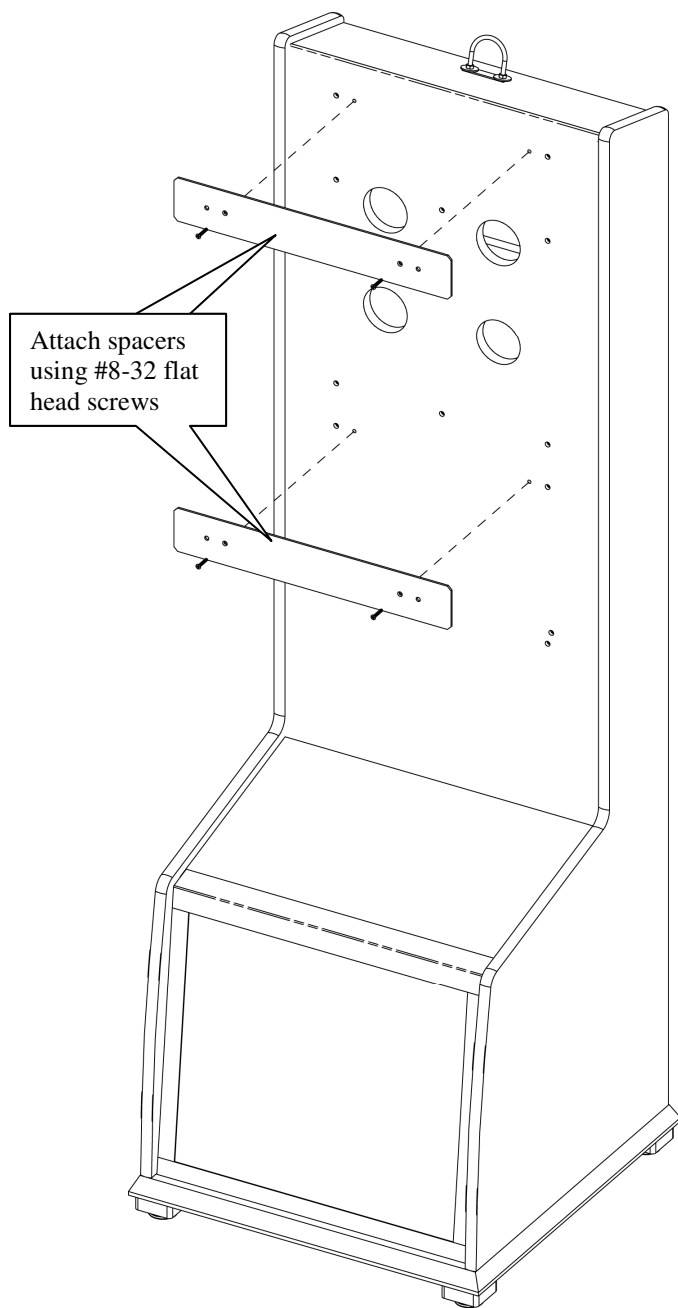


Fig 1.

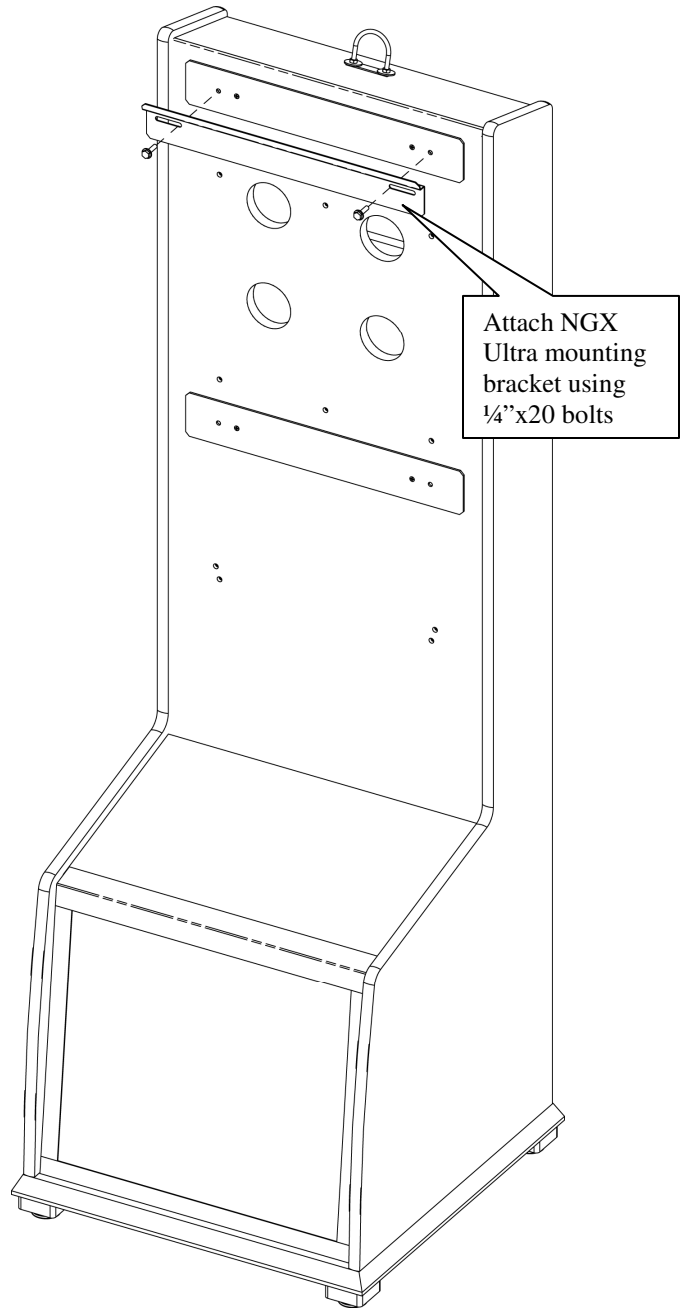


Fig 2.

3. Attach the wall mounting bracket (included with the Ultra jukebox) through the top spacer previously attached using two of the kit hex screws (item 6) (see Fig 3).
4. Referring to your Ultra manual, hang the jukebox on the mounting bracket previously installed, insuring the jukebox is centered left to right; secure the Ultra jukebox to the stand with the remaining two hex screws through the lower mounting slots of the jukebox.
5. Viewing the back of the stand, there are four openings on the back of the Ultra jukebox which must be covered (see Fig 3). Referring to figure 3, attach the kit brackets (items 2 and 3) as shown and secure from the inside of the Ultra jukebox with the hex nuts (item 4) supplied with the kit.

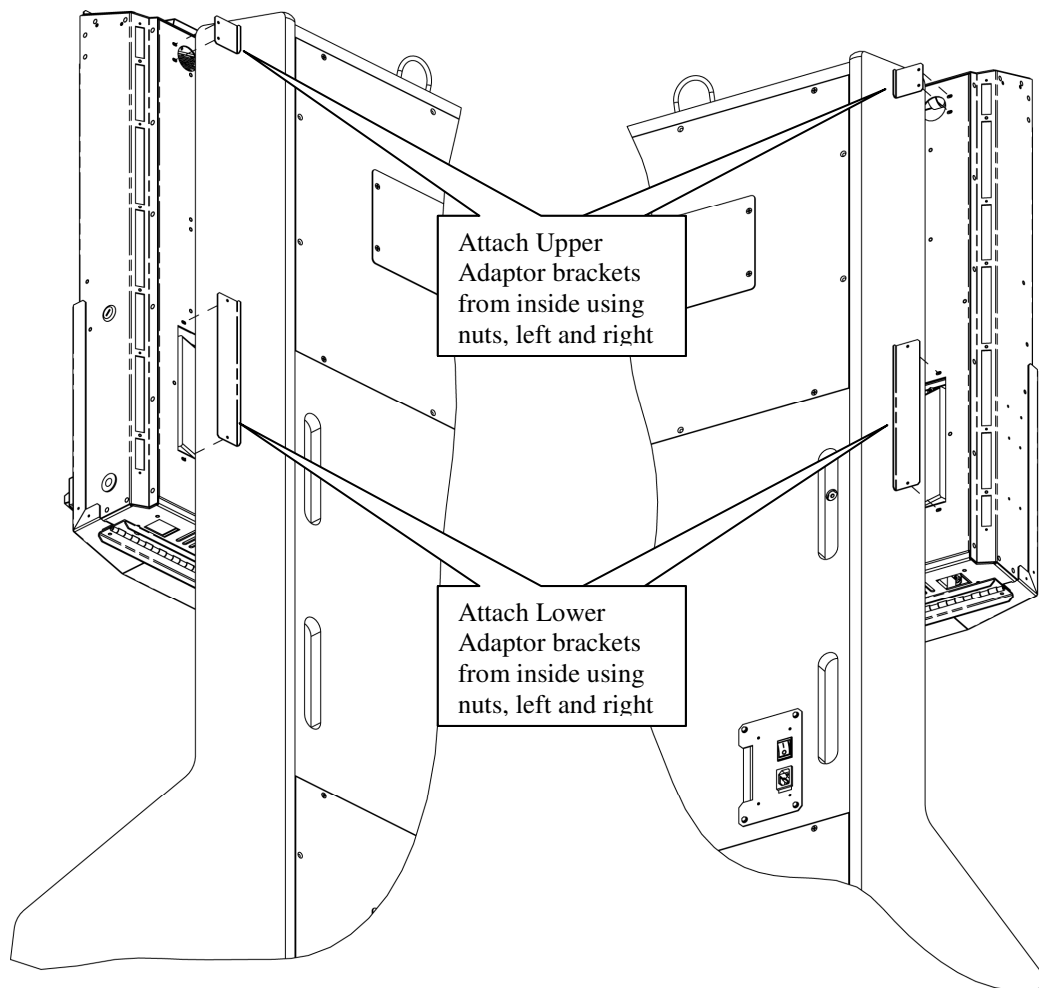


Fig 3.

6. Refer to the Sub Woofer Stand installation instructions (26723151) for further information.

