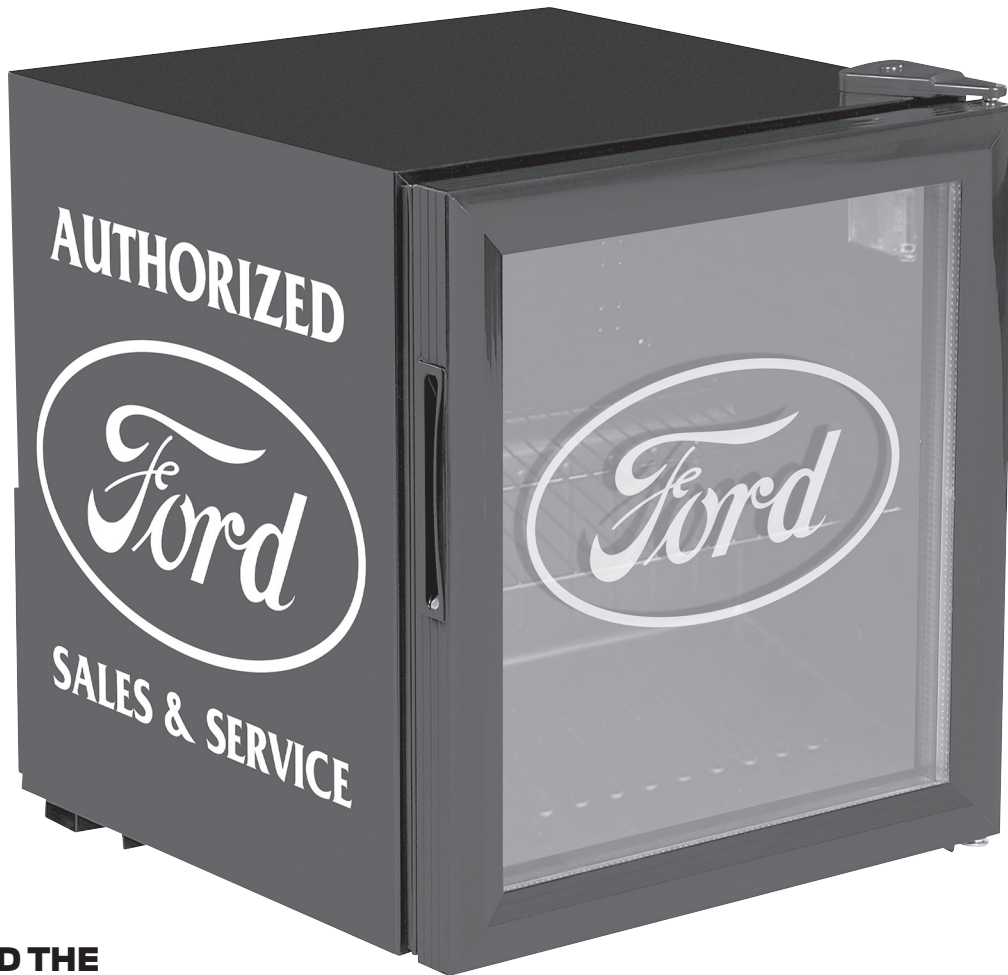




Instruction Manual Ford Beverage Chiller



**PLEASE READ THE
INSTRUCTION MANUAL
CAREFULLY**

Climate Class	N
Storage Temperature	0°-10°c (32°- 50°f)
Anti-shock Protection Class	I
Capacity	50 L. (1.77 cu. ft.)
Rated Voltage	120 V 220 V
Rated Frequency (Hz)	50 60
Power (W)	82
Refrigerant / Charging (g)	R134a / 45
Net Weight	20 kg (44 lb.)
Exterior Dimension	435 mm W x 475 mm D x 500 mm H (17.125" W x 18.6875" D x 19.6875" H)

SET UP AND INSTALLATION

- When carrying the unit, keep the unit vertical, the angle of inclination between sides of the unit and horizontal plane should be over 50 degrees, otherwise it will cause problems with the compressor and affect normal operation of the unit.
- After unpacking the unit, remove the packing materials and place the unit on a level and sturdy surface near power supply.
- Be sure to leave at least 8 inches (20 cm) of distance between the back of the unit and wall for ventilation and leave a space with an open angle of 160 degrees for door.
- Keep the unit away from heat sources and avoid direct sunlight.
- Never place the unit in a location where water can reach it or there is high moisture.

PREPARATION

- Power preparation: the unit must use special three-hole socket with fuse and well grounded; Never ground the unit through a gas pipe, tap water pipe and the grounded wire of single-phase power supply etc. The power supply should be Alternating Current (A.C.) with voltage ranging from 187 V to 242 V, it should need a voltage stabilizer of over 500 VA if power supply is out of this range. Never share same circuit with other appliances.
- Operation test: close the door and plug in. Test light, the light on/off switch is located on the back, right of the unit. Half hour after powers on, the temperature inside cabinet will cool down, this means the unit is operating normally.

SAFETY PRECAUTIONS

- Do not damage power cord or plug.
- Avoid placing the unit in or around water.
- Do not store hazardous or flammable materials in unit.
- Once the unit is unplugged, wait five minutes before plugging the unit in again.
- Not for the storage of pharmaceutical products.

STORAGE OF ARTICLES

- To avoid breakage, items packaged in glass should not touch sides of unit.
- Allow space between items for better cooling.
- Placing warm items in the beverage chiller will heighten the temperature; allow hot items to cool before placing in unit.

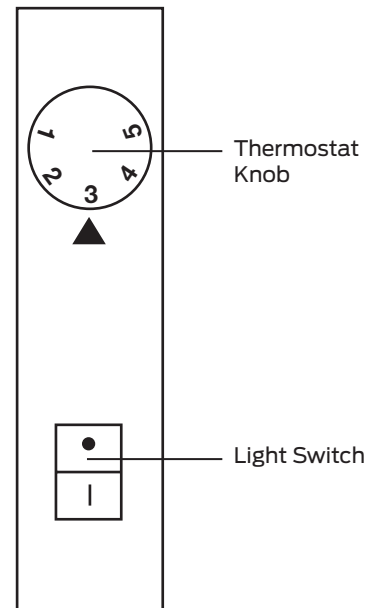
SETTING AND ADJUSTMENT OF TEMPERATURE

The internal temperature of the unit can be controlled by turning the thermostat knob on the control panel located on the back of the unit. (See illustration.) 1 is the warmest setting, 5 the coolest.

NORMAL OPERATION

- Sound of refrigerant flowing in compressor is normal.
- Warm surface temperature around the compressor or condenser is normal.
- Condensation on the casing or the door in humid conditions is normal, clear condensation with a soft, dry cloth.

CONTROL PANEL



MAINTENANCE

Unplug before maintaining your beverage cooler.

- Remove dust from the condenser regularly for more efficient operation.
- Keep the door gasket clean and free of debris for effective insulation.
- Bulb replacement – this beverage cooler contains an LED light that will illuminate the interior for the life of the unit. Turning the light off when it is not needed will insure long life. The switch is located on the back of the unit on the control panel. Contact BrandedProducts.com for a replacement bulb.

CAUTION

- Place this unit in a location where environmental conditions are controlled with an ambient temperature does not exceed 90 degrees Fahrenheit. (32 degrees Celsius)
- Do not place the unit in direct sunlight.
- Not suitable for the storage of pharmaceutical or biological products.
- Avoid placing heavy items on top of the unit.
- This beverage chiller is intended for the storage of packaged products only.
- Do not use this beverage chiller to store potentially hazardous foods.
- Allow room for ventilation around the unit.
- Do not use heat to accelerate the defrosting process.
- Do not attempt to service this unit yourself.

TROUBLESHOOTING GUIDE

Problem	Causes	Solving Problem
Unit does not operate	Bad electrical connection	Check connection to power
Compressor operates but does not cool	Refrigeration system could have leak or blockage	Contact a qualified repair specialist
Compressor operates continuously, unit is too cold	Thermostat is not working or the thermostat is separated from the unit	Contact a qualified repair specialist for thermostat repair or tighten the screw on the sensor cover
Internal temperature is too warm, compressor is operating continuously	Too many warm items placed in unit, door not completely closed	Reduce the number of warm items in the unit, close door.
Unit is noisy	Unit is not level	Adjust legs

WARRANTY

Free replacement of any part that fails within 90 days from date of purchase, excluding shipping costs. Void if damaged by misuse, accidents, alterations, failure to follow instructions, fire, flood, and acts of God.

If you have any questions or comments, please contact us at: **BrandedProducts.com**



Ace Product Management Group, Inc.
Milwaukee, WI U.S.A.