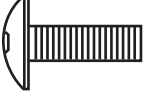

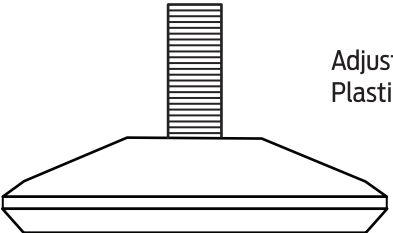




Assembly Instructions FOOTREST CAFÉ TABLE

PLEASE READ THESE ASSEMBLY INSTRUCTIONS CAREFULLY.

Actual Size Match up hardware with diagrams shown below

Hardware List		
Description and Size		Qty
 Small Bolt		5
 Large Bolt		2
 Adjustable Plastic Feet		4

Parts List	
Qty	Description and Size
1	Acrylic Top
1	Mounting Plate
1	Chrome Plated Column
1	Chrome Plated Footrest
1	Chrome Plated Footrest Collar
1	Base
2	Allen Keys

CLEANING:

Please use water and a mild cleaning solution to wipe acrylic surface.

WARRANTY:

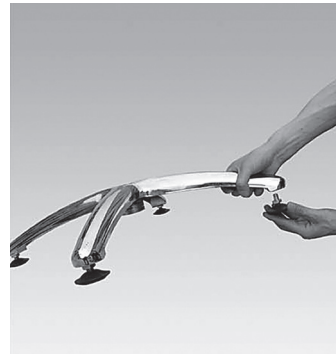
Free replacement of any part that fails within 90 days from date of purchase, excluding shipping costs. Void if damaged by misuse, accidents, alterations, failure to follow instructions, fire, flood, and acts of God.

If you have any questions or comments, please contact us at:

BrandedProducts.com



Ford Motor Company trademarks and trade dress used under license to Ace Product Management Group, Inc. fordmotorcompany.com



Step 1: Screw in adjustable feet levelers to base.



Step 2: Slide footrest base into the center of column.



Step 3: Slide footrest collar onto the column as shown.



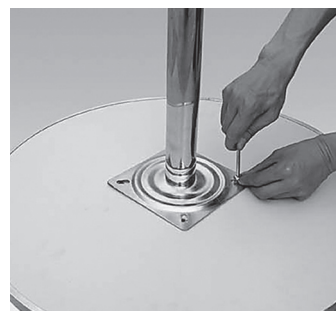
Step 4: Slide the column along with footrest and footrest collar into the base.



Step 5: Fasten footrest into the column with small bolt to prevent from spinning.



Step 6: Secure mounting plate to column with large bolts.



Step 7: Turn over assembled table base and securely tighten with small bolts to underside of tabletop.



Step 8: Stand café table upright and double check all bolts for tightness. Adjust table balance by tightening or loosening the adjustable feet.