



# MINOTOUR

## PARTS REFERENCE MANUAL

### EXTERIOR

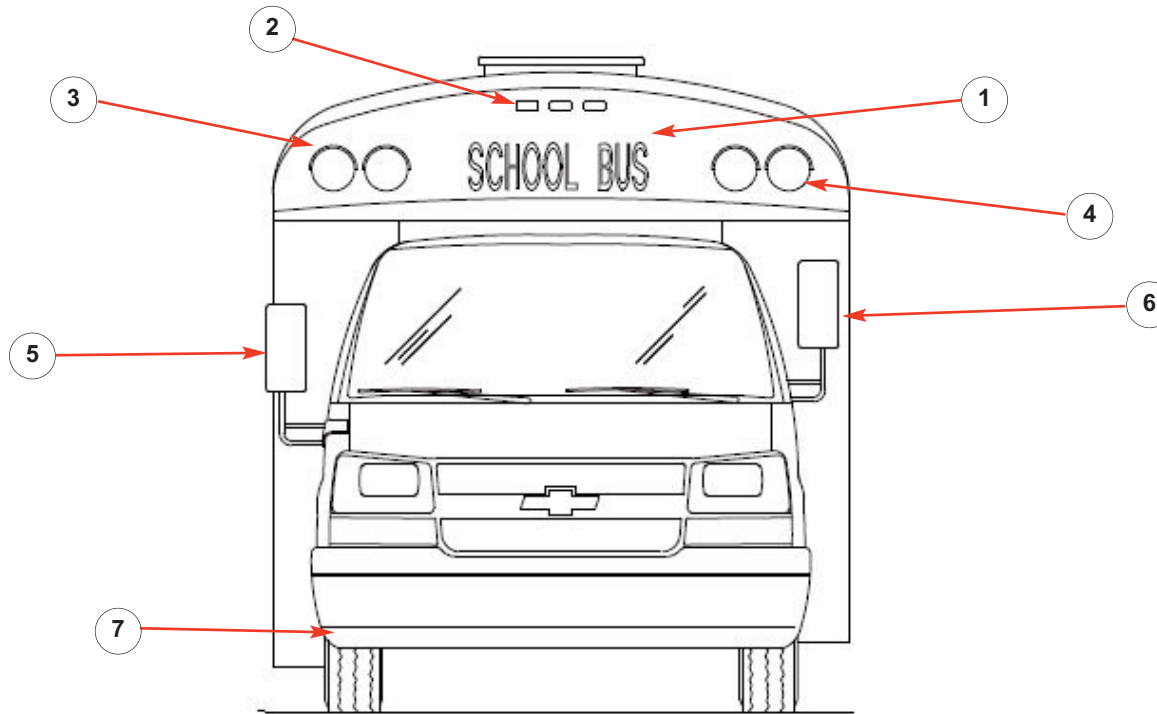


# TABLE OF CONTENTS

## EXTERIOR

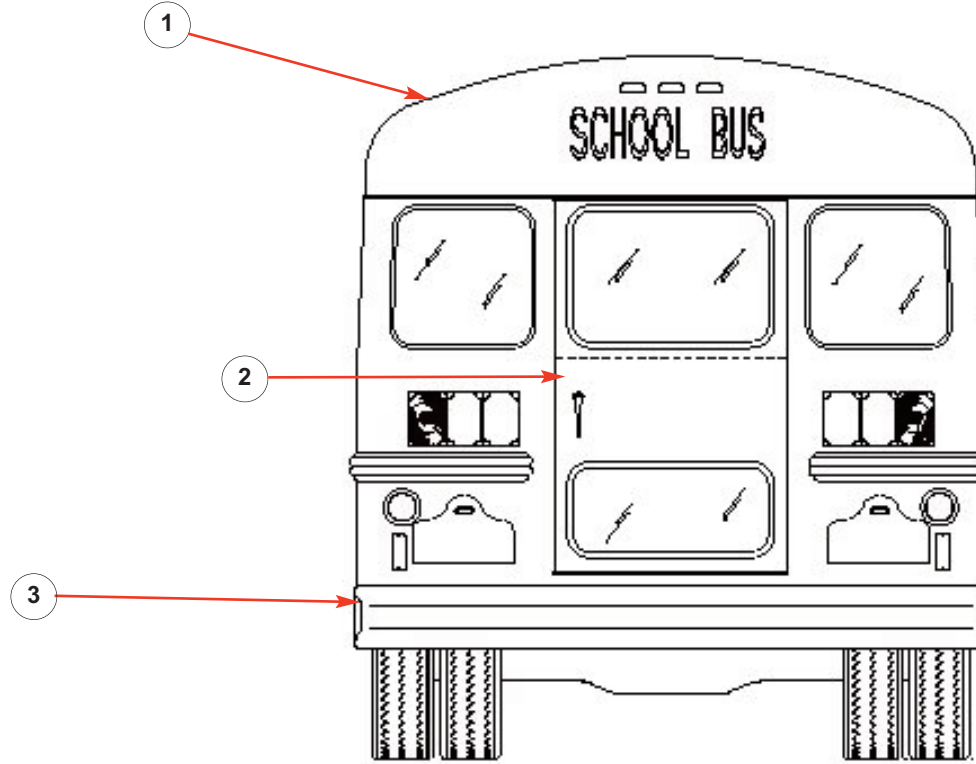
	PAGE
FRONT.....	2
REAR.....	3
<b>RIGHT SIDE</b>	
BODY PARTS, WINDOWS/GLASS, ETC. ....	4-5
LIFTS / WHEELCHAIR .....	6
<b>LEFT SIDE</b>	
BODY PARTS, WINDOWS/GLASS, ETC. ....	8-9
<b>LIGHTS</b>	
RIGHT SIDE , LEFT SIDE.....	10
REAR.....	11
LIGHTS - REFLECTORS, RIGHT SIDE, LEFT SIDE & REAR.....	12
<b>MIRRORS</b>	
INTERIOR .....	13
INTERIOR - CONVEX .....	14
EXTERIOR .....	15
GLASS / WINDOWS - RIGHT SIDE .....	16
GLASS REAR VIEW .....	17
BATTERY BOX - RIGHT SIDE, LEFT SIDE .....	18
MISCELLANEOUS - ACCESSORIES, LEFT SIDE.....	19

# FRONT



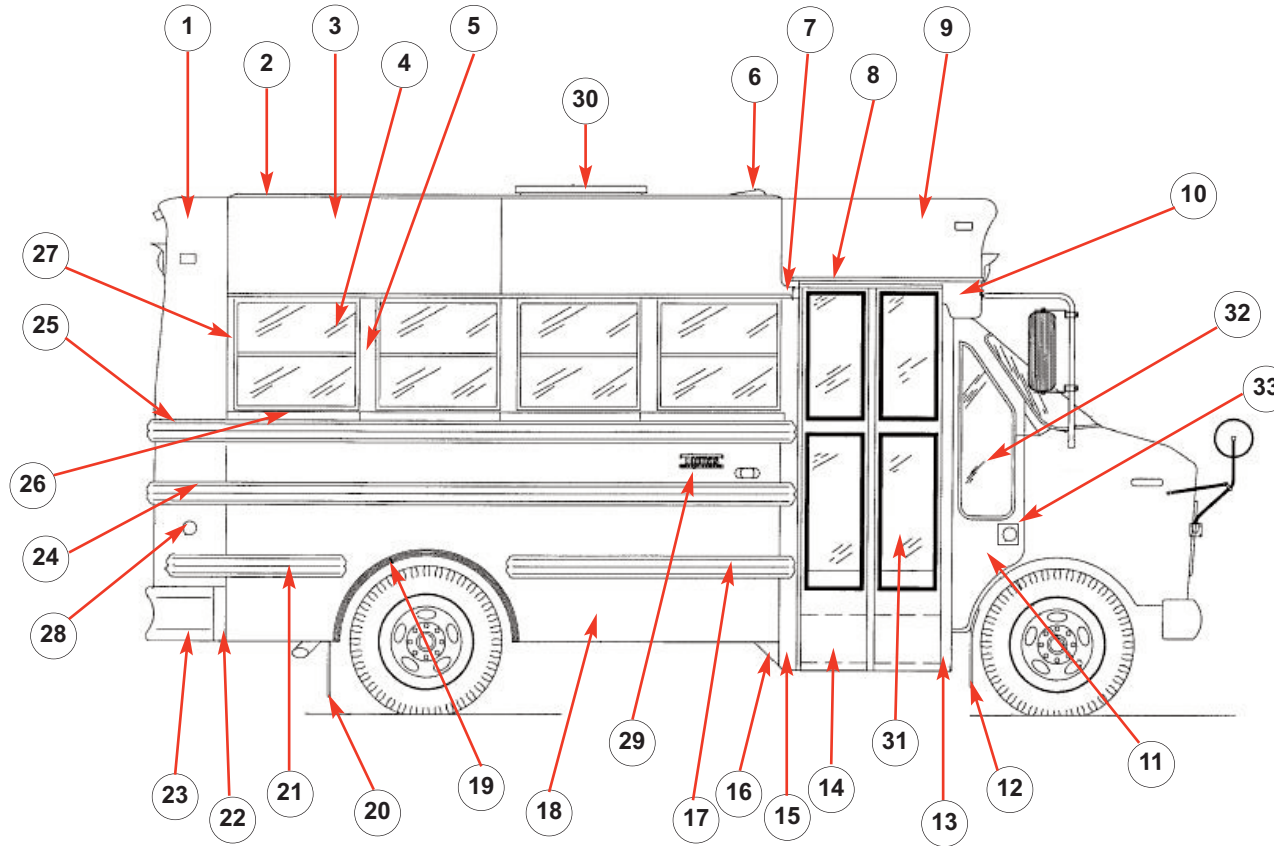
REF. NUM.	ITEM DESCRIPTION	MODULE (0M0L)	MODULE DESCRIPTION
1	SCHOOL BUS DECAL	35KLXX	DECAL-SCHOOL BUS, FRONT
2	LIGHT ASSY.	37GXXX	LIGHT-CLUSTER FRONT AND REAR, STD.
3	VISOR, WARNING LIGHTS	37AXXX	LIGHTS-WARNING
4	WARNING LIGHTS	37AXXX	LIGHTS-WARNING
5	MIRROR ASSY., RS	19BGXXX	MIRRORS-MIRROR ASM, RS
6	MIRROR ASSY., LS	19BFXXX	MIRRORS-REAR VIEW, LS
7	CROSSING CONTROL ARM	13BTXX	CROSSING ARM ASSY.

# REAR



REF. NUM.	ITEM DESCRIPTION	MODULE (0M0L)	MODULE DESCRIPTION
1	FIBERGLASS CAP ASSY.	18BQBXX	EXTERIOR PANELS-REAR END
2	REAR EMERGENCY DOOR	14ACXX	DOOR-REAR EMERGENCY
3	REAR BUMPER	06AHXX	BUMPER-REAR
N/S	TOW HOOKS-REAR BUMPER	06AJXX	BUMPER-TOW HOOKS

## RIGHT SIDE - BODY PARTS, WINDOWS/GLASS, ETC.



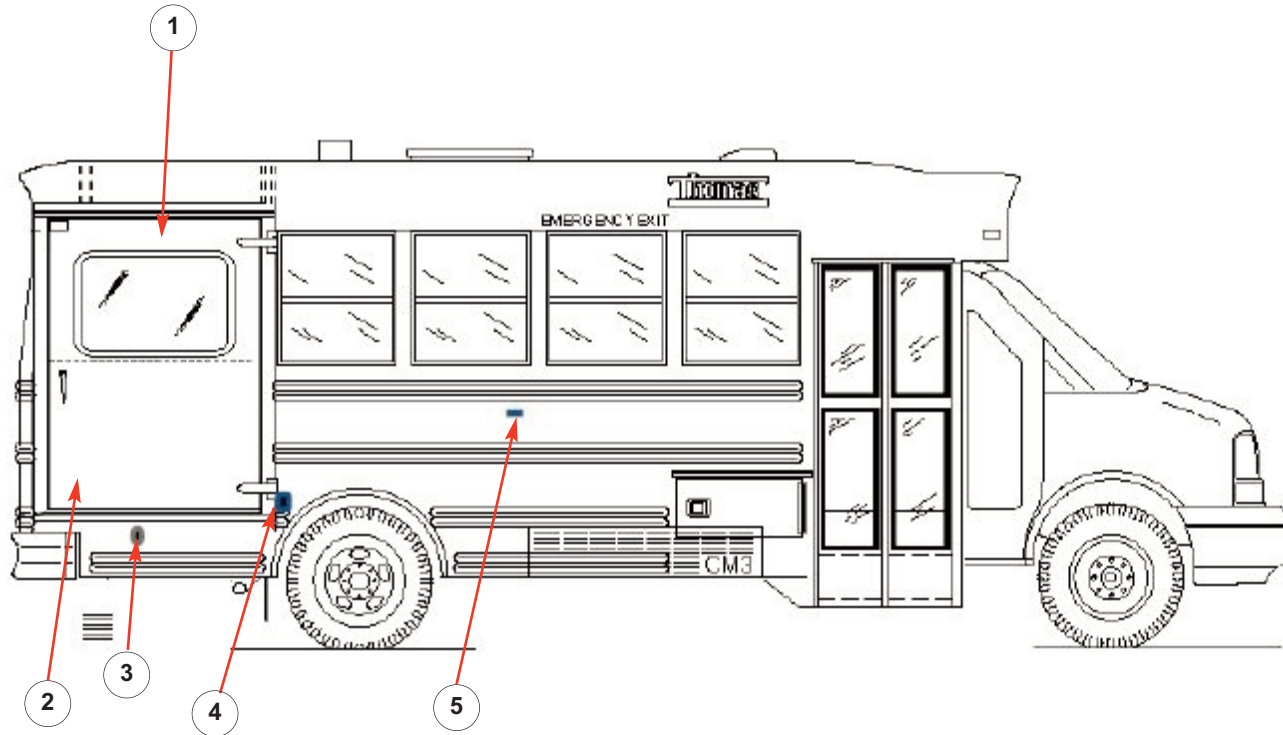
REF. NUM.	ITEM DESCRIPTION	MODULE (0M0L)	MODULE DESCRIPTION
1	REAR CAP, FIBERGLASS	18ABXX/18BQXX	EXTR PANELS-REAR END
2	ROOF RAIL	05ACXX	VENTILATOR-STATIC VENT, STD.
3	ROOF SHEET	43AA/AB/ALXX	ROOF PANELS
4	WINDOW/SASH	25AD/AE/ALXX	WINDOWS/GLASS
5	PILASTER	18AL/AKXX	EXTR. PANELS-PILASTER
6	ROOF VENTILATOR	53AAXX	VENTILATOR-STATIC VENT



## RIGHT SIDE - BODY PARTS, WINDOWS/GLASS, ETC.

REF. NUM.	ITEM DESCRIPTION	MODULE (0M0L)	MODULE DESCRIPTION
7	END CAP-DRIP MOLDING	14CD/BV/BUXX	DOOR-FRONT ENTRANCE
8	DRIP MOLDING, ENT. DOOR	59ABXX	MODIFICATION-MISC
9	FRONT HOOD	43AJXX/43ATXX	ROOF PANELS-FRONT CAP
10	TRANSITION PANEL	18AVXX	EXTR PANELS-FRT END
11	OUTER VISION PANEL	18AVXX	EXTR PANELS-FRT END
12	MUD FLAP, FRONT	38AVXX	MUD FLAP-FRONT ( DRW )
	MUD FLAP, FRONT	38AVXX	MUD FLAP-FRONT ( SRW )
13	POST TRIM, FRT., ENT. DOOR	05APXX	BODY STRUCTURE-FRT. FRAME
14	DOOR ASSY., FRONT ENT.	14BVXX/14DUXX	DOOR-FRONT ENTRANCE
15	POST TRIM, REAR, ENT. DOOR	14BVXX	DOOR-FRONT ENTRANCE
16	TRIM, DOOR POST	18AVXX	EXTR PANELS-FRT END
17	GUARD RAIL, RS, FRT.	28AXXX	GUARD/BELT RAIL
18	SIDE SHEET, RS	18ACXX	EXTR. PANELS-SIDE SHEET
19	FENDERETTE	18AIXX	EXTR. PANELS-FENDERETTE
20	MUD FLAP, REAR	38AXXX/38AZXX	MUD FLAPS-REAR
21	GUARD RAIL, RS, LOWER	28AXXX	GUARD/BELT RAIL
22	BUMPER TRIM	06AXX/06AHXX	BUMPER-REAR
23	BUMPER ASSY.	06AXX/06AHXX	BUMPER-REAR
24-25	GUARD RAILS	28AXXX	GUARD/BELT RAIL
26	WINDOW CAPPING, RS	18ANXX	EXTR. PANELS-WINDOW SILL
27	PILASTER, REAR, RS	18AKXX	EXTR. PANELS-PILASTER
28	REFLECTOR, RED	37ADXX	LIGHTS-REFLECTOR
29	NAMEPLATE, TBB LOGO	15ABXX	PLATE-LABEL,NAME
30	ESCAPE HATCH	44BEXX	ROOF HATCH
31	GLASS ASSY., ENT. DOOR	25ALXX	GLASS-FRONT ENTRANCE DOOR
32	VISION PANEL GLASS	25ABXX	GLASS-FRONT STATIONARY
33	KEY SWITCH	14EKXX	DOORS- EXT. KEY SWITCH, ELEC DOOR

## RIGHT SIDE - LIFTS / WHEELCHAIR

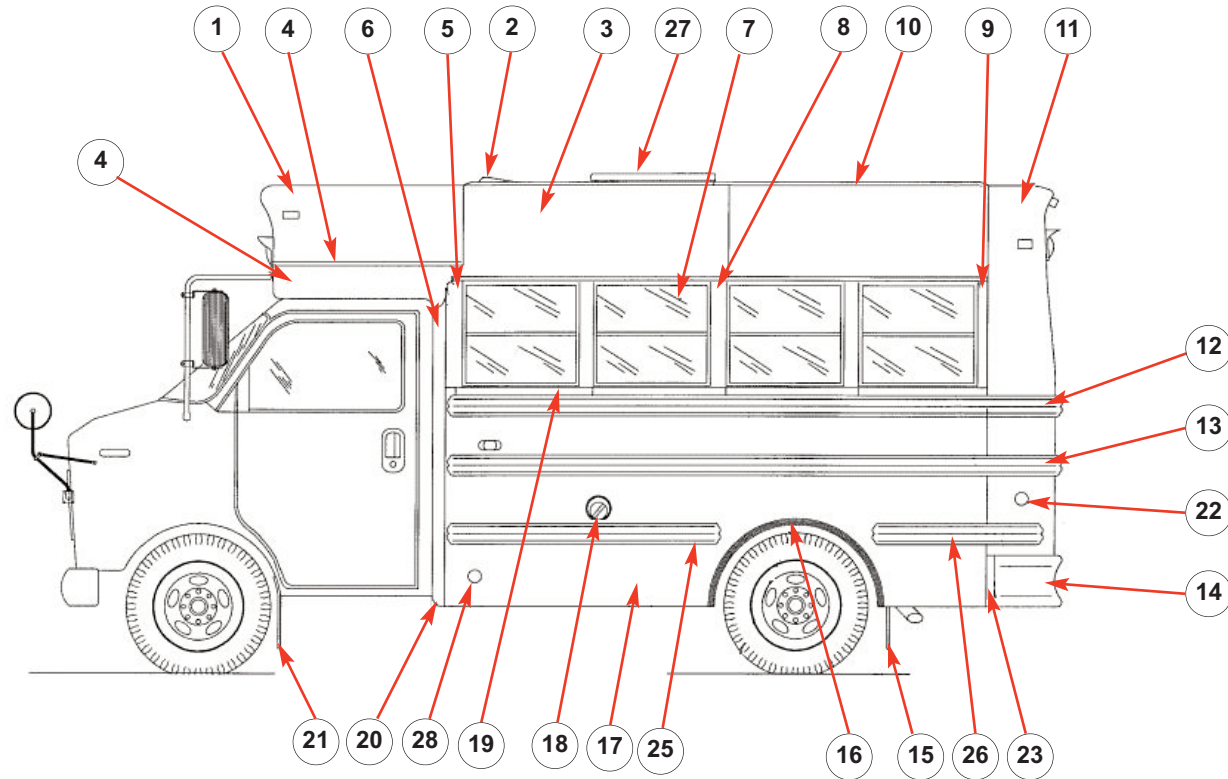


REF. NUM.	ITEM DESCRIPTION	MODULE (0M/0L )	MODULE DESCRIPTION
1	LIFT DOOR	14CDXX	DOOR-LIFT,RS, MINO.
2	LIFT-BRAUN	36ABXX	LIFT- BRAUN
	LIFT-RICON	36ACXX	LIFT- RICON
3	LIGHT-HOODED	37GEXX	LIGHTS-LIFT DOOR, EXT. LIGHT
4	DOOR BUMPER	14ADXX	DOOR-SIDE EMERG., RS, BUMPER/EYESTRAP
5	EYESTRAP	14ADXX	DOOR-SIDE EMERG., RS, BUMPER/EYESTRAP

PAGE INTENTIONALLY LEFT BLANK



## LEFT SIDE - BODY PARTS, WINDOWS/GLASS, ETC.



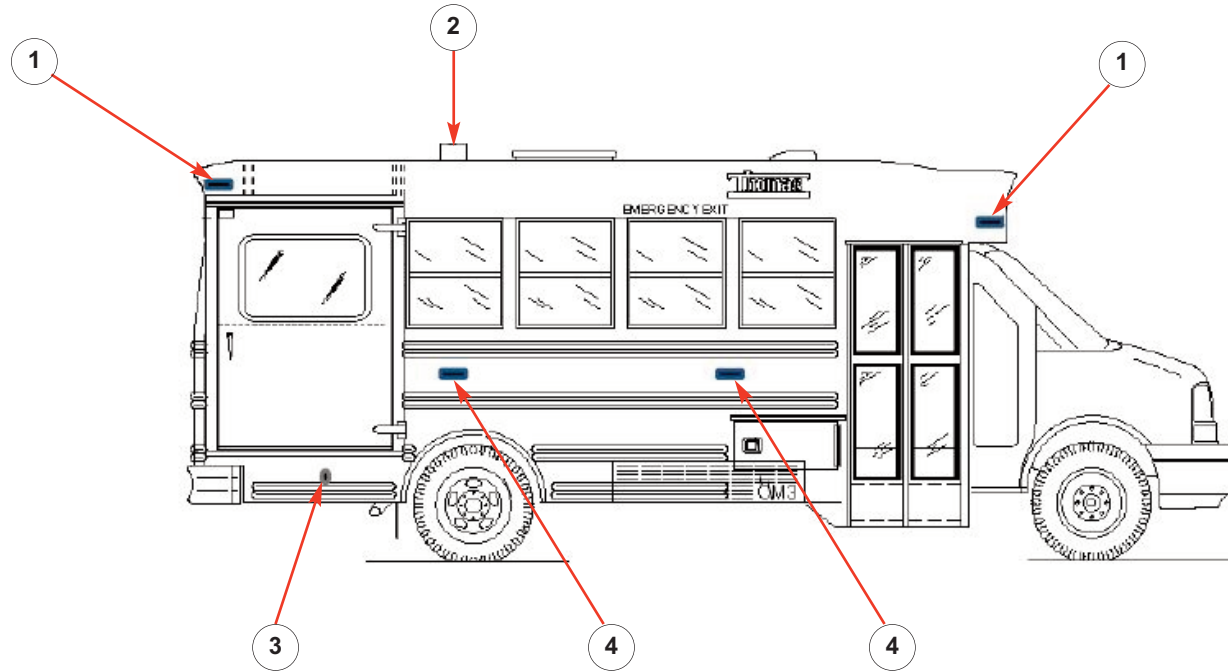
REF. NUM.	ITEM DESCRIPTION	MODULE (0M/0L )	MODULE DESCRIPTION
1	FRONT HOOD	43AJXX/43ATXX	ROOF PANELS-FRT. HOOD/CAP
2	ROOF VENTILATOR	53AAXX	VENTILATOR-STATIC VENT, STD.
3	ROOF SHEET	43AA/AB/ALXX	ROOF PANELS
4	DRIP MOLDING, DRVR'S DR.	59ABXX	MODIFICATION-MISC
5	TRIM - END, DRIP MOLDING	14BCD & BVXX	DOOR-FRT ENT,MINOTOUR
6	PILASTER, FRT., LS	18ALXX	EXTR PANELS-PILASTER



## LEFT SIDE - BODY PARTS, WINDOWS/GLASS, ETC.

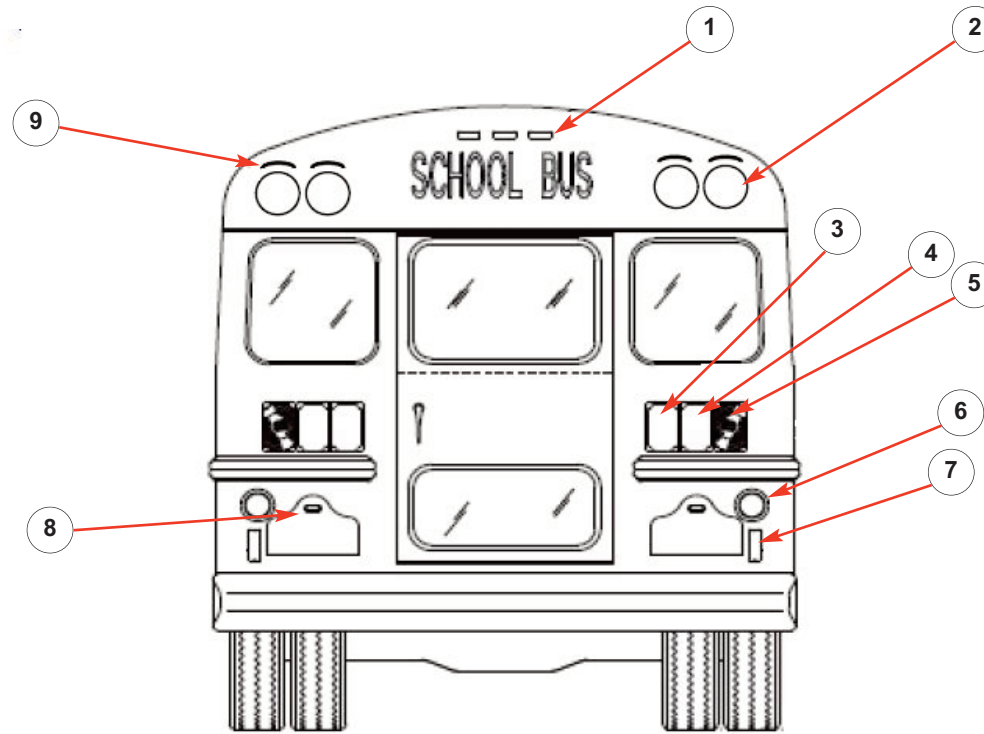
REF. NUM.	ITEM DESCRIPTION	MODULE (0M0L)	MODULE DESCRIPTION
7	WINDOWS ( SEE WDO BOM )	25AD/AE/ALXX	WINDOWS/GLASS
8	PILASTER	18AK/ALXX	EXTR PANELS-PILASTER
9	PILASTER-REAR, LS	18ALXX	EXTR PANELS-PILASTER
10	ROOF RAIL	ROOF RAIL	ROOF PANELS
11	REAR CAP	18ABXX & 18BQXX	EXTR. PANELS-REAREND
12	GUARD RAIL-UPPER, LS	28AB, AH &AUX	GUARD RAIL-WDO/SEAT,LS
13	GUARD RAIL-INTRM. LS	28AA, AB, AG, AU, &AVXX	GUARD RAIL-WDO/SEAT,LS
14	REAR BUMPER	06AB & AHXX	BUMPER-REAR
15	MUD FLAP ASSY., REAR	38AXXX/38AZXX	MUD FLAPS-REAR
16	FENDERETTE	18AIXX	EXTR. PANELS-FENDERETTE
17	SIDE SHEET, LS	18ADXX	EXTR. PANELS-SIDE SHEET,LS
18	TRIM RING	XXXXX	SUPPLIED BY CHASSIS MFG.
19	WINDOW CAPPING	18AMXX	EXTR. PANELS-WINDOW SILL,LS
20	CORNER POST-BEHIND DRIVER	05APXX	BODY STRUCTURE-FRT. FRAME
21	MUD FLAP ASSY.-FRONT	38AVXX	MUD FLAP-FRONT ( SRW )
	MUD FLAP ASSY.-FRONT	38AVXX	MUD FLAP-FRONT ( DRW )
22	REFLECTOR-RED	37ADXX	LIGHTS-REFLECTOR
23	BUMPER TRIM	06ABXX/06AHXX	BUMPER-REAR
24	TRANSITION PANEL	18AVXX	EXTR. PANELS-FRT END
25-26	GUARD RAIL-LOWER, LS	28AXXX	GUARD/BELT RAILS
27	ROOF ESCAPE HATCH	44AHXX	ROOF HATCH
28	REFLECTOR-AMBER	37AKXX	LIGHTS-REFLECTOR

## LIGHTS - RIGHT SIDE / LEFT SIDE



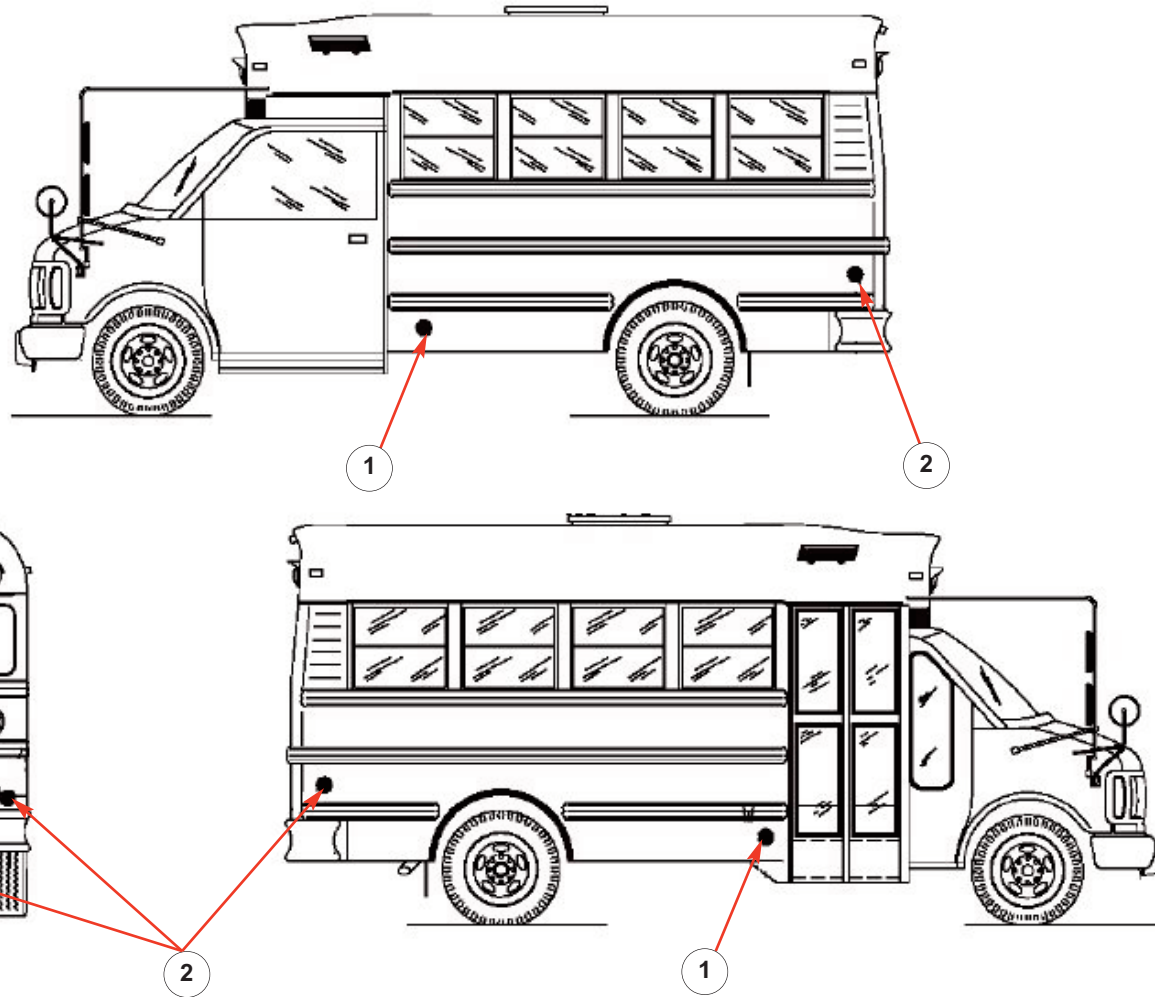
REF. NUM.	ITEM DESCRIPTION	MODULE (0M/0L )	MODULE DESCRIPTION
1	LIGHT ASSY.-TURN/MARKER	37GVXX	LIGHTS-MARKER CORNERS, STD.
2	GUARD-STROBE LIGHT	37GAXX	GUARD-STROBE LIGHT
3	STROBE LIGHT	37AUXX	LIGHTS-STROBE
4	LIGHT-DIRECTIONAL/MARKER	37AGXX	LIGHTS-SIDE DIRECTIONAL

## LIGHTS - REAR



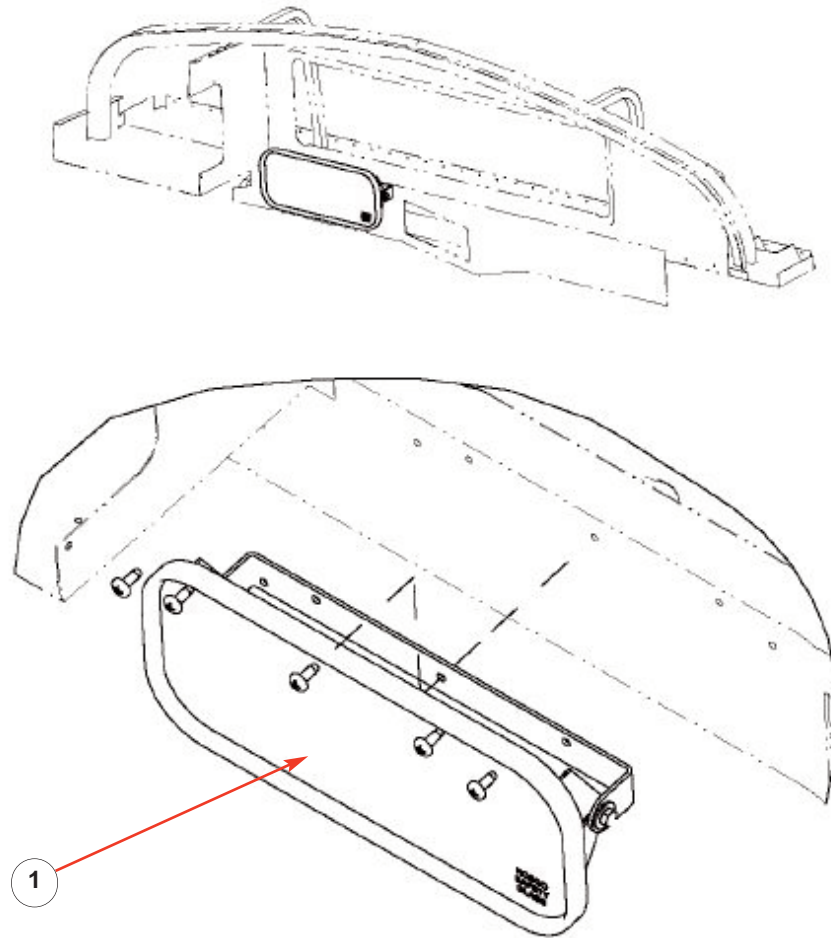
REF. NUM.	ITEM DESCRIPTION	MODULE (0M/0L )	MODULE DESCRIPTION
1	CLUSTER LIGHTS	37GXXX	LIGHTS-CLUSTER, FRONT & REAR
2	WARNING LIGHTS	37AXXX	LIGHTS-WARNING
3	REVERSE LIGHT	37GRXX	LIGHTS-STOP/TURN/BACKUP
4	STOP & TAIL LIGHT	37GRXX	LIGHTS-STOP/TURN/BACKUP
5	TURN SIGNAL LIGHT	37GRXX	LIGHTS-STOP/TURN/BACKUP
6	STOP & TAIL LIGHT ( RED )	37GSXX	LIGHTS-4" RED
7	BACK UP LIGHTS ( WHITE )	37XXXX	LIGHTS-BACK UP ( WHITE )
8	LICENSE PLATE LIGHTS	37GUXX	LIGHTS-LICENSE, STD.
9	VISOR-WARNING LIGHTS	37AXXX	LIGHTS-WARNING

# LIGHTS - REFLECTORS



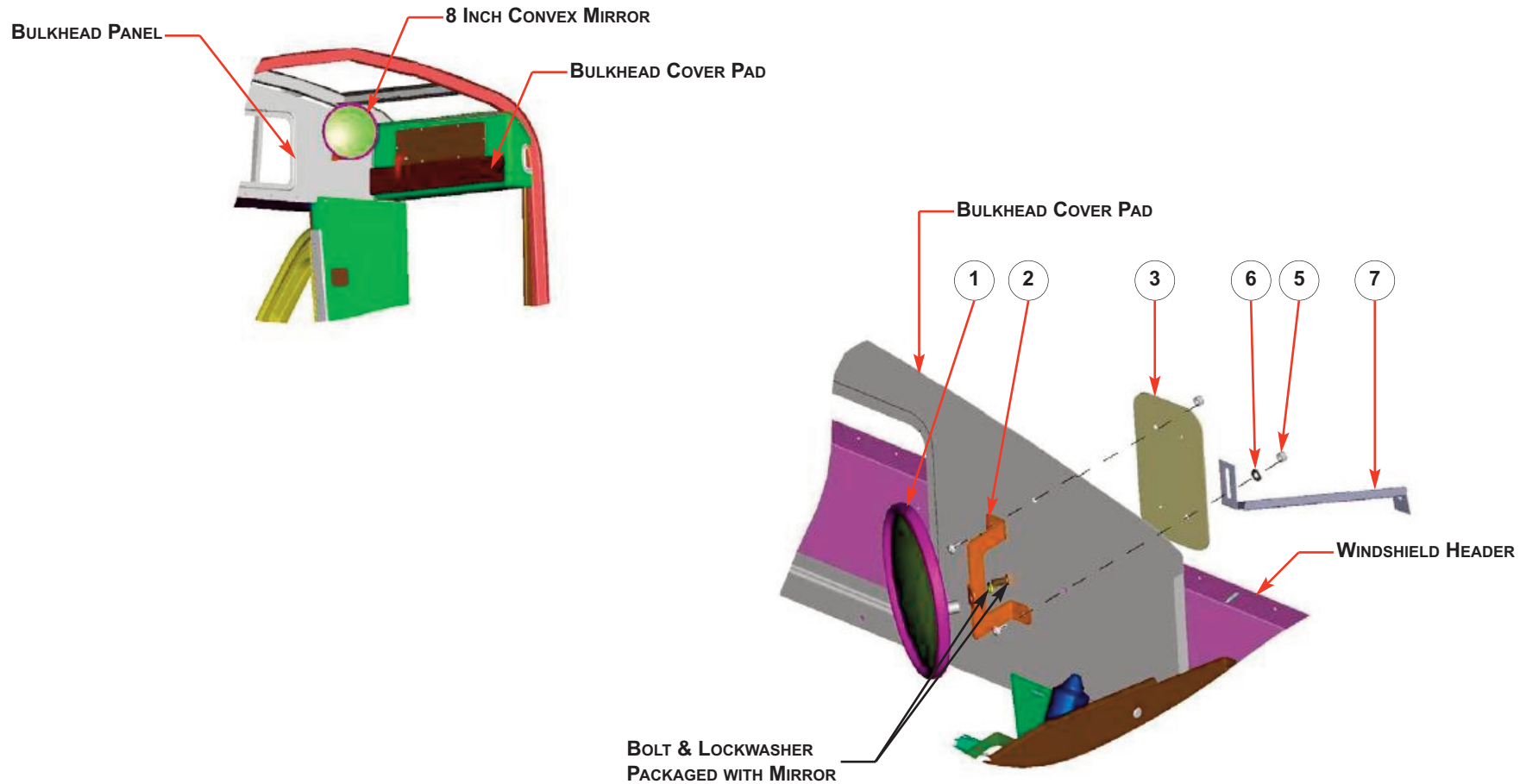
REF. NUM.	ITEM DESCRIPTION	MODULE (0M/0L )	MODULE DESCRIPTION
1	REFLECTOR-AMBER/RED	37ADXX	LIGHTS-REFLECTOR
2	REFLECTOR-AMBER/RED	37ADXX	LIGHTS-REFLECTOR

## MIRRORS - INTERIOR



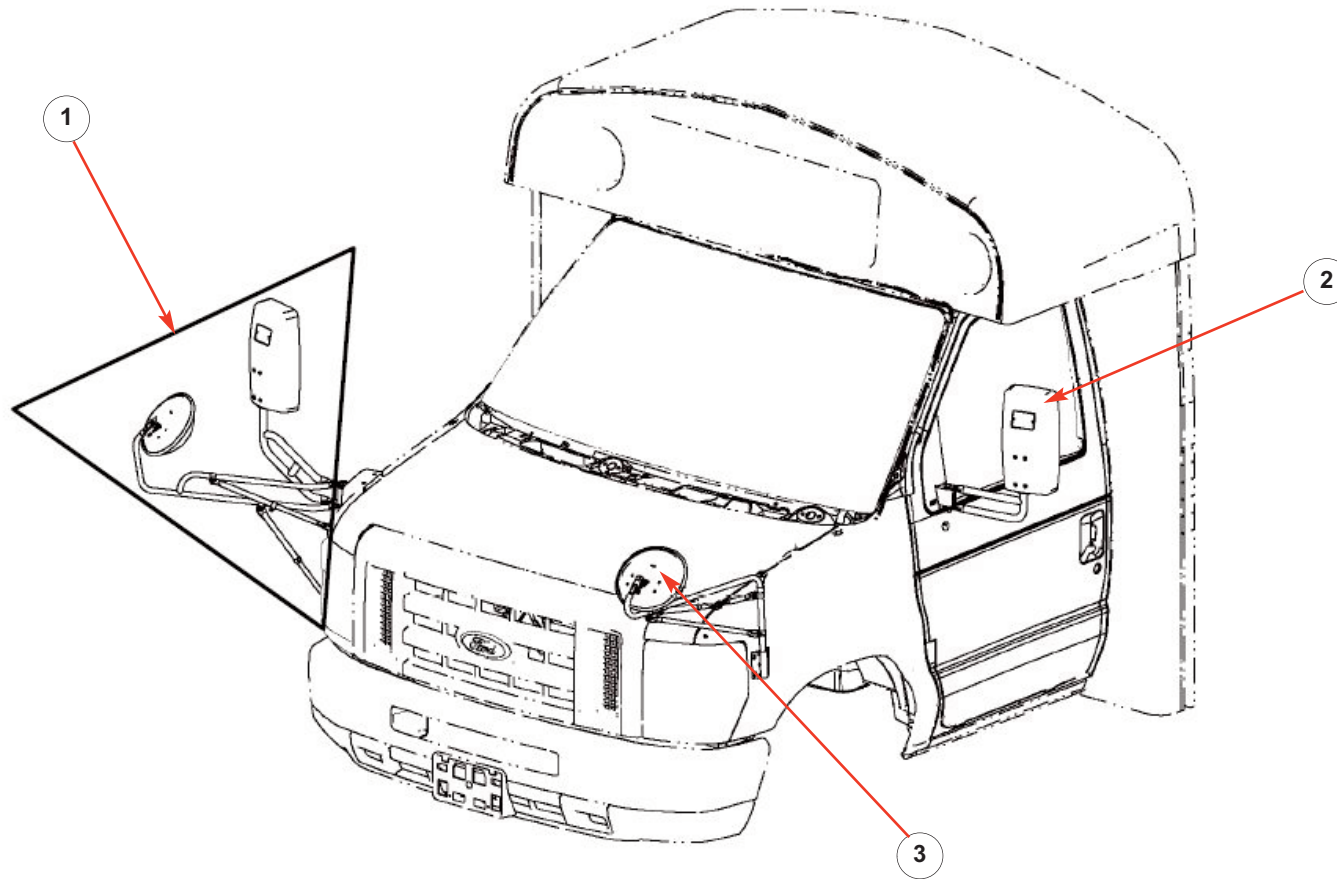
REF. NUM.	ITEM DESCRIPTION	MODULE (0M/0L )	MODULE DESCRIPTION
1	INTERIOR MIRROR	19AAXX	MIRROR-INTERIOR
	INTERIOR MIRROR	19AQXX	MIRROR-REAR SURVEILLANCE
REF	SCREW-SELF TAPPING	19AXXX	MIRROR-REAR SURVEILLANCE

## MIRRORS - INTERIOR, CONVEX



REF. NUM.	ITEM DESCRIPTION	MODULE (0M/0L )	MODULE DESCRIPTION
1	MIRROR-INTERIOR, CONVEX	19ARXX	MIRROR-INT., CONVEX
2	BRACKET-MIRROR MTG.	19ARXX	MIRROR-INT., CONVEX
3	PLATE-SUPPORT	19ARXX	MIRROR-INT., CONVEX
4	MACHINE SCREW 1/4-20 X .75	19ARXX	MIRROR-INT., CONVEX
5	HEX NUT-1/4 - 20	19ARXX	MIRROR-INT., CONVEX
6	FLAT WASHER-281 ID, .625 OD	19ARXX	MIRROR-INT., CONVEX
7	BRACE-SUPPORT	19ARXX	MIRROR-INT., CONVEX

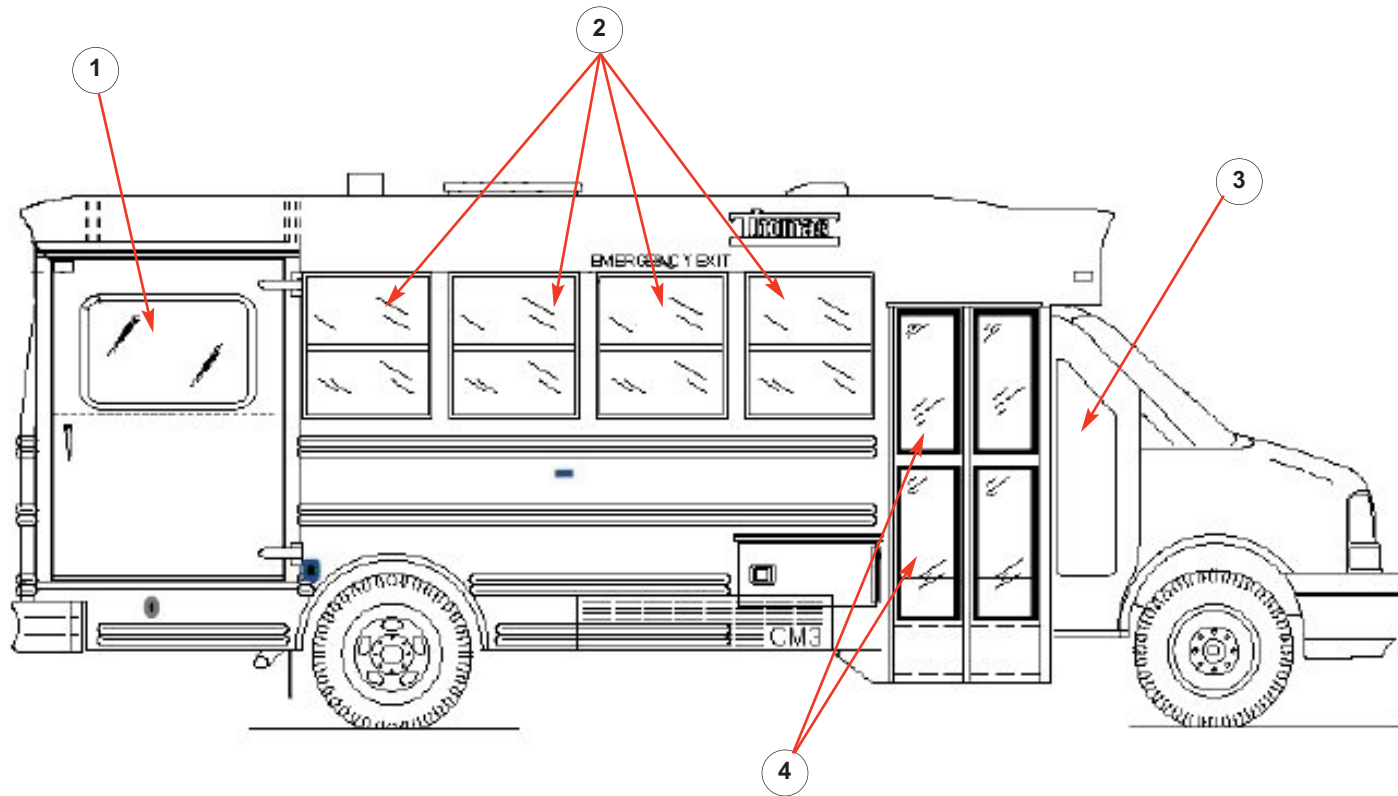
# MIRRORS - EXTERIOR



REF. NUM.	ITEM DESCRIPTION	MODULE (0M/0L )	MODULE DESCRIPTION
1	MIRROR ASSY., COMB., RS	19BGXX	MIRRORS-RS, REAR VIEW/CROSS VIEW
2	MIRROR ASSY., R. VIEW, LS	19BGXX	MIRRORS-LS, REAR VIEW
3	MIRROR ASSY., X-VIEW, LS	19BGXX	MIRRORS-LS, CROSS VIEW

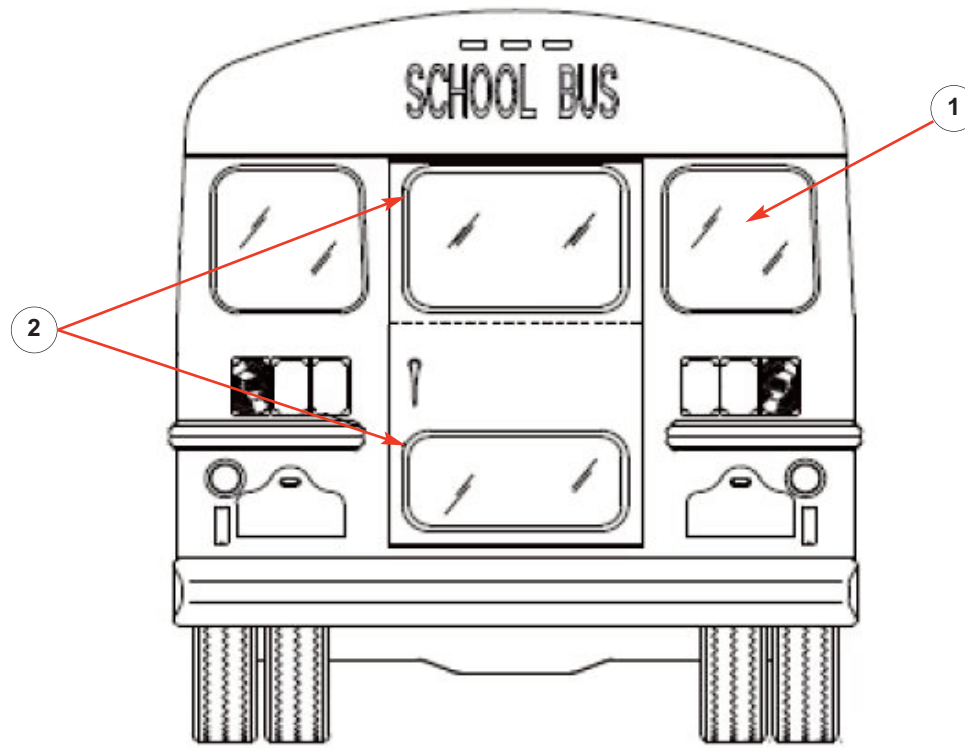


## GLASS / WINDOWS - RIGHT SIDE



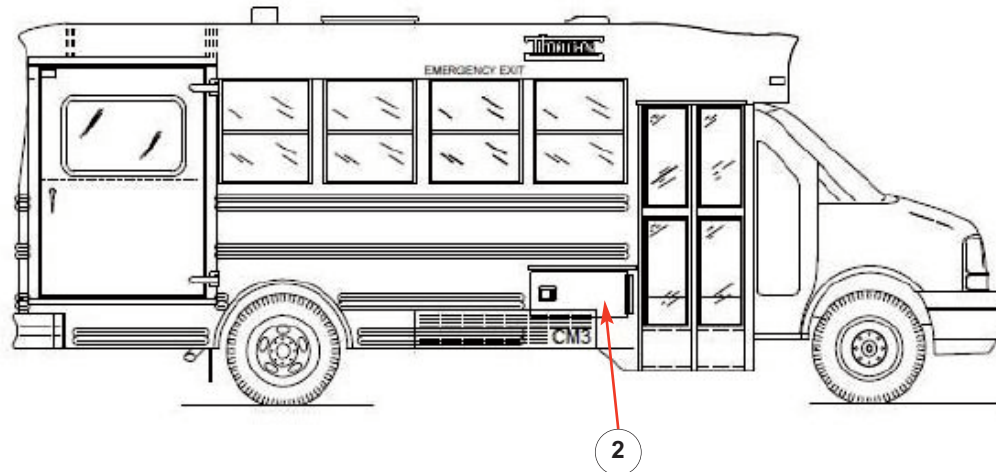
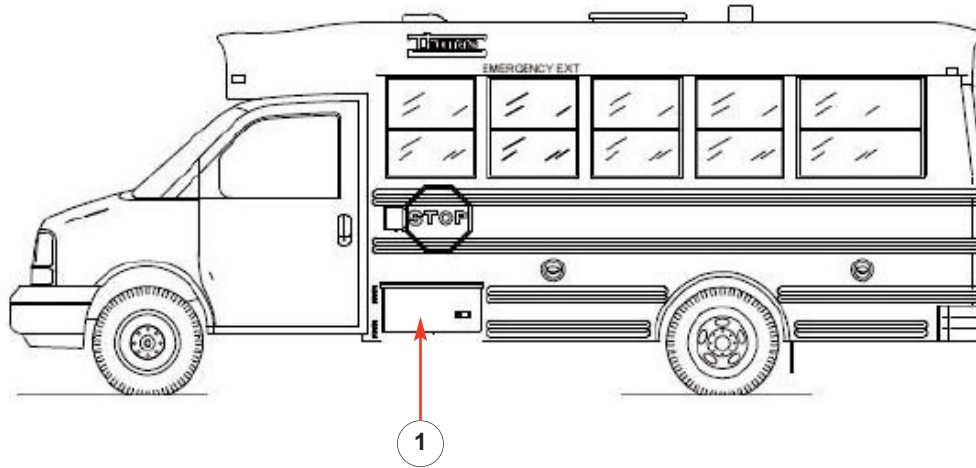
REF. NUM.	ITEM DESCRIPTION	MODULE (0M/0L )	MODULE DESCRIPTION
1	GLASS ASM.-UPPER REAR DOOR	25AJXXX	WINDOWS/GLASS-LIFT/SIDE LOAD.DOOR
2	WINDOWS-PASSENGER	M70T/VTXXXXX	NON-C2 WDO
	WINDOWS-PASSENGER	ORDER-WDO ( AS400 )	ORDER#-WDO
3	STATIONARY GLASS-VISION PANEL	25ABXXX	WINDOWS/GLASS-FRT. STATIONARY
4	GLASS ASM.-FRONT ENT. DOOR	25ALXXX	GLASS-FRONT ENTRANCE DOOR

## GLASS - REAR VIEW



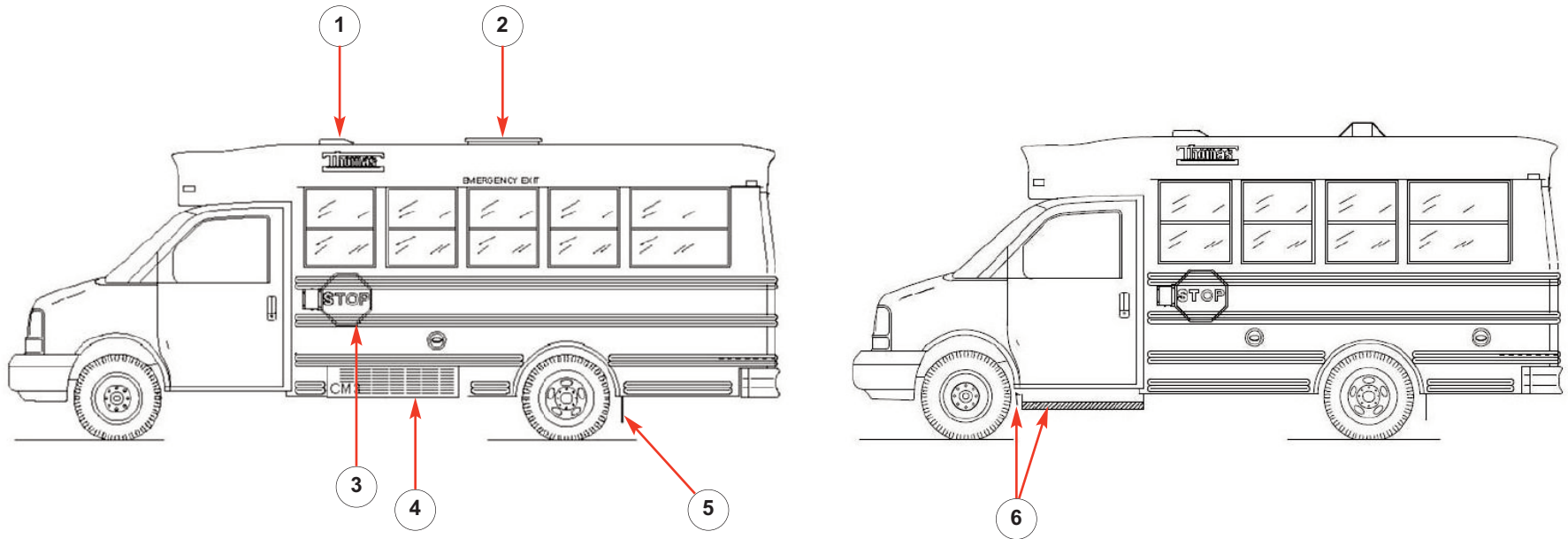
REF. NUM.	ITEM DESCRIPTION	MODULE (0M/0L )	MODULE DESCRIPTION
1	GLASS-REAR STATIONARY	25AGXX	GLASS-REAR END STATIONARY
2	GLASS-REAR EMERG. DOOR	25AHXX	GLASS-REAR EMERG. DOOR

## BATTERY BOX - RIGHT SIDE, LEFT SIDE



REF. NUM.	ITEM DESCRIPTION	MODULE (0M/0L )	MODULE DESCRIPTION
1	BATTERY BOX-DRIVER SIDE	10FTXX	COMPT. U/B-BATTERY BOX
2	BATTERY BOX-CURB SIDE	10FWXX	COMPT. U/B-BATTERY BOX
	BATTERY BOX-CURB SIDE	10DXXXX	COMPT. U/B-BATTERY BOX

## MISCELLANEOUS - ACCESSORIES. LEFT SIDE



REF. NUM.	ITEM DESCRIPTION	MODULE (0M/0L )	MODULE DESCRIPTION
1	VENTILATOR	53AXXX	VENTILATOR-STATIC VENT/ELEC. VENTILATOR
2	ROOF ESCAPE HATCH	44AXXX	ROOF HATCH
	ROOF ESCAPE HATCH	44BXXX	ROOF HATCH
3	STOP SIGN	49AHXX	STOP SIGNAL-FRONT
4	A/C CONDENSER	01GJXX	A/C CONDENSER
5	REAR MUD FLAP	38AXXX	MUD FLAP-REAR
	REAR MUD FLAP	38AZXX	MUD FLAP-REAR
	REAR MUD FLAP	38BCXX	MUD FLAP-REAR
6	FRONT MUD FLAP/ENT. STEP	38AWXX	MUD FLAP-FRONT
	FRONT MUD FLAP/ENT. STEP	38AVXX	MUD FLAP-FRONT

PAGE INTENTIONALLY LEFT BLANK