

Installation Instructions

Nitestar Credit Card Reader Kit #26677501

Purpose:

This kit contains the parts and instructions to install a swipe card reader to your Nitestar jukebox.

Tools Required:

1/4" Nut Driver, #2 Phillips Head Screwdriver

Parts Included in this Kit:

Part Number	Description	Qty.
22185303	Card Reader	1
40943101	Card Reader Bezel	1
28277902	Screw - M3 x 10mm Phillips Pan Head	2
34068701	USB Cable (6")	1
22188701	These Installation Instructions	1

Step-by-Step Instructions:

1. REMOVE PARTS (see Figure 1):

Insure that the power to the jukebox is turned OFF. Remove the Center Graphics Panel from the back of the door by loosening/removing twelve #8 screws which fasten the six graphics panel retaining brackets. The center graphics panel will not be needed with the card reader installed.

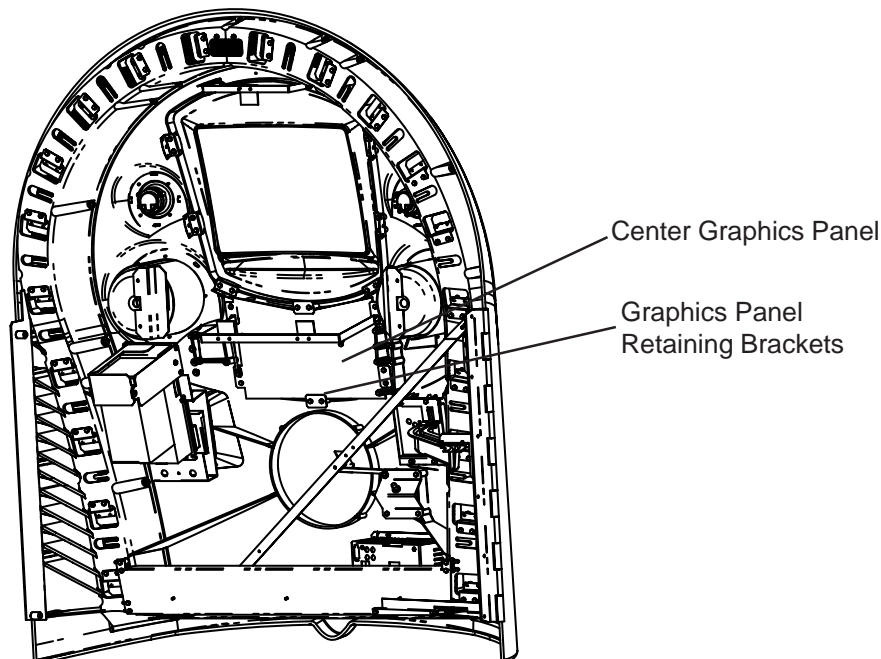


Figure 1



2. ASSEMBLE CARD READER TO BEZEL (see *Figure 2*):

Route the cable from the card reader through the rectangular opening in the bezel. Fasten the card reader to the bezel using the two M3 x 10mm Phillips screws included with this kit.

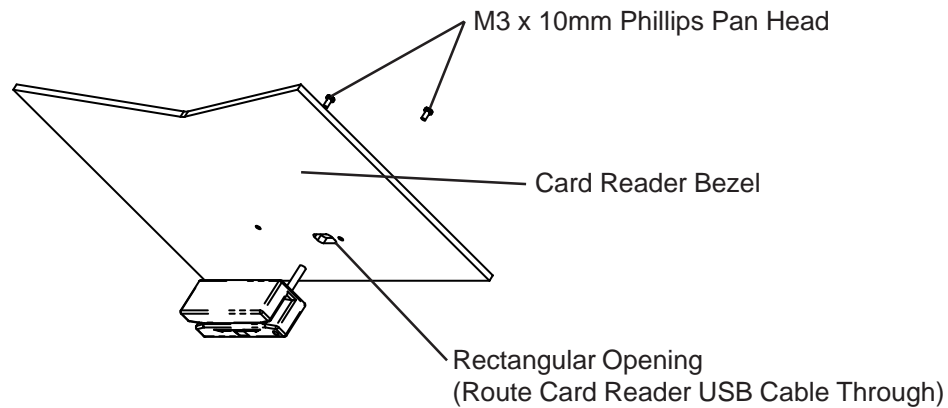


Figure 2

3. ASSEMBLE TO DOOR (see *Figure 3*):

From the back of the door, insert the card reader and bezel into the space previously occupied by the center graphics panel. Tighten the screws loosened/removed in step 1.

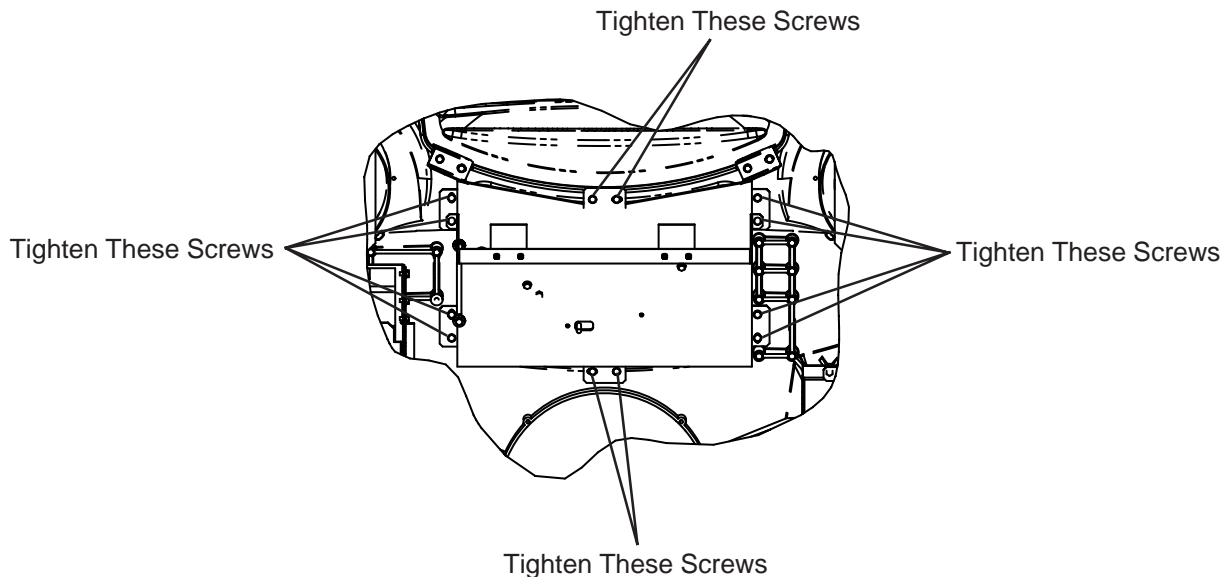


Figure 3

4. CARD READER TO COMPUTER (see *Figure 4*):

Plug the card reader cable into an available USB port on the computer. The USB cable included with this kit should provide sufficient additional length to reach the computer. You may want to dress the card reader cable to prevent snagging on other parts within the jukebox during service.

5. POWER UP AND OPERATIONAL CHECK

Note: The jukebox must have software version V2.3.0 or higher for credit card acceptance to work.

Power on the jukebox and wait for the User Interface (Selection Screen) to come up. Swipe a valid credit card through the card reader. If the card reader is connected properly the jukebox screen will display a pop up window as shown here:



Touch the Cancel button to close the window and cancel the credit transaction.

6. CHANGE ATTRACT LOOP TO HIGHLIGHT CREDIT CARD ACCEPTANCE

Enter the Service Mode by pushing the SERVICE button on the Rowelink Controller. Touch "Location/System Setup" then touch "Attract Mode". Touch "Default Loop with Credit Card" from the list to select it.