

Installation Instructions

Starbrite Credit Card Reader Kit #26677503

Purpose:

This kit contains the parts and instructions to install a swipe card reader to your Starbrite wall jukebox.

Tools Required:

1/4" Nut Driver, 11/32" Nut Driver, #2 Phillips Head Screwdriver

Parts Included in this Kit:

Part Number	Description	Qty.
22185303	Card Reader	1
22185402	Card Reader Plate	1
22189702	Card Reader Bracket	1
22188201	Credit Card Label	1
28277902	Screw - M3 x 10mm Phillips Pan Head	2
87843000	Nut #8-32 Keps Hex Head	2
22188501	These Installation Instructions	1

Step-by-Step Instructions:

1. REMOVE PARTS (see Figure 1):

Insure that the power to the jukebox is turned OFF. Unplug the cable from the LED circuit board that illuminates the "starbrite" logo panel. Remove the lighting bracket (with the circuit board attached) from the back of the door by removing two #8 screws. Also remove the glass logo panel from the door. These items will not be needed with the card reader installed.

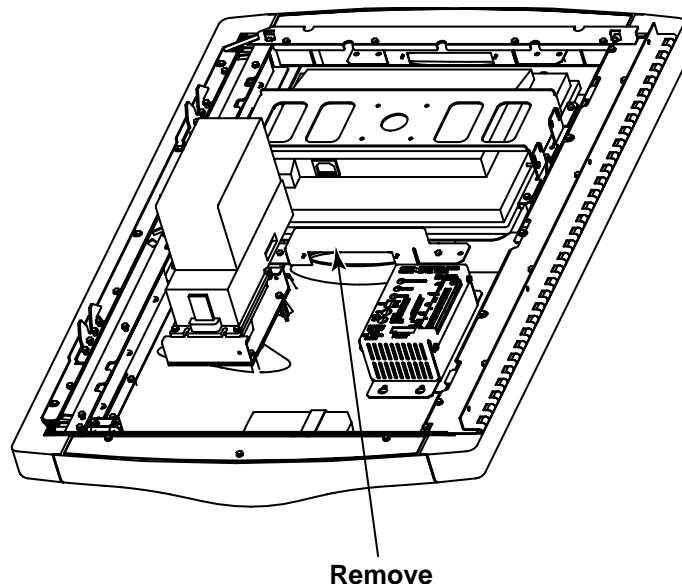


Figure 1



2. ASSEMBLE CARD READER TO PLATE (see Figure 2):

Route the cable from the card reader through the rectangular opening in the plate. Fasten the card reader to the plate using the two M3 x 10mm Phillips screws included with this kit.

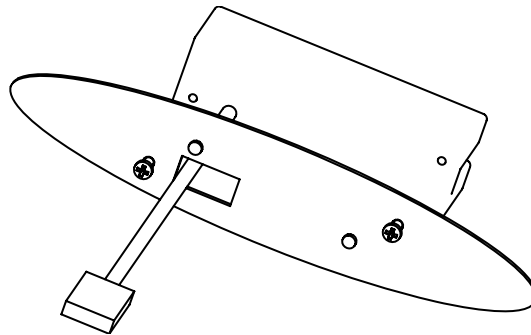


Figure 2

3. ASSEMBLE TO DOOR (see Figure 3):

From the front of the door, insert the card reader and plate into the oval opening *with the Green LED oriented to be in the lower right hand position* as shown. While holding the plate in place, from the back side of the door place the card reader bracket over the studs on the plate and fasten with the two #8 nuts included with this kit. Peel the protective backing from the credit card label and place in the position shown.

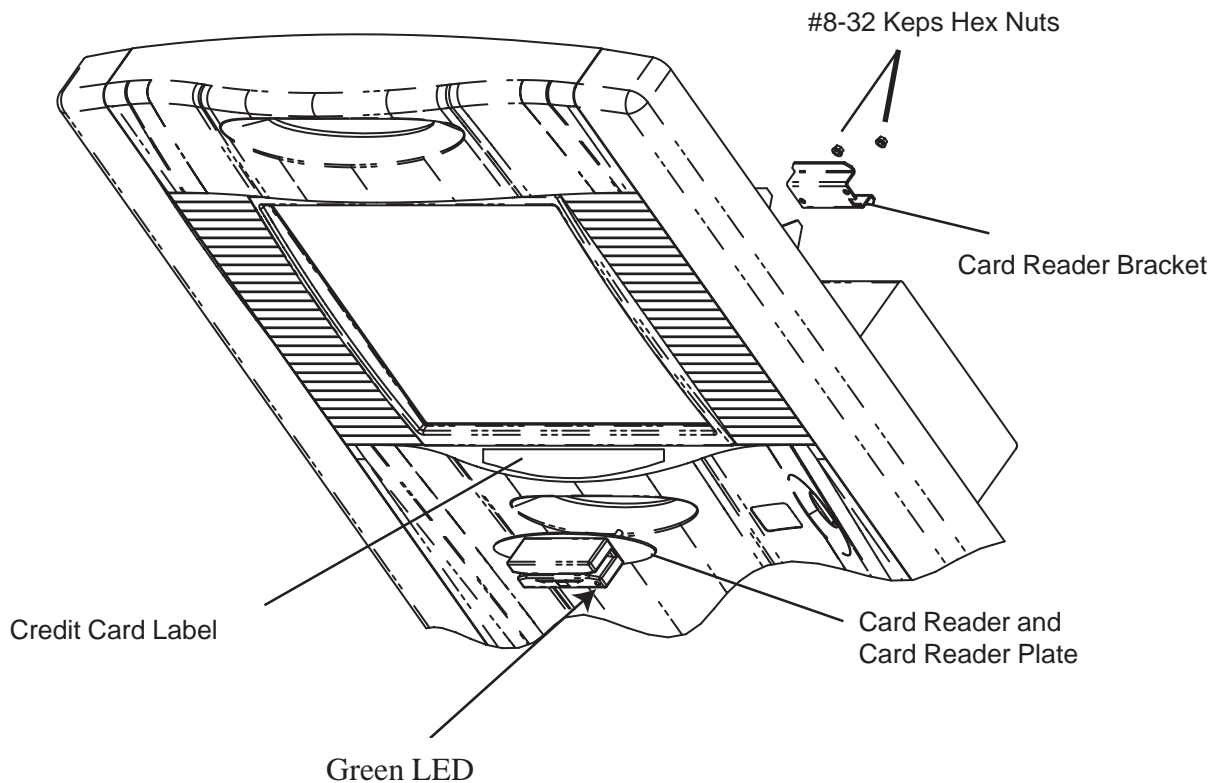


Figure 3

4. CARD READER TO COMPUTER:

Plug the card reader cable into an available USB port on the computer. You may want to dress the card reader cable to prevent snagging on other parts within the jukebox during service.

5. POWER UP AND OPERATIONAL CHECK

Note: The jukebox must have software version V2.3.0 or higher for credit card acceptance to work.

Power on the jukebox and wait for the User Interface (Selection Screen) to come up. Swipe a valid credit card through the card reader. If the card reader is connected properly the jukebox screen will display a pop up window as shown here:



Touch the Cancel button to close the window and cancel the credit transaction.

6. CHANGE ATTRACT LOOP TO HIGHLIGHT CREDIT CARD ACCEPTANCE

Enter the Service Mode by pushing the SERVICE button on the Rowelink Controller. Touch "Location/System Setup" then touch "Attract Mode". Touch "Default Loop with Credit Card" from the list to select it.

This page intentionally left blank.