

H-D[®] ADJUSTABLE BAR STOOL

Assembly Instructions

Congratulations on your purchase of a Harley-Davidson[®] Adjustable Bar Stool. The utmost care has gone into the design and manufacturing of this product. PLEASE READ THESE ASSEMBLY INSTRUCTIONS CAREFULLY.

Tools Needed: #2 Phillips Screwdriver 10mm Wrench 1/4" Dr. Ratchet 5mm Hex Bit Socket	Bolt Kit: 4 - M6x40mm Hex bolt 8 - M6x41mm Bolt 12 - M6 Nylon Nut	Parts List: <table border="0"> <tr> <td>1. Back support</td> <td>6. Connector</td> <td>11. Locking Nut M6</td> </tr> <tr> <td>2. Seat</td> <td>7. Ring</td> <td>12. Legs</td> </tr> <tr> <td>3. "L" Shaped Support</td> <td>8. M6 Locking Nut</td> <td>13. Locking Nut M6</td> </tr> <tr> <td>4: Hydraulic Cylinder</td> <td>9. Bolt M6x41</td> <td>14. Bolt M6x41</td> </tr> <tr> <td>5. Bolt M6x40</td> <td>10. Connecting Plate</td> <td>15. Ring</td> </tr> </table>			1. Back support	6. Connector	11. Locking Nut M6	2. Seat	7. Ring	12. Legs	3. "L" Shaped Support	8. M6 Locking Nut	13. Locking Nut M6	4: Hydraulic Cylinder	9. Bolt M6x41	14. Bolt M6x41	5. Bolt M6x40	10. Connecting Plate	15. Ring
1. Back support	6. Connector	11. Locking Nut M6																	
2. Seat	7. Ring	12. Legs																	
3. "L" Shaped Support	8. M6 Locking Nut	13. Locking Nut M6																	
4: Hydraulic Cylinder	9. Bolt M6x41	14. Bolt M6x41																	
5. Bolt M6x40	10. Connecting Plate	15. Ring																	

Assembly Instructions:

Step 1: Place one of the legs (#12) into the aluminum bracket holder (#6) aligning the holes. Insert one of the M6x40mm hex bolts through the aligned holes, turn the aluminum bracket over so the threads of the bolt are facing up, then place the round metal disc (#11) over the single bolt. Fasten using the M6 nut. Do not completely fasten at this time. Continue the above steps until all four legs are mounted into the aluminum bracket.

Step 2: Turn the bar stool over onto all four legs

Step 3: Place the large round support ring (#15) INSIDE all four legs aligning the holes. Insert one of the M6x41mm bolts through the aligned holes. Fasten using the M6 nut. Repeat this process with the remaining three legs. Do not completely fasten!!

Step 4: Place the smaller round support (#7) on the OUTSIDE of all four legs aligning the holes. Insert one of the M6x41mm bolts through the aligned holes. Fasten using the M6 nut. Repeat this process with the remaining three legs.

Step 5: Completely tighten all bolts!!

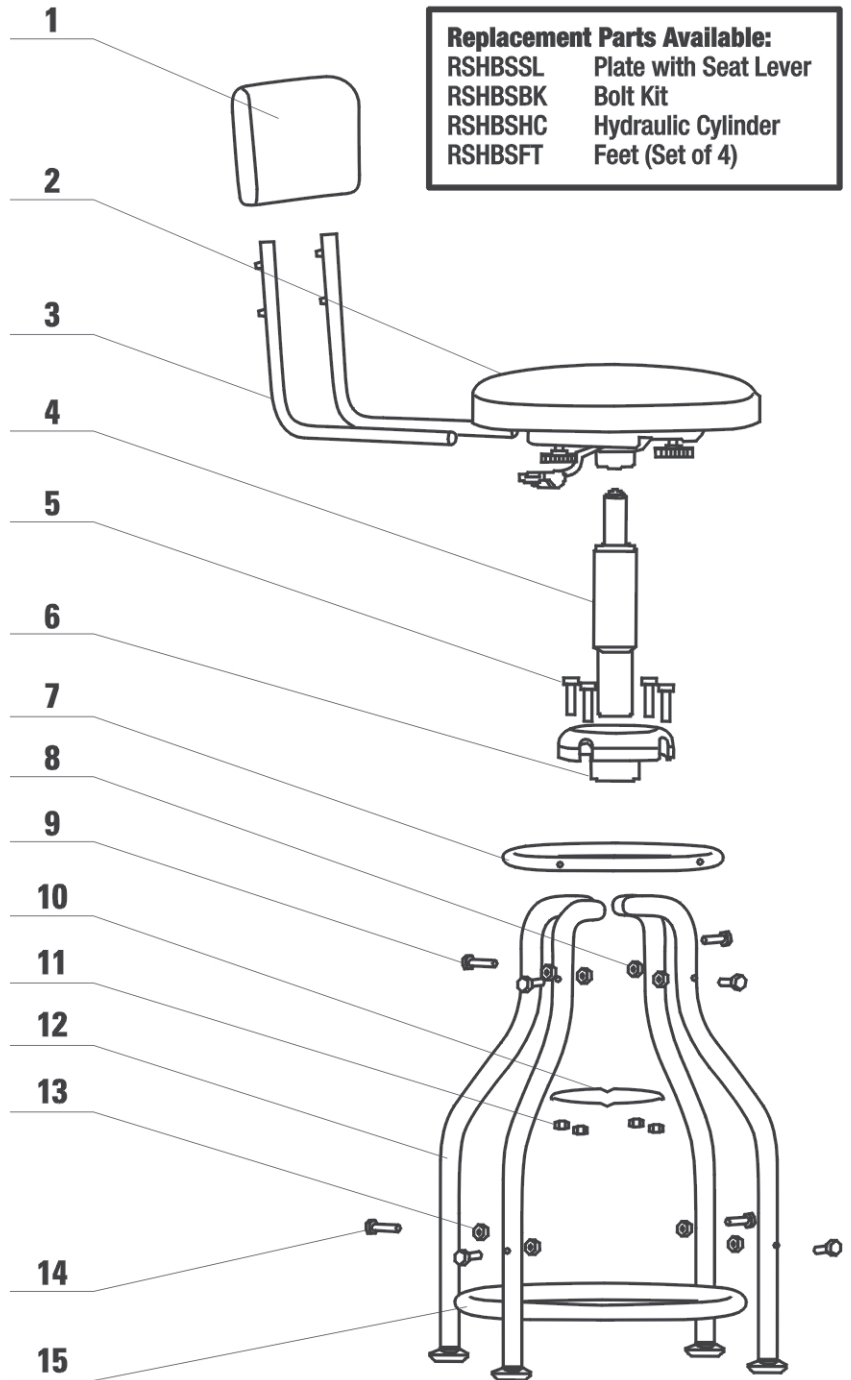
Step 6: Insert the hydraulic cylinder (#4) into the aluminum bracket (#6). The orange portion of the cylinder will be facing up when inserted correctly.

Step 7: Place the seat (#2) over the hydraulic cylinder. Sit on the seat to ensure that the metal plate is secure on the Hydraulic cylinder.

Step 8: Place the "L" shaped back supports (#3) into the back of the seat. (Note: the back supports can only be inserted from one direction. Also make sure the screws are completely loosened before inserting. Repeat the same step on the opposite side.

Step 9: Place the cushioned back support (#1) over the "L" shaped supports. Note that the push buttons must be depressed before the back cushion will slide all the way down.

Step 10: Go back and completely tighten all fasteners.



Replacement Parts Available:	
RSHBSSL	Plate with Seat Lever
RSHBSBK	Bolt Kit
RSHBSHC	Hydraulic Cylinder
RSHBSFT	Feet (Set of 4)

Warranty:

Free replacement of any part that fails within 90 days from date of purchase, excluding shipping costs. Void if damaged by misuse, accidents, alterations, failure to follow instructions, fire, flood, and acts of God.

If you have any questions or comments, please contact us at:

BrandedProducts.com



For a dealer near you call toll free 1-800-588-2743 in the USA and Canada or use our dealer locator at www.harley-davidson.com

Ace Product Management Group, Inc. Milwaukee, WI U.S.A. Manufactured under license from Harley-Davidson Motor Co. © 2010 All Rights Reserved.

Ace Product Management Group, Inc.
Milwaukee, WI U.S.A.