

Installation Instructions

Kit NGX Volume Control Unit Kit #34032904

These instructions outline the procedures to install the Volume Control Unit for your NGX Jukebox.

Tools Required

#2 Philips Screwdriver, Alcohol/Water solution.

Parts Included with this Kit:

<u>Item #</u>	<u>Part Number</u>	<u>Description</u>	<u>Quantity</u>
1	34032903	Volume Control Unit	1
2	34037908	Modular Cable (100 FT)	1
3	34102004	Modular Cable (Green 16")	1
4	22322402	Circuit Board 3 Way Splitter	1
5	22158402	Dual Lock Hook & Loop	2
		These Instructions	

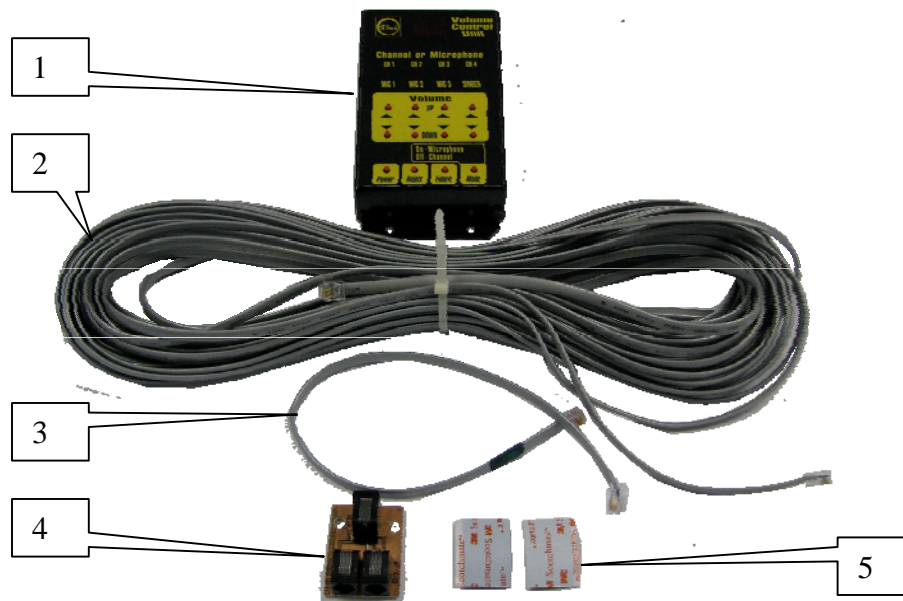


Figure 1

1. Turn the jukebox power off and unplug the power cord from the wall outlet. Open the NGX jukebox door and clean the mounting area approximately 4 inches from the power supply and 2 inches up from the computer core with the alcohol water solution to insure proper adhesion of the 3 way splitter circuit board.
2. Apply one piece of the Dual Lock Hook and Loop (Item 5) to the cleaned area. Attach the other piece to the back of the 3 way splitter circuit board (Item 4). Firmly press the circuit board with hook and loop to the cabinet hook and loop.
3. Disconnect the modular cable from the computer core jack labeled “VCU” and plug it into P3 jack of the 3 way splitter. Connect the 34102004 Modular Cable (Item 3) to the jack labeled P1 of the 3 way splitter. Route the other end thru the cable clamp and back to the “VCU” jack on the computer core.
4. Plug one end of the 34037908 100 FT modular cable (Item 2) to P2 of the 3 way splitter. Route the other end of the cable out the access opening of your choice to the to the modular jack on the Volume Control Unit (Item 1). Refer to Figure 2.
5. Remotely mount the volume control unit in a convenient location of your choice.

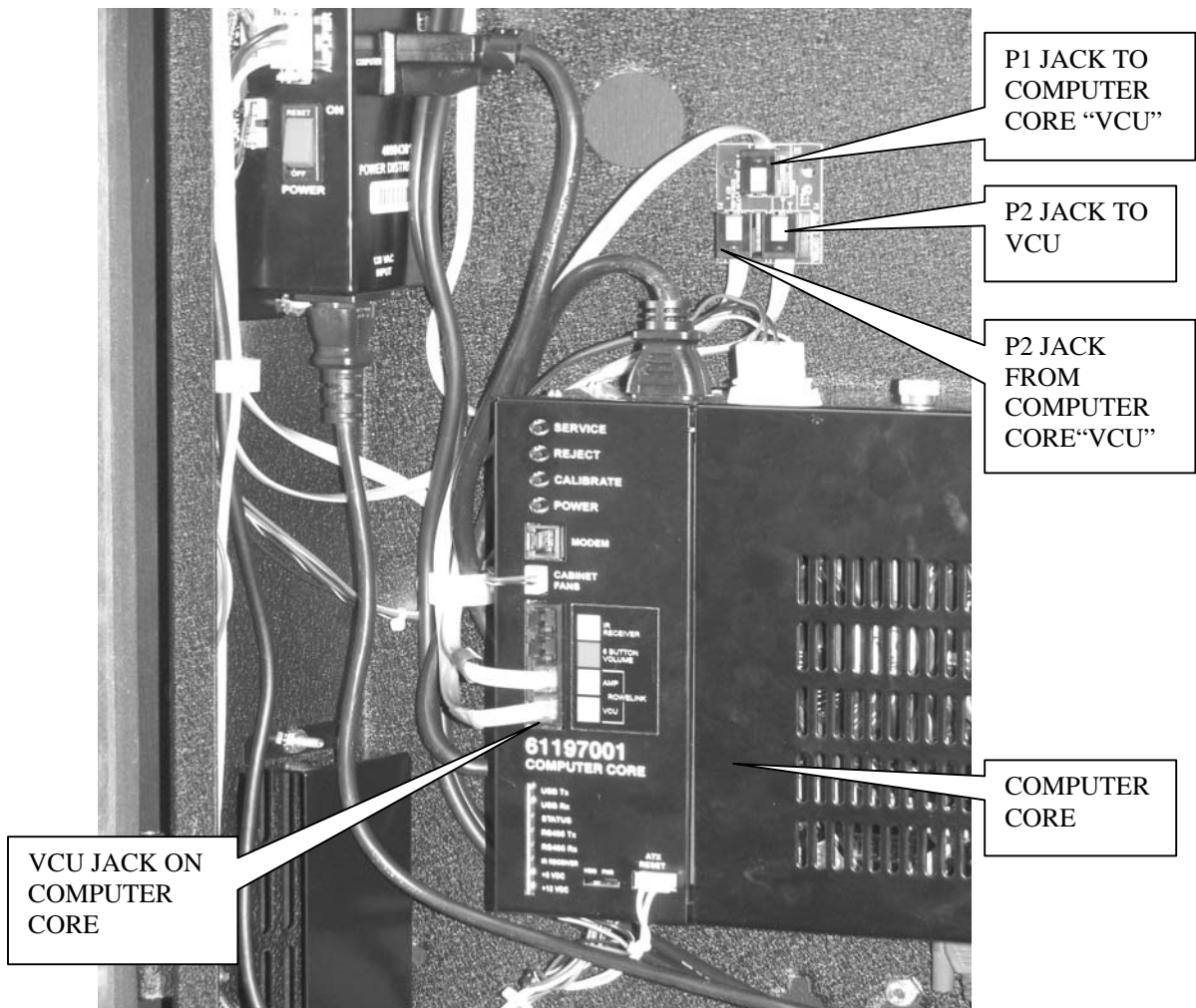


Figure 2