

Installation Instructions

Video Marquee Kit Kit Part No. 26695403

This kit contains the parts to install a Music Video Jukebox marquee to a remote located Television.

Tools Required

11/32" Nut Driver
Masking Tape

Parts Included with this Kit

Kit 26695403			
Item #	Part Number	Description	Quantity
1	61207803	Lighting Assembly – Universal Marquee	1
2	36538801	Bracket – Adjust, Upper	2
3	22336101	Bracket – Adjust, Lower	2
4	21965501 / 02	Velcro Hook / Loop (1" x 1")	2 ea.
5	21965505 / 06	Velcro Hook / Loop (3/8" x 2")	2 ea.
6	28290705	Power Supply – 12 Volt	1
7	87843000	#8-32 KEPS Hex Nut	8
		These instructions	



Figure 1



1. Install the Upper Brackets on the back of the marquee display assembly using four (two each) #8-32 Hex nuts. Leave the nuts loose so the brackets can be adjusted up and down.
2. Install a Lower Bracket on each of the two Upper Brackets using two #8-32 Hex nuts. Again, leave the nuts loose so the brackets can be adjusted in and out. These brackets can be installed rotated 180° if required.

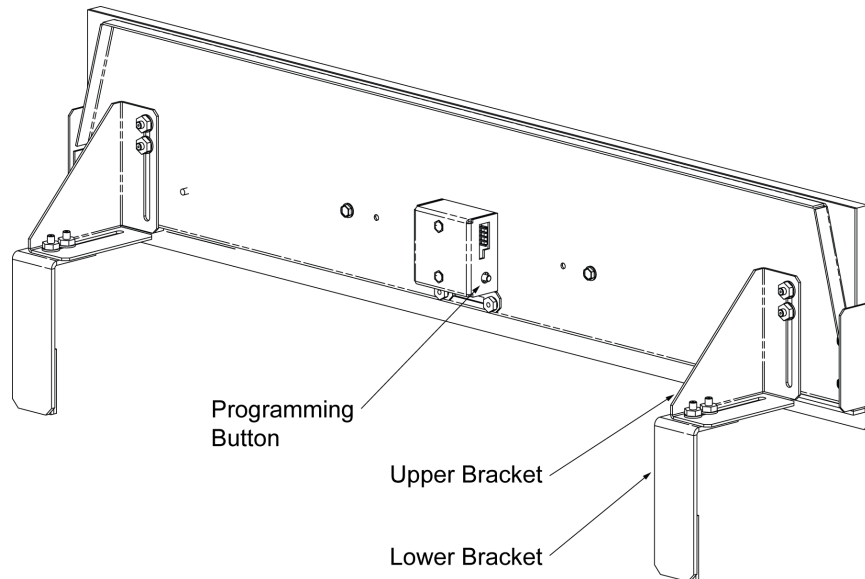


Figure 2

3. Test fit the marquee assembly on top of the television monitor you are going to use. The front lower edge of the marquee should capture the top front edge of the television. Center the marquee left to right.

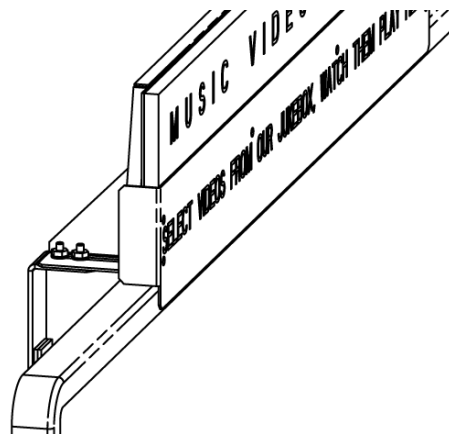


Figure 3

4. Adjust the Upper and Lower Brackets so they capture the back of the television cabinet. Use masking tape to mark the television where the lower brackets contact the back of the cabinet. Also, use masking tape to mark the top of the television cabinet at the ends of the marquee.

5. Separate the 1" Velcro squares and apply the "hooks" half of the Velcro to the inside of the lower mounting brackets. Separate the 3/8"x2" Velcro strips and apply the "hooks" half to the underside of the video marquee display assembly. Position the strips about 2" in from either end.

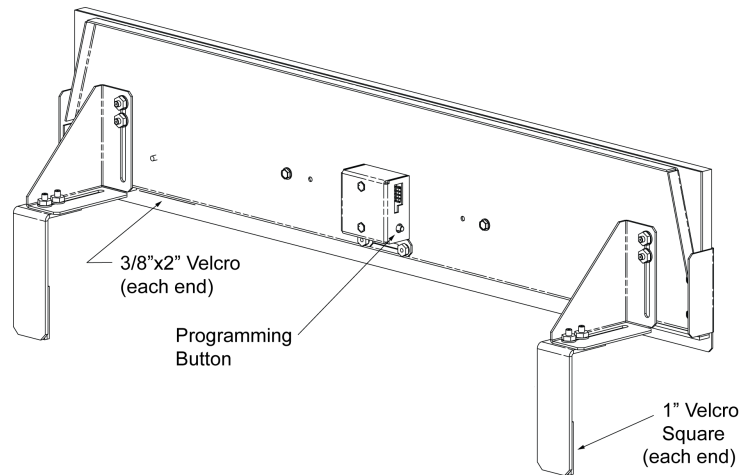


Figure 4

6. Referencing the masking tape marks on the television, apply the "loops" half of the 1" Velcro squares to the back of the television. Apply the "loops" half of the 3/8"x2" Velcro strips to the top of the television about 2" inward from the masking tape used to mark the ends of the marquee assembly.
7. Verify the two halves of each of the four Velcro fasteners on the marquee line up and mate with the other half of the Velcro fasteners on the television. Place the marquee on the television.

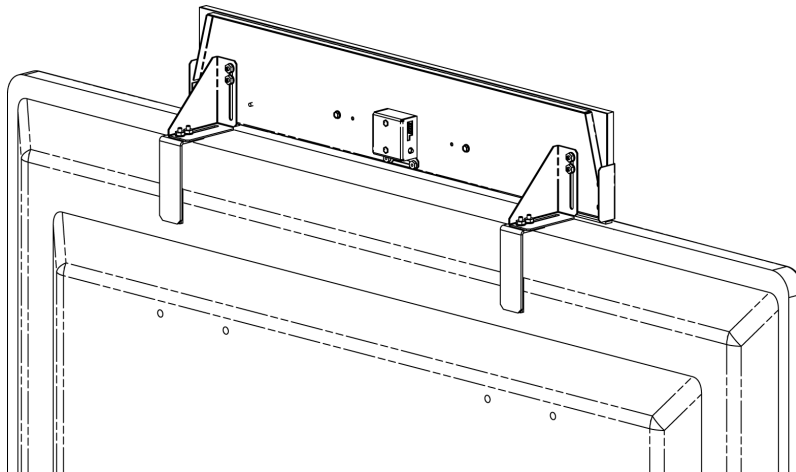


Figure 5

8. Plug the round power connector from the 12 volt power supply into the controller on the back of the marquee assembly. Choose the proper voltage adaptor for the power supply and install it on the power supply cube. Plug the cube in the wall.

Operation

Modes:

The marquee can be programmed to operate in two different modes, static or dynamic. In the static mode, the marquee is lit with one single color that does not change. In dynamic mode, the marquee colors constantly change. The dynamic mode can be set so the colors fade in during the change, or the colors will abruptly change.

To change the mode, push and release the button on the controller. Each time the button is pushed, the controller advances to the next color mode. The controller will remember the last color mode set and will automatically set that color mode when turned on.

	Color	Mode
1	Cyan	Static
2	Magenta	Static
3	Blue	Static
4	Yellow	Static
5	Green	Static
6	Red	Static
7	White	Static
8	Color change – Fade	Dynamic
9	Color change – Switch	Dynamic

Brightness:

The brightness of the marquee can be adjusted. Push and hold the button on the controller. After about 2 seconds the brightness of the LEDs will start changing from dim to bright back to dim. This cycle will repeat as long as you hold the button. Release the button when the desired brightness is showing. The controller will remember the brightness setting and will automatically set that brightness when turned on.



This page intentionally left blank.



