

# Installation Instructions

## NGX Video Marquee Kit Kit Part No. 26695401

This kit contains the parts to install a Music Video Jukebox marquee to an NGX Nighthawk II Lighting Assembly.

### Tools Required

#2 Phillips Head Screwdriver  
Drill Driver with 1/4" hex driver  
T10 pin-in-Torx driver or L-key wrench

### Jukebox Application Software Required

V4.3.0 or above

### Parts Included with this Kit

Kit 26695401			
Item #	Part Number	Description	Quantity
1	61207801	Lighting Assembly – Video Marquee	1
2	40977103	Cover – LED Control	1
3	34112001	Retainer – Harness	1
4	34112002	Retainer – Harness	1
5	70134156	Screw – #8-18 Hex Self Drilling	2
6	80442305	Screw #6-32 x 5/16 WH SF (Not shown)	3
		These instructions	

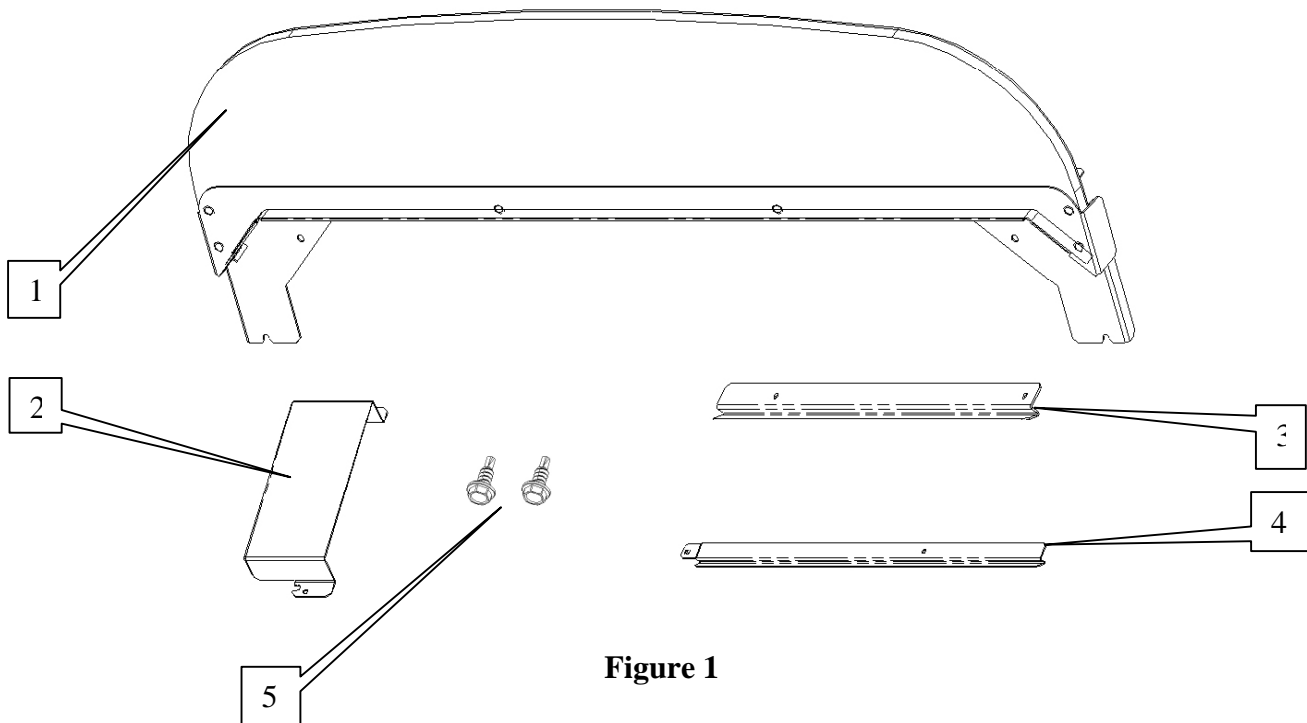
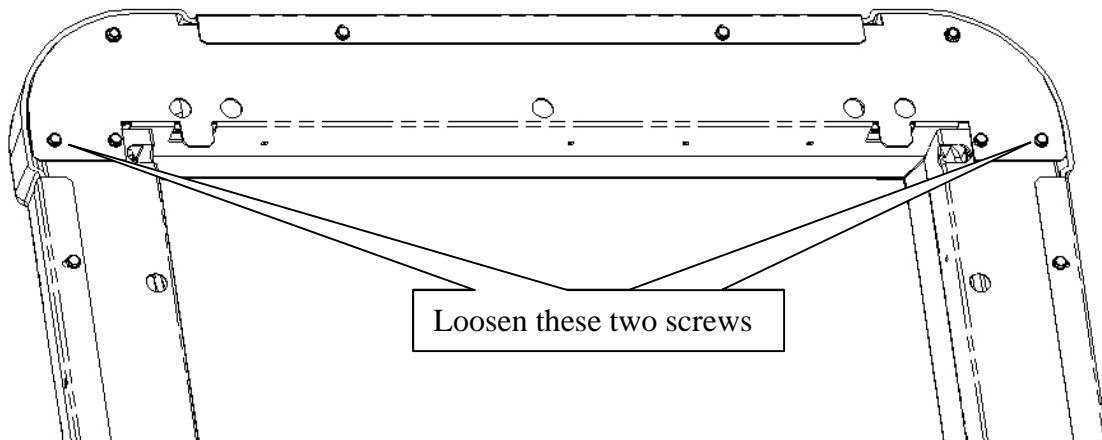


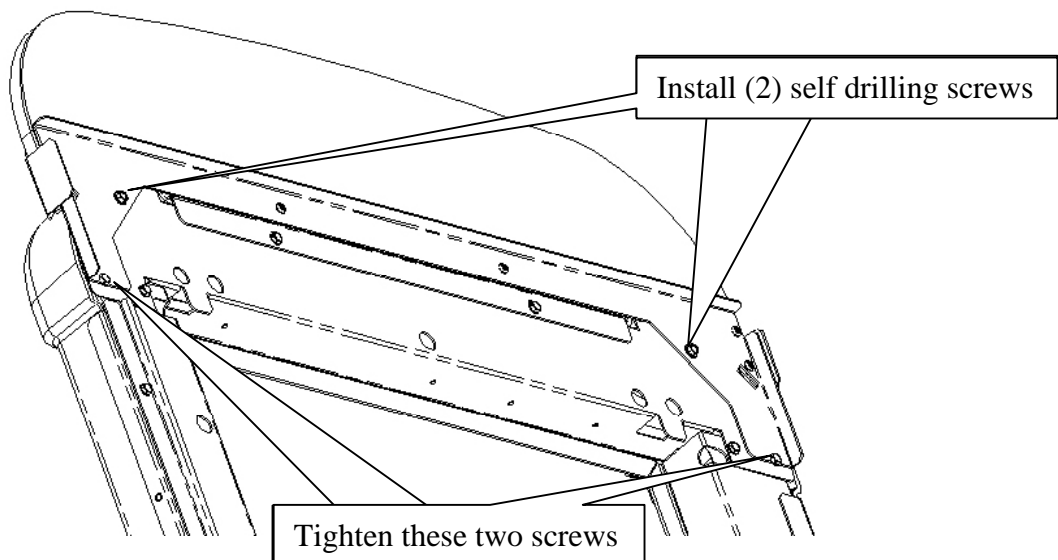
Figure 1



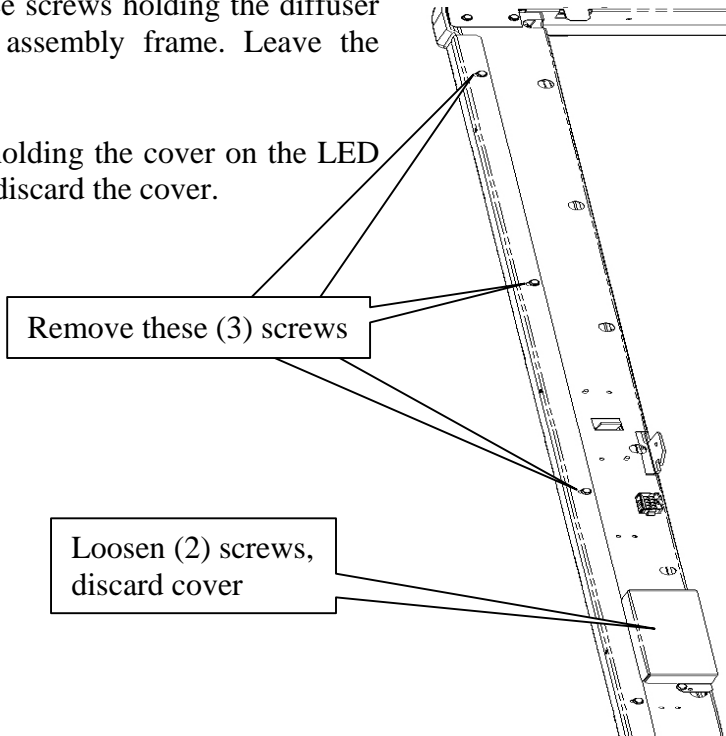
1. Turn the jukebox off and unplug it from the wall outlet. Remove the Nighthawk II lighting assembly from the jukebox. It may be necessary to remove the two pin-in-Torx screws securing the latches on either side of the lighting assembly. Place the lighting assembly face down on a suitable work surface.
2. Loosen but do not remove the two top outside Phillips head screws on the back of the lighting assembly.



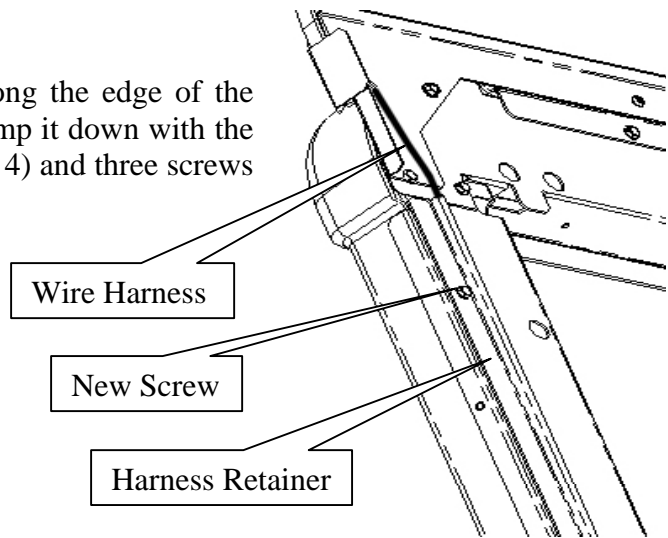
3. Place the Video Marquee Assembly (item 1) in position under the two loosened screws on the back of the lighting assembly then retighten the two Phillips screws. Drive (2) self drilling screws (item 5) through the holes on the back of the Video Marquee Assembly and into the top frame of the lighting assembly. Do not strip the screw holes as you drill.



4. Remove and discard three screws holding the diffuser bracket to the lighting assembly frame. Leave the diffuser bracket in place.
5. Loosen the two screws holding the cover on the LED Controller. Remove and discard the cover.



6. Position the wire harness along the edge of the lighting assembly frame. Clamp it down with the Harness Retainers (items 3 & 4) and three screws (item 6).



7. Disconnect the existing 5 pin wire harness from the LED Control board and plug it into the 4 pin header on the wire harness from the Marquee. Be sure to match up the wire colors. Plug the 5 pin connector on the Marquee harness into the LED Control board.
8. Install the new LED Control Cover (item 2) and tighten the screws.
9. Be sure all screws are tight. Check that the harness is not pinched anywhere. Reinstall the lighting assembly on the NGX jukebox.

