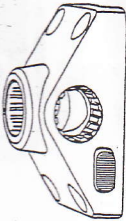
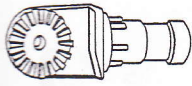
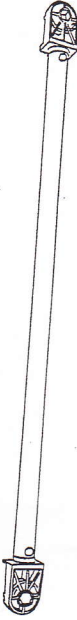

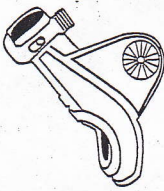
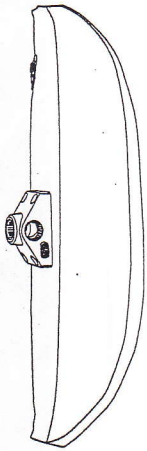
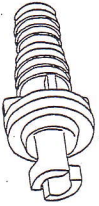
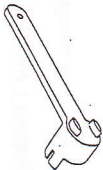
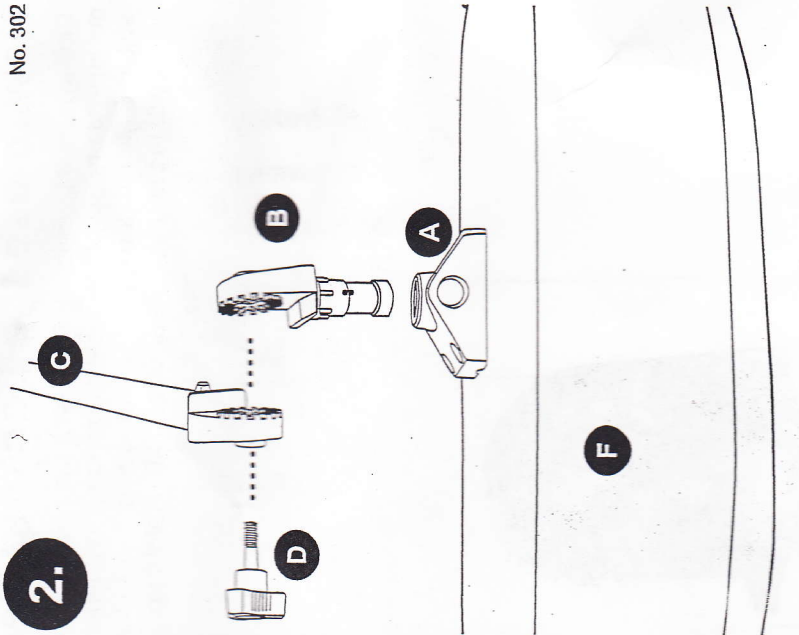
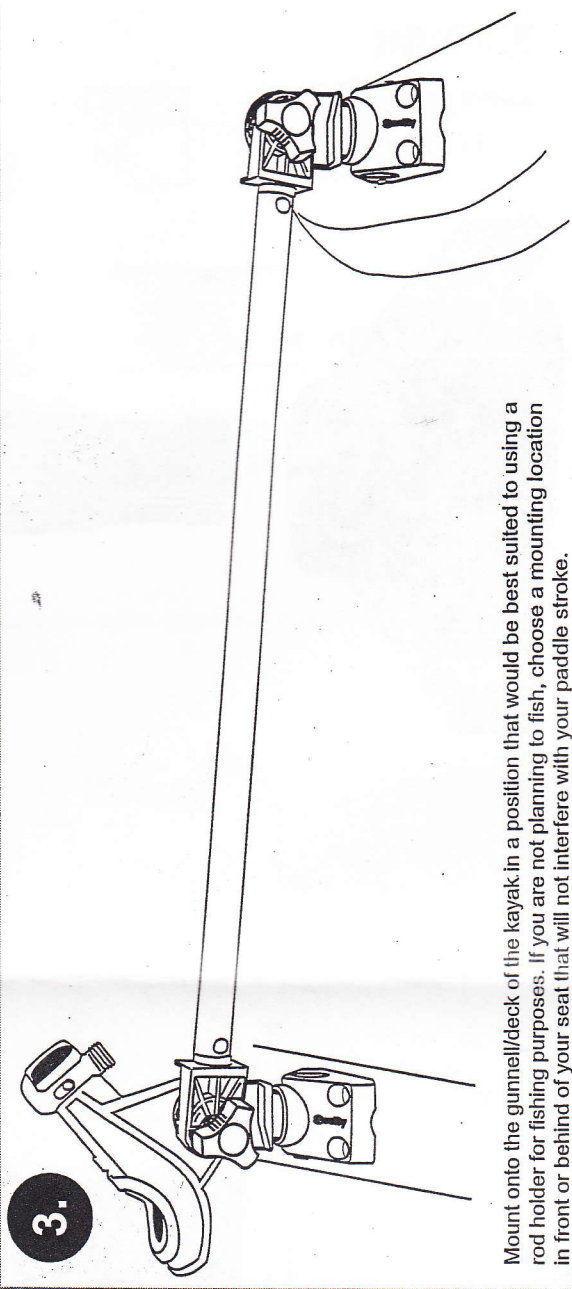
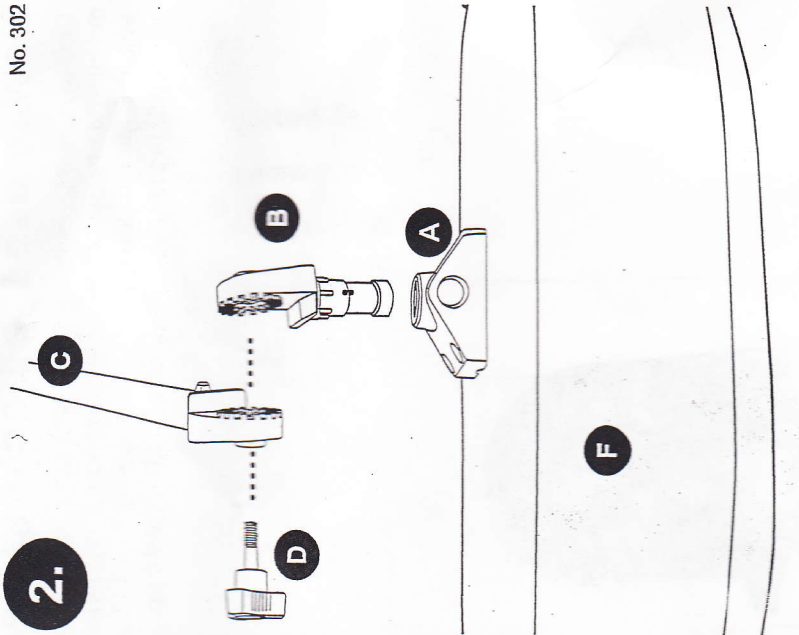


# Package contents include:

- A. 2 Locking Side/Deck Mounts 
- B. 4 Posts 
- C. 2 Stabilizer Arms 
- D. 4 Mounting Knobs 
- E. 2 Baitcaster Rod Holders 
- F. 2 Pontoons with Locking Side / Deck Mounts 
- G. 1 Inflator Adaptor 
- H. 1 Bladder Removal Wrench 



Always use Stainless Steel fasteners. Through bolting washers and lock nuts is recommended. If through bolting is not possible, use a secure fastening system such as a pool or blind rivet.



Mount onto the gunnell/deck of the kayak in a position that would be best suited to using a rod holder for fishing purposes. If you are not planning to fish, choose a mounting location in front or behind of your seat that will not interfere with your paddle stroke.