

PROJECT: _____

LOCATION: _____

ITEM#: _____

QUANTITY: _____

C-PP44-HC

C-PP67-HC

C-PP93-HC

PIZZA PREPARATION TABLES

- Beautiful ergonomic construction & rounded corners
- Digital temperature controller and read-out
- All stainless steel exterior and interior
- Forced air refrigeration system
- Side mount compressor for enhanced efficiency
- 19 1/2" deep cutting board included
- Recessed door handles
- Pre-installed casters and shelving
- 90 degree hold open door feature for loading products
- All Natural R290 Hydrocarbon Refrigerant
- US Department of Energy Certified
- Migali® Protection Plan: 1 Year Parts & Labor Warranty, 5 Years Compressor Warranty

MODEL	DOORS	NUM. OF (1/3) SIZE PANS*	CAPACITY CU/FT	SHELVES	H/P	AMPS	VOLTAGE	ENERGY CONSUMPTION KWH/24 HR	PLUG TYPE	TEMP RANGE	EXTERIOR DIMENSIONS W X D X H*	INSIDE DIMENSIONS W X D X H**	PACKAGED DIMENSIONS W X D X H**	WEIGHT	PACKAGED WEIGHT
C-PP44-HC	1	6	14	1	1/3	4.4	115/60/1	1.8	Nema 5-15P	+33° F (~) +41° F	44" x 33" x 42"	40.4" x 26.4" x 26.3"	47" x 35" x 46"	309 lbs.	352 lbs.
C-PP67-HC	2	9	20	2	2/3	7.6	115/60/1	2.2	Nema 5-15P	+33° F (~) +41° F	67" x 33" x 42"	63.5" x 26.4" x 26.3"	68" x 35" x 46"	355 lbs.	385 lbs.
C-PP93-HC	3	12	26	3	2/3	9	115/60/1	2.6	Nema 5-15P	+33° F (~) +41° F	93" x 33" x 42"	89.4" x 26.4" x 26.3"	95" x 35" x 46"	478 lbs.	503 lbs.

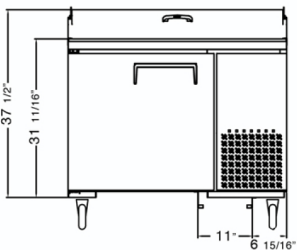
* Pans are not included

** Height is measured floor to the back of the pan rail and include 6" casters

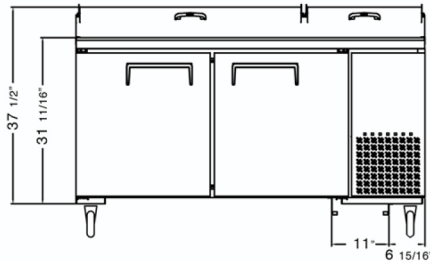
NOTE: MIGALI® RESERVES THE RIGHT TO CHANGE SPECIFICATIONS WITHOUT NOTICE

DIMENSIONAL DRAWINGS

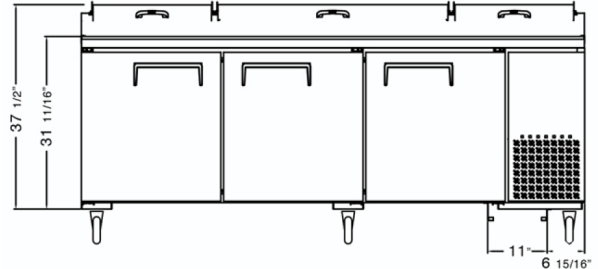
C-PP44-HC



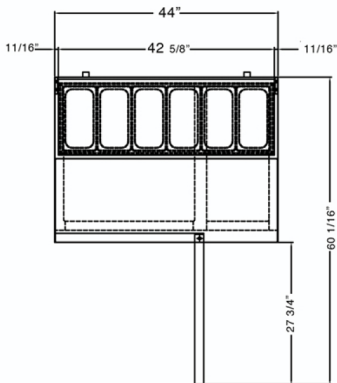
C-PP67-HC



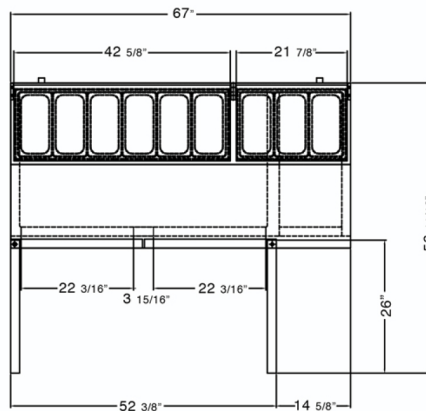
C-PP93-HC



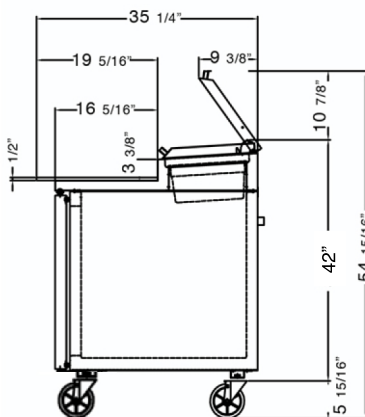
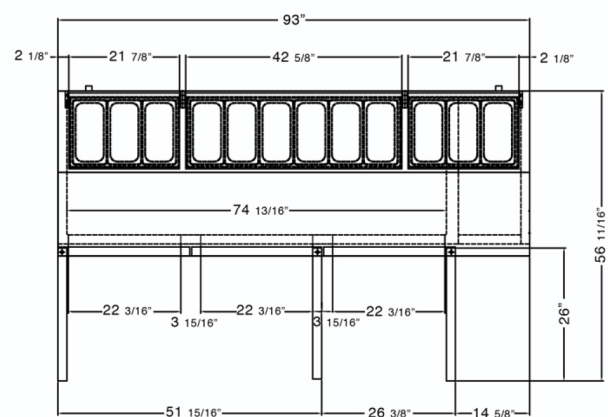
**C-PP44-HC
TOP VIEW**



**C-PP67-HC
TOP VIEW**



**C-PP93-HC
TOP VIEW**



SIDE VIEW (1,2,3) DOOR MODELS



MIGALI® REMAINS AN AMERICAN FAMILY COMPANY SINCE 1955