
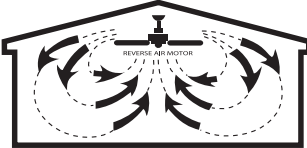


## SPEED CONTROL OPERATION

- Turn on the power and check operation of fan. The pull chain controls the fan speed as follows:
  - ONE PULL - HIGH
  - TWO PULLS - MEDIUM
  - THREE PULLS - LOW
  - FOUR PULLS - OFF
- Speed settings for warm or cool weather depend on factors such as the room size, ceiling height,

## ENERGY SAVING

Warm Weather Operation	Cool Weather Operation
	
<p><b>Air Flow Direction - Downward (COUNTERCLOCKWISE)</b> In warmer weather, downward airflow will create a wind chill effect. This allows for a higher temperature setting on your air conditioning unit without a reduction in the comfort level.</p>	<p><b>Air Flow Direction - Upward (CLOCKWISE)</b> In cooler weather, upward airflow moves stagnant hot air off the ceiling area. This allows for a lower temperature setting on your heating unit without a reduction in the comfort level.</p>

## NOTE

When performing routine inspections of your ceiling fan, do not disturb electrical connections. Should you notice a loose connection during your inspection, ensure all power is off at the electrical panel box. To ensure the success of this installation, be sure to read the instructions and review the diagrams thoroughly before beginning. Follow the instructions that are applicable to your light kit model and fan construction. All electrical connections must be in accordance with local codes and the National Electrical Code. If you are unfamiliar with electrical wiring, secure the service of a qualified licensed electrician.

## WARRANTY:

Free replacement of any part that fails within 1 year from date of purchase, excluding shipping costs. Void if damaged by misuse, accidents, alterations, failure to follow instructions, fire, flood, and acts of God.

If you have any questions or comments, please contact us at: [BrandedProducts.com](http://BrandedProducts.com)



Harley, Harley-Davidson and the Bar & Shield Logo are among the trademarks of H-D Michigan, LLC. ©2011, All Rights Reserved. Manufactured by APMGI under license from Harley-Davidson Motor Co.

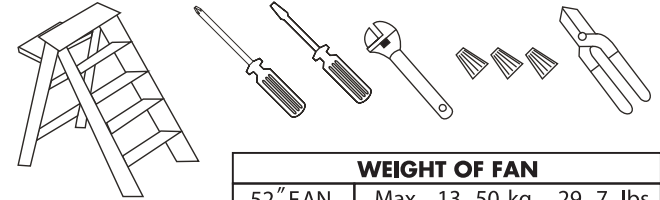
Ace Product Management Group, Inc.  
Milwaukee, WI U.S.A.



## HARLEY-DAVIDSON® CEILING FAN INSTALLATION INSTRUCTIONS

### TOOLS & MATERIALS

- Adjustable wrench
- Phillips screw driver
- Step ladder
- Slotted screw driver
- Wire cutter
- 3 Wire nuts
- Wiring supplies as required by electrical code



### WEIGHT OF FAN

52" FAN	Max. 13.50 kg	29.7 lbs.
---------	---------------	-----------

### SAFETY PRECAUTIONS

- Before you begin installing the fan, disconnect the power by removing fuses or turning off circuit breakers.
- CAUTION:** Read all instructions and safety information before installing your new fan. Review the accompanying assembly diagrams.
- CAUTION:** To reduce the risk of personal injury, install the primary mounting means and use only the hardware provided with the fan.
- Make sure that all electrical connections comply with local codes, ordinances, or National Electrical Codes. Hire a qualified electrician or consult a do-it-yourself wiring handbook if you are unfamiliar with installing electrical wiring.
- Make sure the installation site you choose allows a minimum clearance of 7 feet from the floor to the tips of the blades.
- If you are mounting the fan on a ceiling outlet box, use a metal octagonal outlet box. Check the outlet box and make sure it is securely installed in place. The outlet box and its support must be able to support the moving weight of the fan (at least 35 lbs.) *Do not use a plastic outlet box.*
- After you install the fan, make sure that all connections are secure to prevent the fan from falling.

### WARNING:

To reduce the risk of fire or electric shock, do not use this fan with any solid-state speed control device or variable speed switch.

To reduce the risk of fire, electric shock or personal injury, do not bend the blade brackets when installing the brackets, balancing the blades, or cleaning the fan. Do not insert foreign objects between the rotating fan blades. Do not mount the ceiling fan to the outlet box, unless marked "ACCEPTABLE FOR FAN SUPPORT" and use mounting screws provided with outlet box.

### PREASSEMBLY

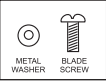
- Be sure you read and understand the Safety Precautions at the beginning of these instructions.
- After opening top of carton, remove mounting hardware package from styrofoam inserts. Do not discard fan carton or styrofoam inserts. Should this fan need to be returned, it must be shipped in its original packaging to insure proper protection against damage that might exceed the initial cause for return.
- Be sure all parts have been included. See parts list Page 2. Remove motor from packing and place on the carpet or on the styrofoam to avoid damage to finish.
- Carefully check all screws, bolts, and nuts on fan motor assembly to insure that they are secured.
- CAUTION:** Before proceeding, be sure to shut off electricity at main switch or circuit breaker in order to avoid electrical shock.

Safety Precaution .....	1
Fan Construction .....	2
Long or Short Downrod Mount Installation .....	3
Mounting Options .....	3
Installation of Mounting Brackets .....	4
Important Two Mounting Choices .....	4 & 5
Two Methods of Making the Electrical Connection .....	6
Attaching the Fan Blades .....	6
Installation of Blade Assembly & Light Kit to Motor, Care & Cleaning .....	7
Trouble Shooting .....	7
Speed Control Operation & Energy Saving .....	8

P.O. NO. :	MODEL # :
DATE OF PURCHASE :	DEALER NAME :
DEALER ADDRESS :	

## FAN CONSTRUCTION


**SCREW BAG INCLUDED**  
**For Die-Cast Blade Bracket**



METAL WASHER  
BLADE SCREW

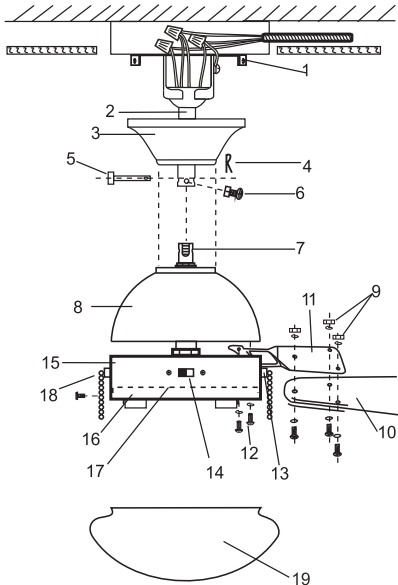
FOR 5 BLADE  
16 PCS. SCREW AND WASHER

**Included in Motor Housing**



PULL CHAIN

FOR LIGHT KIT  
2 PCS. FAN PULL CHAIN  
NO LIGHT KIT  
1 PCS. FAN PULL CHAIN

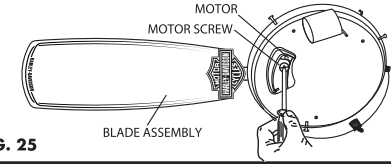


**PARTS LIST**

1. MOUNTING BRACKET
2. DOWN ROD
3. CANOPY
4. SPLIT PIN
5. CROSS PIN
6. SET SCREW
7. RUBBER SLEEVE
8. MOTOR ASSEMBLY
9. BLADE SCREW
10. BLADE
11. BLADE BRACKET
12. MOTOR SCREW
13. 3-SPEED SWITCH
14. REVERSE SWITCH
15. SWITCH HOUSING
16. LIGHT KIT ASSEMBLY
17. SWITCH HOUSING COVER
18. LIGHT SWITCH
19. LIGHT KIT SHADE

**WARNING**  
**DO NOT INSTALL OR USE FAN**  
**IF ANY PART IS DAMAGED OR MISSING.**

## INSTALLATION OF BLADE ASSEMBLY TO MOTOR



**FIG. 25**

MOTOR  
MOTOR SCREW  
BLADE ASSEMBLY

**NOTE:** If fan has no light kit, there is no need to read the following light kit section.

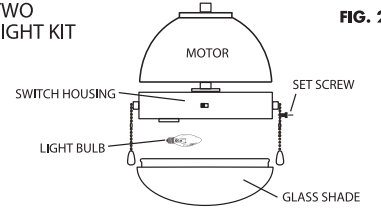
**CAUTION:** To reduce the risk of electric shock, disconnect the electrical supply circuit to the fan before installing light kit.

Mount the blade assembly to the motor with motor screws and washers provided. Make sure all screws are tightened securely.

## INSTALLATION OF LIGHT KIT

**NOTE:** When the connections use wire nuts, the wire nut and wires must be wrapped together with electrical tape. This will prevent the connection from loosening.

**TWO LIGHT KIT**



**FIG. 26**

MOTOR  
SWITCH HOUSING  
LIGHT BULB  
SET SCREW  
GLASS SHADE

1. Install 60W Max. light bulb (included) into socket.
2. Carefully place neck of globe over light bulb and into fitter.
3. Finger-tighten set screws to hold globe in place.

**CAUTION:** Overtightening of set screws could result in globe breaking.

## CARE & CLEANING

- Here are some suggestions to help you maintain your fan.
1. Check the integrity of support connections at least twice each year. Lower ceiling canopy and examine mounting bracket support screws and downrod support assembly. (IT IS NOT NECESSARY TO REMOVE FAN FROM CEILING).
  2. Examine the integrity of the blade bracket and blade attachment on a bi-annual basis.
  3. Periodic cleaning of your new ceiling fan will help maintain a new appearance over the years. Do not use water when cleaning your ceiling fan as this could damage the motor or the wood blades and create the possibility of an electrical shock.
  4. The plating is sealed with a lacquer to minimize any discoloration or tarnishing. Therefore, only use a soft brush or lint free cloth to avoid scratching the finish.
  5. You may wish to occasionally apply a light coat of furniture polish to the blades.

**IMPORTANT**  
 Make sure power is off at the electrical panel box before you attempt any repairs. Refer to the section "Making Electrical Connections"

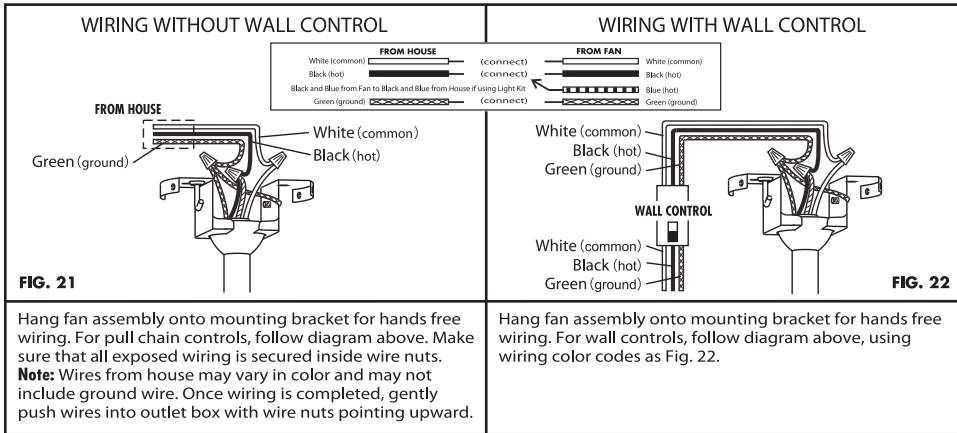
## TROUBLE SHOOTING GUIDE

PROBLEM	CAUSE	SOLUTION
1. Nothing happens; fan does not move.	<ol style="list-style-type: none"> <li>1. Power turned off or fuse blown.</li> <li>2. Loose wire connections or wrong connections.</li> <li>3. Motor reversing switch not engaged.</li> <li>4. Pull chain switch not "on".</li> </ol>	<ol style="list-style-type: none"> <li>1. Turn power on or replace fuse.</li> <li>2. Loosen canopy, check all connections (turn power off while checking).</li> <li>3. Push switch firmly to one side or the other.</li> <li>4. Pull switch chain.</li> </ol>
2. Noisy operation.	<ol style="list-style-type: none"> <li>1. Blade brackets loosely screwed to motor.</li> <li>2. Blade screwed loosely to blade bracket.</li> <li>3. Blade cracked.</li> <li>4. Non-approved speed control device being used.</li> </ol>	<ol style="list-style-type: none"> <li>1. Tighten screws until snug.</li> <li>2. Tighten screws.</li> <li>3. Replace all blades.</li> <li>4. Change to approved speed control device.</li> </ol>
3. Excessive wobbling.	<ol style="list-style-type: none"> <li>1. Blade brackets not attached at proper locations.</li> <li>2. Unbalanced blades.</li> <li>3. Fan too close to vaulted ceiling.</li> <li>4. Loose blades.</li> <li>5. Fan not secure on hanger assembly.</li> </ol>	<ol style="list-style-type: none"> <li>1. Carefully review.</li> <li>2. Interchange blades across from each other.</li> <li>3. Lower or move fan.</li> <li>4. Tighten all screws.</li> <li>5. Turn power off, support fan very carefully, loosen canopy and hang correctly.</li> </ol>
4. Fan Smell.	<ol style="list-style-type: none"> <li>1. Curing lacquer finish.</li> </ol>	<ol style="list-style-type: none"> <li>1. Run fan on high speed. Smell will be gone after 24 to 48 hours.</li> </ol>

When switching from medium to low speed, you may notice the fan wobble. When fan speed stabilizes at low speed, wobble will disappear. If you have checked the above problems and still have trouble, contact us at **BrandedProducts.com**

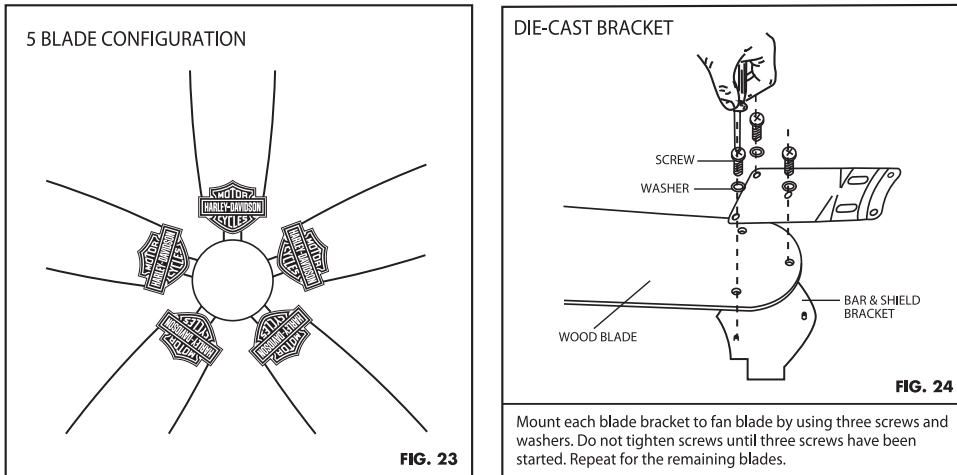
## TWO METHODS OF MAKING THE ELECTRICAL CONNECTION

- NOTE:**
1. Determine the hot and common wires by colors: Black or Red is hot, White is common, and Green or Bare is ground.
  2. If your house color wires are different from owner manual. Please contact professional electrician to determine the color wire.
  3. Conductor of a fan identified as grounded conductor to be connected to a grounded conductor of power supply, conductor of fan identified as ungrounded conductor to be connected to an ungrounded conductor of power supply, conductor of fan identified forequipment grounding to be connected to an equipment-grounding conductor.
  4. Diagrams are for reference only. Switches must be listed general use switches.
  5. After making the wire connections, the wires should be spread apart with the grounded conductor and the equipment-grounding conductor one side of the outlet box and the ungrounded conductor on the other side of the outlet box.

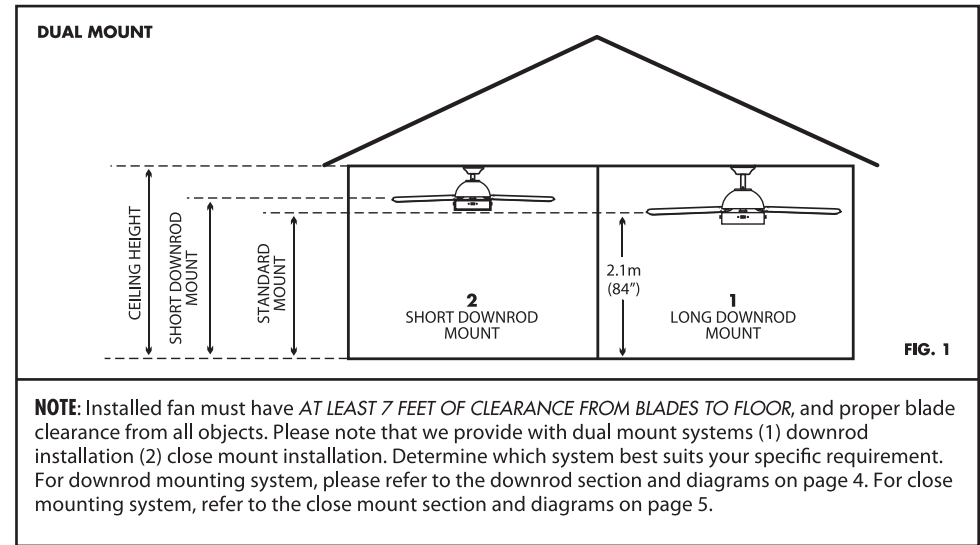


## ATTACH FAN BLADES

Please identify your fan series or compare with the carton box picture.



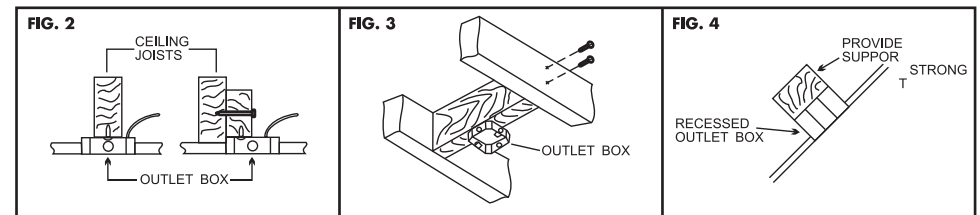
## CHOOSE EITHER LONG OR SHORT DOWNROD MOUNT INSTALLATION



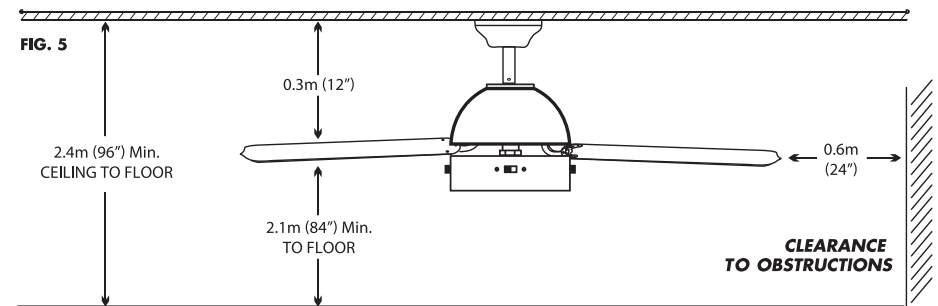
## MOUNTING OPTIONS

If there isn't an existing mounting box, then read the following instructions. Disconnect the power by turning off circuit breakers. Secure the outlet box directly to the building structure. Use appropriate fasteners and building materials. Please refer to safety precautions section point 5. Figure 1 and 2 are examples of different ways to mount the outlet box.

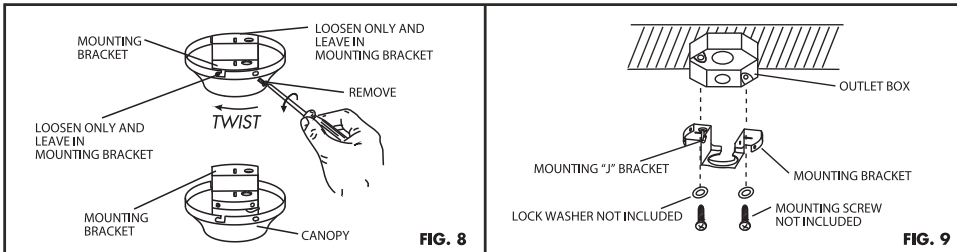
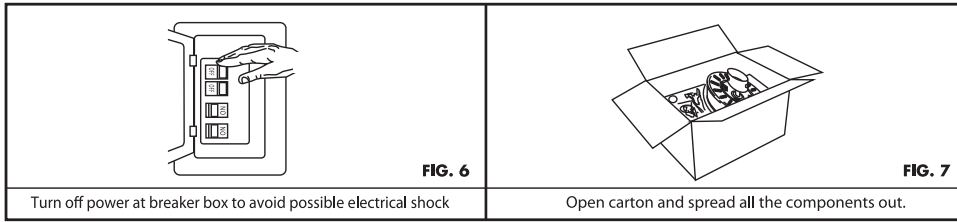
**Note:** You may need a longer down-rod to maintain proper blade clearance when installing on a steep, sloped ceiling. (Figure 3)



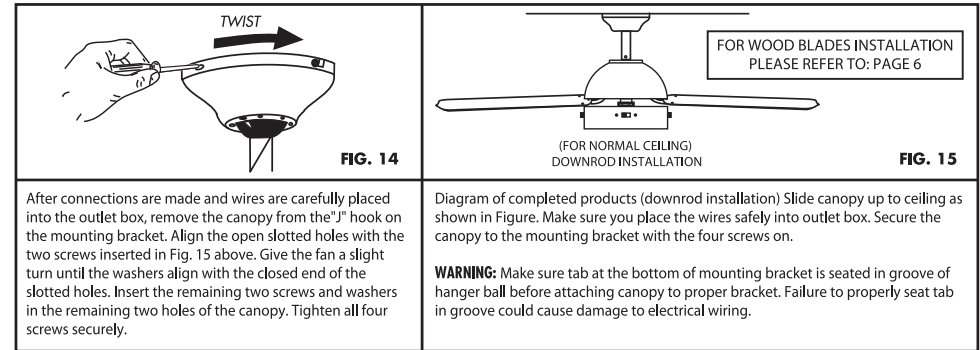
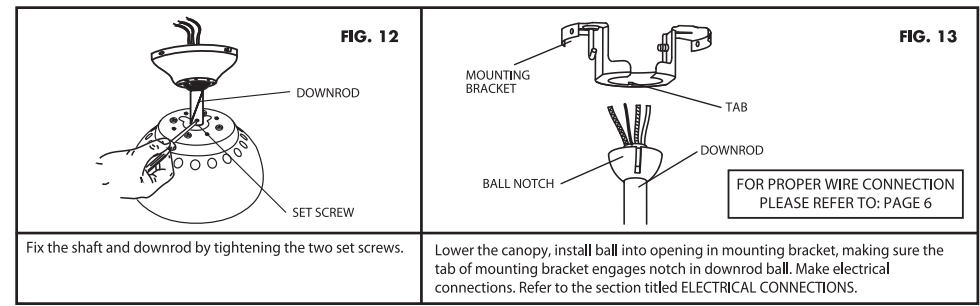
The fan blade must be mounted at least 2.1m (7') above the floor. For maximum efficiency they should not have any obstructions (walls, posts, etc.) within 0.6m (24") of the blade tips. See (Figure 5) for mounting distances.



## INSTALLATION OF MOUNTING BRACKET



<p>Remove the mounting bracket from the canopy by removing the 2 screws and washers that align with the closed holes in the canopy. Loosen the 2 remaining screws and twist the canopy counterclockwise to unlock the mounting bracket from the canopy.</p>	<p>Secure the mounting bracket to the electrical ceiling outlet box with 2 mounting screws and lock washers. (Not provided as they come from the outlet box.)</p> <p><b>NOTE:</b></p> <ol style="list-style-type: none"> <li>1. Install mounting bracket with "J" hook towards the floor.</li> <li>2. The "J" hook will support the entire weight of the motor assembly for hands-free wiring installation (for close mount installation).</li> </ol>
---	---

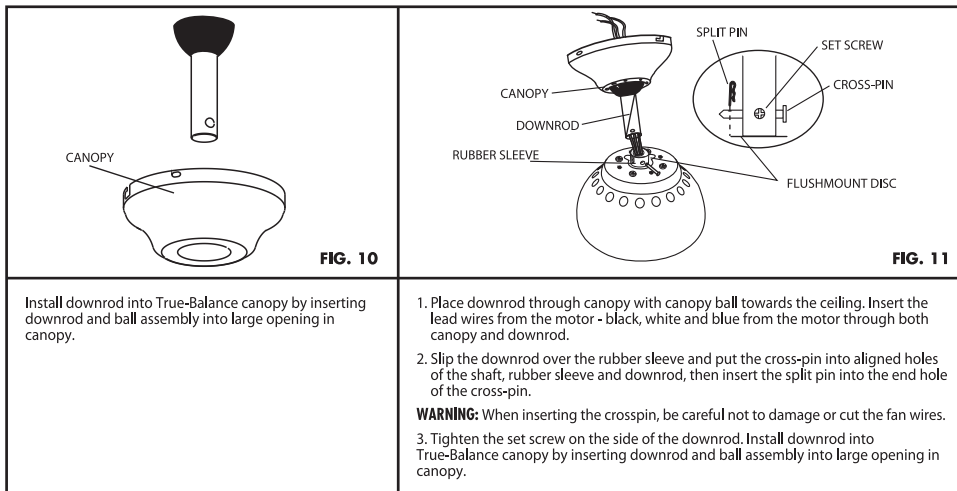


## IMPORTANT - TWO MOUNTING CHOICES

### SELECT YOUR MOUNTING TYPE

It is time to select your proper mounting type. You can install as either a regular downrod type, or a short downrod type.

## INSTALLATION FOR DOWNROD MOUNT MOUNTING



## INSTALLATION FOR CLOSE MOUNT MOUNTING ( FLUSH MOUNT TYPE )

For installing your fan as a flush mounted type (8 1/2" drop from ceiling)

