



**Model QBx-PV4 Music Center
Service & Parts Manual
Manual de Servicio y Partes
Service et Pièces Manuel**



Copyright ©2007-2010

All Rights Reserved

Rock-Ola Manufacturing Corporation

2335 208th Street, Torrance, CA 90501

This document contains information
proprietary to Rock-Ola Manufacturing
Corporation and may not be reproduced,
published or distributed in any form or
disclosed in whole or in part without
written authorization.

Product Specifications are Subject to Change without Notice.

SAFETY INSTRUCTIONS

IMPORTANT!

- a. Read these instructions.
- b. Keep these instructions.
- c. Follow all instructions.
- d. Do not use this apparatus near water.
- e. Clean only with dry cloth.
- f. Do not block any ventilation openings. Install in accordance with the manufacturer's instructions.
- g. Do not install near any heat sources such as radiators, heat registers, stoves, or other apparatus (including amplifiers) that produce heat.
- h. Do not defeat the safety purpose of the polarized or grounding-type plug. A polarized plug has two blades with one wider than the other. A grounding-type plug has two blades and a third grounding prong. The wide blade or the third prong are provided for your safety. If the provided plug does not fit into your outlet, consult an electrician for replacement of the obsolete outlet.
- i. Protect the power cord from being walked on or pinched particularly at plugs, convenience receptacles, and the point where they exit from the appliance.
- j. Only use attachments/accessories specified by the manufacturer.
- k. Unplug this apparatus during lightning storms or when unused for long periods of time.
- l. Refer all servicing to qualified service personnel. Servicing is required when the apparatus has been damaged in any way, such as power-supply cord or plug is damaged, liquid has been spilled or objects have fallen into the apparatus, the apparatus has been exposed to rain or moisture, does not operate normally, or has been dropped.



WARNING: Terminals marked with the lightning flash per are hazardous live and the external wiring connected to these terminals requires installation by an instructed person or the use of ready-made leads or cords.

INSTRUCCIONES DE SEGURIDAD

¡IMPORTANTE!

- m. Lea estas instrucciones.
- n. Conserve estas instrucciones.
- o. Siga todas las instrucciones.
- p. No utilice este aparato cerca del agua.
- q. Límpielo únicamente con un paño seco.
- r. No bloquee ninguna de las aberturas de ventilación. Instálelo de acuerdo con las instrucciones del fabricante.
- s. No lo instale cerca de fuentes de calor como radiadores, registros de calefacción, estufas u otros aparados (incluidos los amplificadores) que generan calor.
- t. No anule la función de seguridad del enchufe polarizado o con conexión a tierra. Un enchufe polarizado tiene dos clavijas, donde una es más ancha que la otra. Un enchufe con conexión a tierra tiene dos clavijas y una espiga para conexión a tierra. La clavija más ancha o la tercera espiga se incluyen para su seguridad. Si el enchufe provisto no se adapta al tomacorriente, consulte a un electricista para reemplazar el tomacorriente obsoleto.
- u. Proteja el cordón eléctrico para que no se pise o pellizque en los enchufes, receptáculos de conveniencia y en el punto donde sale del aparato eléctrico.
- v. Sólo use los accesorios/aditamentos especificados por el fabricante.
- w. Desenchufe el aparato durante tormentas con rayos o cuando no lo utilice por un periodo largo de tiempo.
- x. Remita todo el servicio al personal de servicio calificado. Se requiere el servicio cuando el aparato resulta dañado por cualquier motivo, como un cordón o enchufe eléctrico dañado, se ha derramado líquido o han caído objetos en el aparato, el aparato se ha visto expuesto a lluvia o a humedad, no funciona normalmente o se ha dejado caer.



ADVERTENCIA. Las terminales marcadas con el símbolo del rayo son peligrosas al tener electricidad, y el cableado externo conectado a estas terminales exige que sea instalado por una persona capacitada, o bien usar cables o cordones ya hechos y listos.

CONSIGNES DE SÉCURITÉ

IMPORTANT !

- y. Lisez ces instructions.
- z. Conservez ces instructions.
- aa. Suivez toutes les instructions.
- bb. N'utilisez jamais cet appareil près de l'eau.
- cc. Nettoyez-le uniquement avec un chiffon sec.
- dd. Ne bloquez jamais les ouvertures de ventilation. Procédez à l'installation conformément aux instructions du fabricant.
- ee. N'installez pas cet appareil près d'une source de chaleur telle qu'un radiateur, une bouche de chaleur, un poêle ou tout autre appareil produisant de la chaleur (amplificateurs compris).
- ff. Ne modifiez pas les fonctions de sécurité de la fiche de terre ou polarisée. Une fiche polarisée est dotée de deux lames dont l'une est plus large que l'autre. Une fiche de terre est dotée de deux broches et d'une troisième de mise à la terre. La lame large ou la troisième broche ont un rôle de sécurité. Si la fiche fournie ne rentre pas dans votre prise, consultez un électricien pour remplacer la prise obsolète.
- gg. Protégez le cordon d'alimentation afin de ne pas marcher dessus et qu'il ne soit pas pincé, surtout au niveau des fiches, des prises et du point de sortie de l'appareil.
- hh. Utilisez uniquement les accessoires et les fixations spécifiés par le fabricant.
- ii. Débranchez l'appareil pendant les orages et en cas d'inutilisation prolongée.
- jj. Faites appel à un technicien qualifié pour toute intervention de maintenance ou réparation. Une intervention est exigée lorsque l'appareil a été endommagé d'une manière ou d'une autre, si par exemple la fiche ou le cordon d'alimentation est endommagé(e), si du liquide a été renversé sur l'appareil, si des objets sont tombés dedans, si l'appareil a été exposé à la pluie ou à l'humidité, s'il ne fonctionne pas normalement ou s'il a subi une chute.



AVERTISSEMENT : les bornes marquées d'un éclair indiquent un courant dangereux et que le câblage externe relié à celles-ci requiert une installation par une personne compétente ou l'utilisation de fils ou de cordons déjà prêts.

TABLE OF CONTENTS

SAFETY INSTRUCTIONS	3
INSTRUCCIONES DE SEGURIDAD	4
CONSIGNES DE SÉCURITÉ	5
TABLE OF CONTENTS	6
QBX-PV4 – “NOSTALGIC” MUSIC CENTERS - SPECIFICATIONS	7
QBX-PV4 – “NOSTALGIC” MUSIC CENTER - ESPECIFICACIONES	8
QBX-PV4 – “NOSTALGIC” MUSIC CENTER - CARACTERISTIQUES TECHNIQUES	9
QBX-PV4 -- FRONT DOOR	10
<i>Annual Service</i>	12
<i>Cleaning the Touch Screen</i>	12
AMPLIFIER DESCRIPTION AND OPERATION	13
QBX-PV4 “NOSTALGIC” MUSIC CENTER	13
SERVICE AND MAINTENANCE	17
<i>Core Removal</i>	17
<i>Core Installation</i>	17
<i>Amplifier Removal</i>	17
<i>Amplifier Installation</i>	17
TROUBLESHOOTING & REPAIR	18
CIRCUIT BREAKER LOCATION.....	18
TOUCH MONITOR	19
BLOCK DIAGRAMS	19
TROUBLESHOOTING CHARTS	20
<i>Power Problems</i>	20
<i>Touchmonitor Problems</i>	20
<i>Amplifier Problems</i>	21
LIGHTING SCHEMATIC	22
ACCESSORIES	23
WIRELESS BRIDGE KIT, #02467.....	23
USING A WI-FI BRIDGE.....	23
FRONT DOOR	24
INSIDE DOOR.....	25
INSIDE CABINET.....	27
OUTSIDE CABINET	28
ACCESSORIES	31

QBx-PV4 – “Nostalgic” Music Centers - Specifications

Dimensions:		
Uncrated:		
Height	61”	1.55 m
Width	33-1/2”	.85 m
Depth	23”	58.5 cm
Crated:		
Height	73”	1.85 m
Width	39”	.99 m
Depth	32”	.81 m
Weight:		
Uncrated	304 lbs.	138 kg
Crated	370 lbs.	168 kg
Amplifier:		
Output Power:	800 wRMS /ch @ 2 ohms	
Protection:	Speaker overload High temperature Automatic, self resetting	
Frequency:	30 - 20,000 Hz	
Voltage:	North America	Export
	115VAC	230VAC
	50/60 Hz	50/60 Hz
	900 watts max./288 standby wattage 7.8 amps max / 2.5 standby amps	900 watts max./288 standby wattage 4 amps max / 1.3 standby amps
Frequency:		
Maximum Power Consumption:		
Core:		
Processor	Intel Atom	
RAM	1 GB	
HDD	1 TB	
Speakers:	(2) Tweeter 3” (2) Full Range 6-1/2” (1)Dual Voice Coil subwoofer 10”	

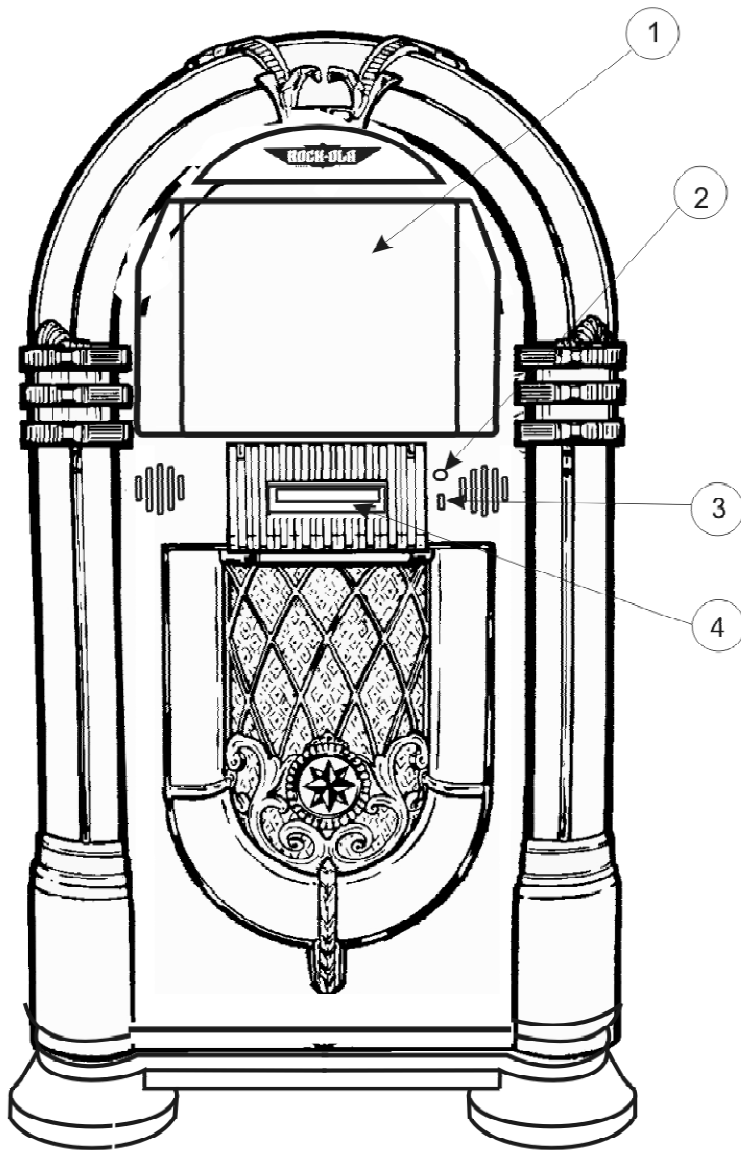
QBx-PV4 – “Nostalgic” Music Center - Especificaciones

Dimensiones:		
Sin embalaje:		
Altura	61”	1.55 m
Ancho	33-1/2”	.85 m
Profundidad	23”	58.5 cm
Con embalaje		
Altura	73”	1.85 m
Ancho	39”	.99 m
Profundidad	32”	.81 m
Peso:		
Sin embalaje	304 lbs.	138 kg
Con embalaje	370 lbs.	168 kg
Amplificador:		
Potencia de salida:	Potencia de música del amplificador principal: 800 máximo	
Protección:	Sobrecarga de altavoces Alta temperatura Reinicio automático	
Frecuencia:	30 - 20.000 Hz	
Voltaje:	North America	Export
	115VAC	230VAC
Frecuencia:	50/60 Hz	50/60 Hz
Máximo consumo de potencia	900 watts max./288 standby wattage 7.8 amps max / 2.5 standby amps	900 vatios máx./ 288 vatios en espera 3,9 amp máx / 1,3 amp en espera
Núcleo:		
Processor	Intel Atom	
RAM	1 GB	
HDD	1 TB	
Altavoces:	(2) Altavoces de agudos (tweeter) de 3 pulg. (2) Altavoces de gama completa de 6 1/2 pulg. (1) Bafle de bajos con núcleo de voz doble de 10 pulg.	

QBx-PV4 – “Nostalgic” Music Center - Caractéristiques techniques

Dimensions:		
Après déballage :		
Hauteur	61”	1.55 m
Largeur	33-1/2”	.85 m
Profondeur	23”	58.5 cm
Avant déballage :		
Hauteur	73”	1.85 m
Largeur	39”	.99 m
Profondeur	32”	.81 m
Poids :		
Après déballage	304 lbs.	138 kg
Avant déballage	370 lbs.	168 kg
Amplificateur :		
Puissance en sortie :	Amplificateur principal : puissance musicale pic de 800	
Protection :	Surcharge des haut-parleurs Haute température Réinitialisation automatique autonome	
Fréquence :	30 - 20 000 Hz	
Tension:	North America	Export
	115VAC	230VAC
	50/60 Hz	50/60 Hz
	900 watts max./288 standby wattage 7.8 amps max / 2.5 standby amps	900 W max./ 288 W en veille 3,9 A max. / 1,3 A en veille
Fréquence :		
Consommation électrique maximale :		
Unité principale :		
Processor	Intel Atom	
RAM	1 GB	
HDD	1 TB	
Haut-parleurs :	(2) Tweeter 3 po (2) Full Range 6,5 po (1)extrêmes-graves Dual Voice Coil 10 po	

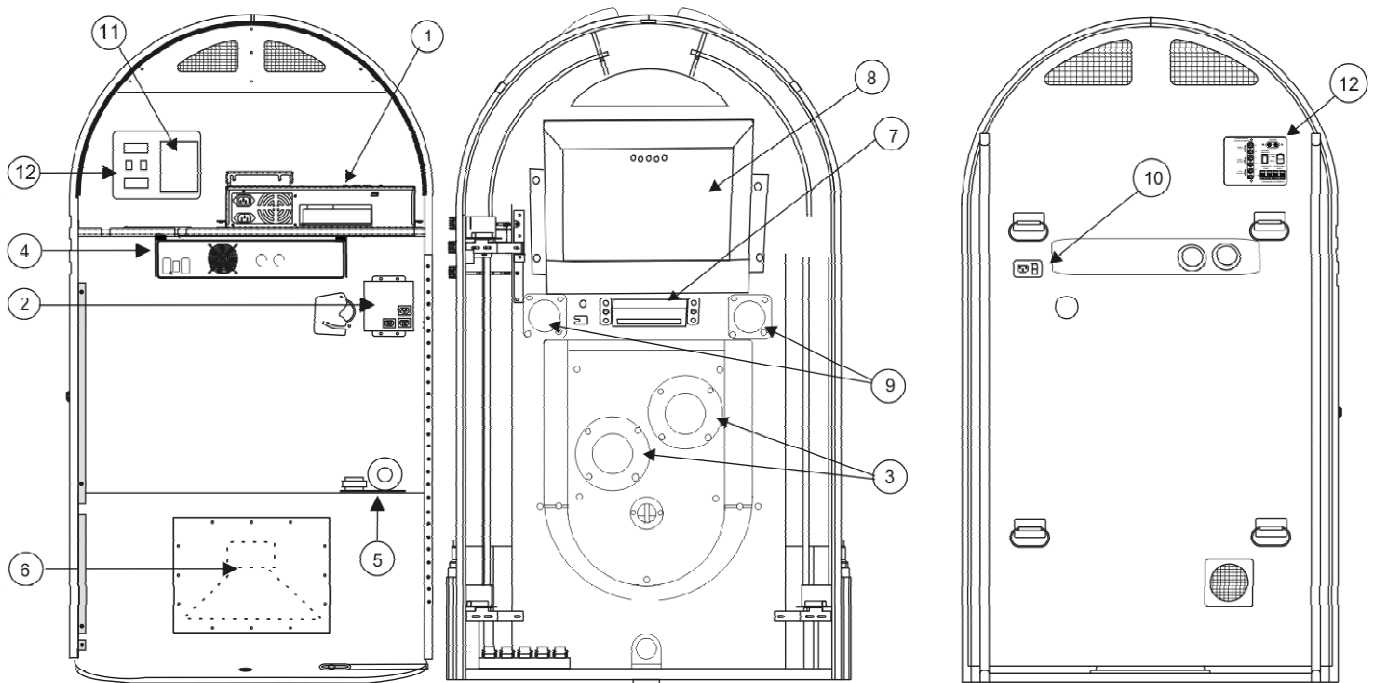
QBx-PV4 -- Front Door



Major Components

1. Touchscreen Monitor
2. Power Button
3. USB Connection
4. CD Drive

Major Component Location



Open Cabinet and rear Cabinet

Major Components

- 1 **Computer Core.** Heart of the Music Center Jukebox.
- 2 **Power Distribution Box**
- 3 **Midrange Speaker (2)**
- 4 **Power Amplifier.**
- 5 **Crossover.** Directs audio for the speakers
- 6 **Woofers Speaker**
- 7 **CD reader**
- 8 **Touchscreen Monitor Assembly**
- 9 **Tweeter Speaker (2)**
- 10 **Main power control panel**
- 11 **Remote Audio Interface**
- 12 **Connection Panel Assy**

Recommended Maintenance of Touchscreen Jukeboxes

Annual Service

Gently, brush dirt from the cabinet cooling fans using a new, soft 2" paintbrush. Verify operation.

Brush dirt from the power supply fan.

Clean and calibrate the touchscreen.

Check fluorescent lamps for excessive blackening of the ends or flickering. Replace if necessary.

Cleaning the Touch Screen

Any standard glass cleaner can be used to clean the touchscreen. Always spray the glass cleaner on the cloth or towel and clean the touchscreen. Glass cleaner sprayed directly on the monitor could possibly leak inside a non-sealed unit and cause damage.

Amplifier Description and Operation

QBx-PV4 “Nostalgic” Music Center

The Amplifier in the QBx-PV4 “Nostalgic” Music Centers is a professional audio model iPR1600 from Peavey Electronics, one of the most recognized names in music instrument and professional audio products. This product contains patented circuitry to limit distortion as well as unique cooling methods. More information on the amplifier is in a separate manual along with a Peavey Warranty Registration Card. By filling out and sending in the card, you will receive an extended warranty on the amplifier.

WARNING:	The Peavey Amplifier is capable of delivering up to 800 watts RMS power to external speaker systems. Be Sure the speakers you connect can handle the power. Do not advance the Equalizer bars above 5 dB if the volume is to be run between 90 and 100% power.
¡ATENCIÓN!	El Peavey amplificador es capaz de entregar hasta 800 vatios RMS de potencia para sistemas de altavoces externos. Asegúrese de que el conectar altavoces que puede manejar el poder. No antemano el ecualizador bares por encima de 5 dB si el volumen se va a ejecutar entre el 90 y el 100% de potencia.
ATTENTION!	Le Peavey amplificateur est capable de fournir jusqu'à 800 watts de puissance RMS pour les systèmes de haut-parleur externe. Assurez-vous que les haut-parleurs vous vous connectez peut gérer le pouvoir. Ne font pas progresser l'égaliseur bars au-dessus de 5 dB si le volume doit être exécuté entre 90 et 100%.

The music files are converted to an analog signal in the Core Computer and sent to the Audio Interface. The interface has RCA jacks for a fixed level output and two zones of variable outputs. From the interface, the audio signal goes to the Peavey amplifier, the speaker crossover/terminal board and finally the jukebox speakers.

BASIC ONE ZONE CONNECTIONS

EXTERNAL SPEAKERS

External speakers may be connected to the terminals provided on the back connection panel. Up to 4 pairs of 8 ohm speakers may be connected. The impedance of the speaker is generally found on the back of the speaker. If in doubt, do not connect more than 3 pairs to be safe.

Match the plus (+) terminal of the speaker to the plus (+) or red terminal in the jukebox.

Match the minus (-) terminal of the speaker to the minus (-) or black terminal in the jukebox.

After the speakers are connected, the speakers in the jukebox may be turned off by unplugging the crossover. **NOTE:** Power is limited to the jukebox speakers to prevent unwanted vibration of the drives and protect the cabinet. Full power is available to the external speakers therefore high efficiency speakers may be louder than the jukebox. This is normal.

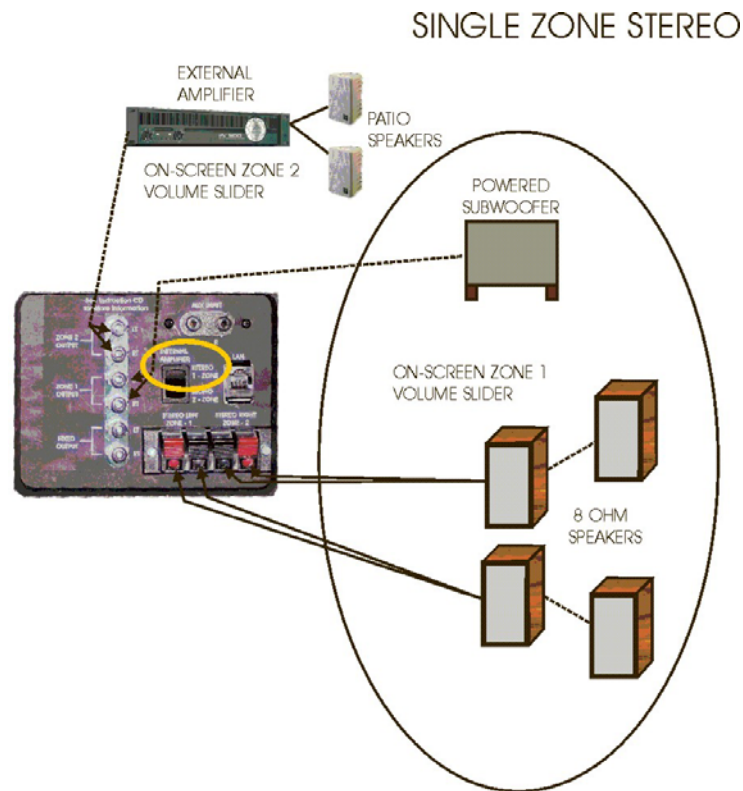


Fig A

The zone 1 slider will control the volume of the jukebox and the external speakers together.

TIP:

If the volume of the system can be turned up louder than desired by the slider lift the "hood" over the Peavey power amplifier and turn the gain controls down to the maximum audio level you wish the slider to go.

EXTERNAL AUDIO SYSTEM

WARNING:	Do NOT unplug or connect RCA plugs with the power amplifier(s) on. The resulting hum or noise may damage the speakers.
¡ATENCIÓN!	NO conecte o desconecte los enchufes RCA con el amplificador de potencia de. El resulting zumbido o ruido puede dañar los altavoces.
ATTENTION!	Ne pas débrancher l'appareil ou se connecter fiches RCA à l'amplificateur de puissance sur. Le resulting bourdonnement ou le bruit mai endommager les haut-parleurs.

TWO ZONE ADVANCED CONNECTIONS

The Audio system may be easily converted from a 2 channel stereo system with 1 zone (volume control) to a 2 zone mono system by pushing the MODE switch. This allows for speakers to be placed outdoors or in another room with an independent volume control.

DUAL ZONE MONO

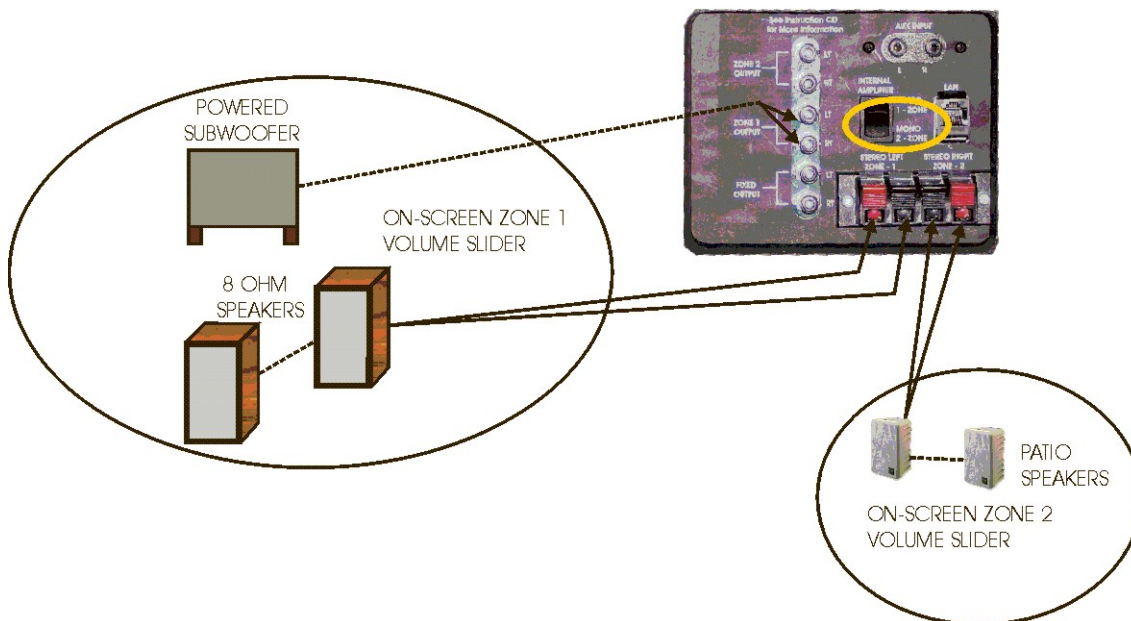


Fig. B

After the speakers are connected, the speakers in the jukebox itself, may be turned off by unplugging the crossover. NOTE: Power is limited to the jukebox speakers to prevent unwanted vibration of the drives and protect the cabinet. Full power is available to the external speakers therefore high efficiency speakers will be much louder than the jukebox. This is normal.

The zone 1 slider will control the volume of the jukebox and the external speakers connected to CH 1 together. The zone 2 slider will control the volume of the speakers connected to CH 2.

TIP:	If the volume of the system can be turned up louder than desired by the slider, turn the corresponding gain control on the Peavey amplifier down to the maximum audio level you wish the particular slider to go.
-------------	---

Service and Maintenance

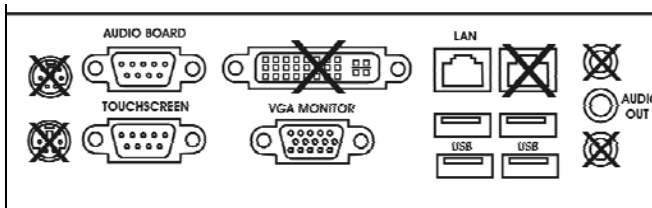
Computer Core

Core Removal

- Be sure power is OFF.
- Unplug the machine.
- Open the door.
- Disconnect all of the cables from the front of the Core.
- With a 3/8" nut driver or socket wrench loosen the four nuts securing the core.
- Push the core towards the back and lift it out.

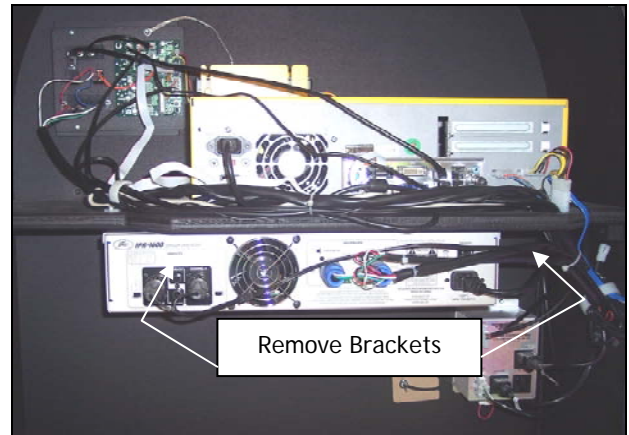
Core Installation

- Be sure the power is OFF and the machine is unplugged.**
- Slide the core on four mounting feet. (Be sure that there are no connectors under the core.)
- Tighten the four nuts on mounting screws.
- Connect all of the cables to the front of the core.
- Turn the core power switch on.
- Plug the machine in.
- Turn the main power switch ON.
- Press the blue power button on the front of the panel.



Computer Core Module

Amplifier



Amplifier Removal

- Disconnect amplifier power cable from the power distribution box.
- Remove brackets.
- Remove 2 nuts from amplifier face.
- Remove the Input and the Output cables.
- Carefully lift the amplifier out.

Amplifier Installation

Connect all of the cables to the amplifier.



- Slide the amplifier into the cabinet.
- Install the nuts on the face.
- Install the brackets.
- Be sure the amplifier power switch is on and gain controls are full (or less, if desired).
- Connect input and output cables. Be sure to match A and B.
- Plug the power cord into the power distribution box.
- Power up and test.

Troubleshooting & Repair

Circuit Breaker Location



Power Distribution Box - main switch with
Circuit breaker

The Jukebox is protected by a main switch/circuit breaker located on the back of the cabinet.

The Power Amplifier has a circuit breaker on the back of it. See the Peavey manual for more information.

El Jukebox está protegido por un interruptor principal / disyuntor situado en la parte posterior del gabinete.

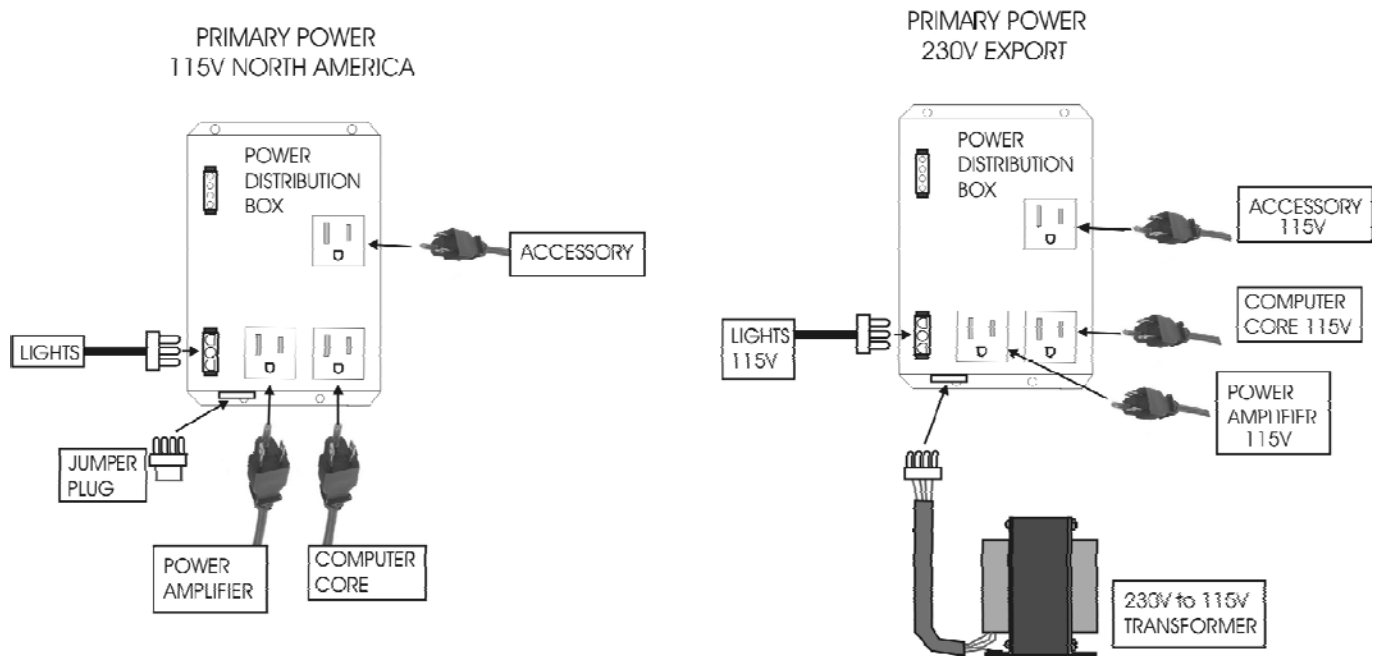
El Amplificador de potencia tiene un disyuntor en la parte posterior de la misma. PEAVEY ver el manual para más información.

Le Jukebox est protégé par un interrupteur principal / disjoncteur situé sur l'arrière de l'armoire.

L'amplificateur de puissance a un coupe-circuit sur le dos de celui-ci. Voir le manuel Peavey pour plus d'informations.

Touch Monitor

Block Diagrams



Troubleshooting Charts

Power Problems

Fault	Symptom	Possible Cause
Jukebox fails to operate at all when it is plugged in and the blue power button has been pressed <i>NOTE: Be sure all devices are connected per primary Power Diagram</i>	LED's on Amplifier all dark LED's on audio processor dark Core fan not running	<ul style="list-style-type: none"> • Main Power switch not on • Plug not in wall outlet or Distribution Box • Outlet "Dead" • "Tripped" Circuit Breaker on Power Box • Core not turned ON • Defective Core
No cabinet lights or sound	Application running on screen	<ul style="list-style-type: none"> • Control cable not plugged into Power Box or remote volume interface • Lights not plugged into "lighting" connector on amplifier • Junction box on door not plugged in

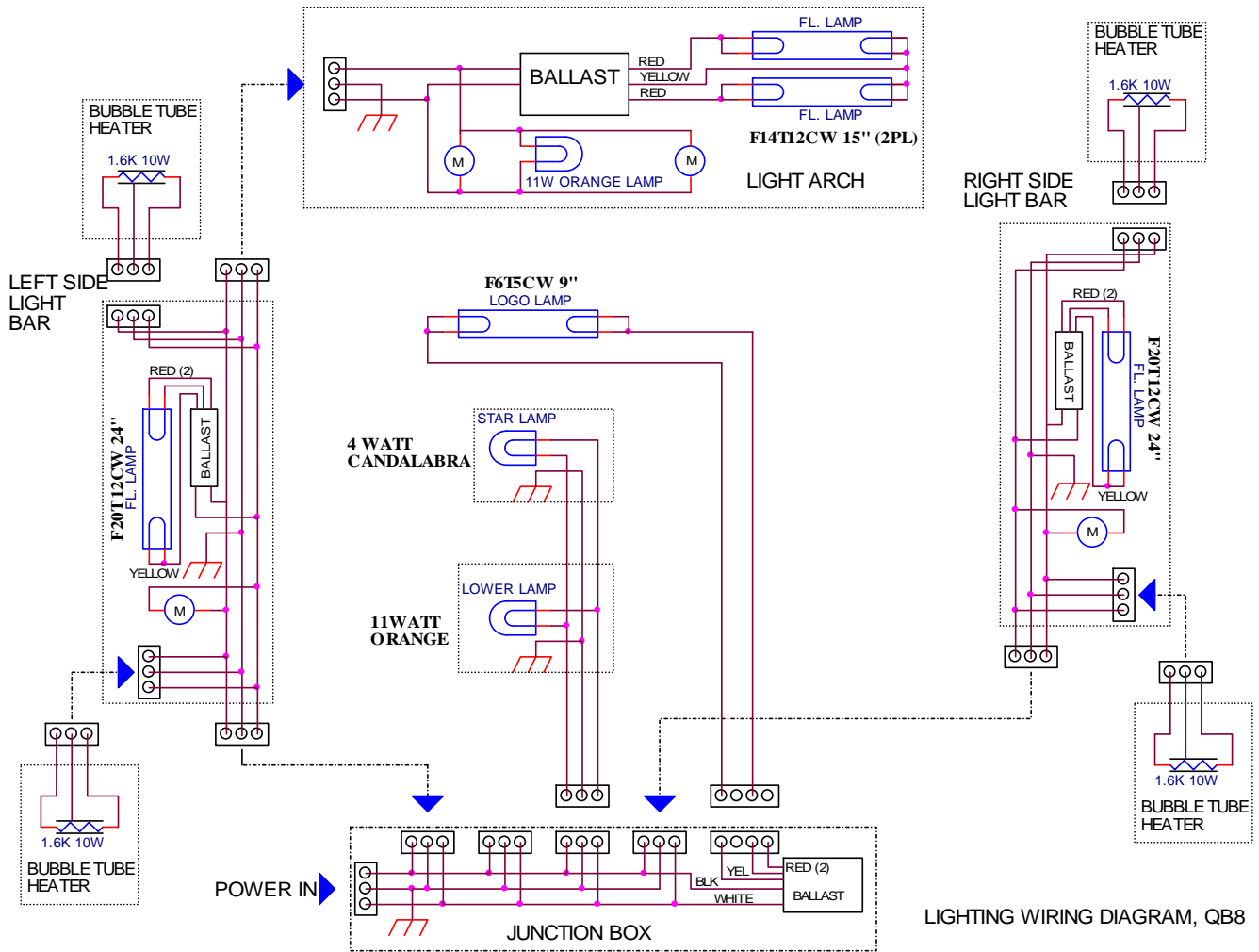
Touchmonitor Problems

Fault	Symptom	Possible Cause
Monitor "Dead" Cabinet lights on	Nothing on the screen	Monitor power cable not plugged into core. Monitor not plugged into CORE Video Output. (Dark blue connector) Defective Monitor or Core
Touch Screen does not respond.	Touch Screen not Calibrated	Run calibration routine by following the procedure on page 11.
	Calibration Routine Fails	Serial Cable not plugged into Core or Monitor (Teal connector) Liquid on the screen Defective Touch Monitor

Amplifier Problems

Fault	Symptom	Possible Cause
Amplifier "Dead" <i>NOTE: Be Sure a selection is playing. Screen should say, "Now Playing"</i>	All Amplifier LEDs Dark	Amplifier power cord unplugged Amplifier circuit breaker tripped Defective Amplifier
	Blue POWER LEDs ON Green Audio LEDs Dark Red DDT LEDs Dark	Input cables not connected Cables to audio interface not connected Defective audio interface
	Blue POWER LEDs ON Green Audio LEDs blinking or on Red DDT LEDs Dark	Audio output cable not connected Be sure speakers are connected. Defective amplifier
	Blue POWER LEDs ON Green Audio LEDs ON Red DDT LEDs Lit	Amplifier overload. Turn off main switch and try again after 15 minutes. Reduce volume or number of speakers Replace amplifier if still in overload.
Weak Sound	Not enough volume	Power amplifier gain controls too low

Lighting Schematic



LIGHTING WIRING DIAGRAM, QB8

Accessories

Wireless Bridge Kit, #02467

The **Wireless Bridge Kit** allows the QB8 to communicate over a wireless (WIFI) network. In addition to the kit you will need

A WIFI available at the point where the jukebox is located.

A personal computer. You will need to program the bridge with the identity of the WIFI access point and security passwords (if used) using a PC before connecting it to the jukebox.

*A word about the kits...*The jukebox does not need a dedicated connection. Since it only communicates with the internet when CD's are being loaded, a temporary connection can be made when adding music.

The Wireless Bridge requires user programming with a PC in order to prepare it for the jukebox.

Using a Wi-Fi Bridge

Connect to a PC.

Follow the instructions that come with the bridge to connect to your Wi-Fi network.

Program the bridge with the WEP password if secure encryption is used.

Disconnect the bridge from the PC.

Install in the jukebox next to the core.

Connect the power cable to the power-in transfer box.

Connect LAN cable to the core.

Turn the system on.

Touch the **Toolbox** icon in the Menu Bar on-screen.

Touch Network Settings tab.

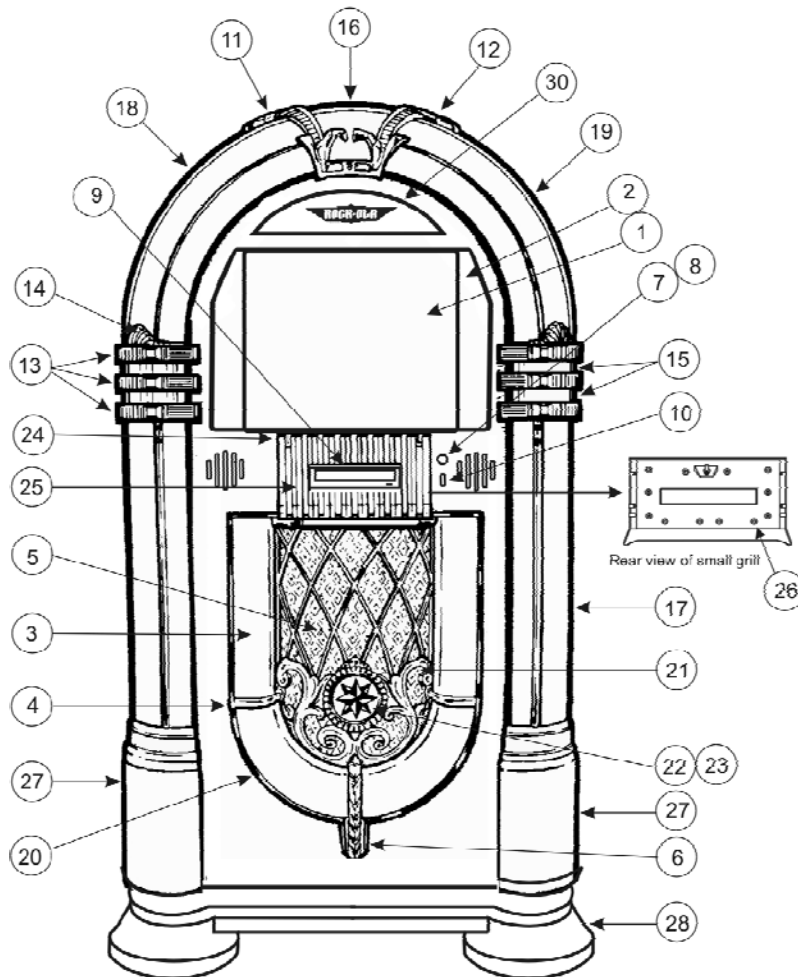
Touch **Auto Configure**. The system should find the Qsonix home.

Now you are ready to rip your CDs into the system!

The Wireless Ethernet Bridge may be purchased from Rock-Ola directly or off the shelf at your local computer store.

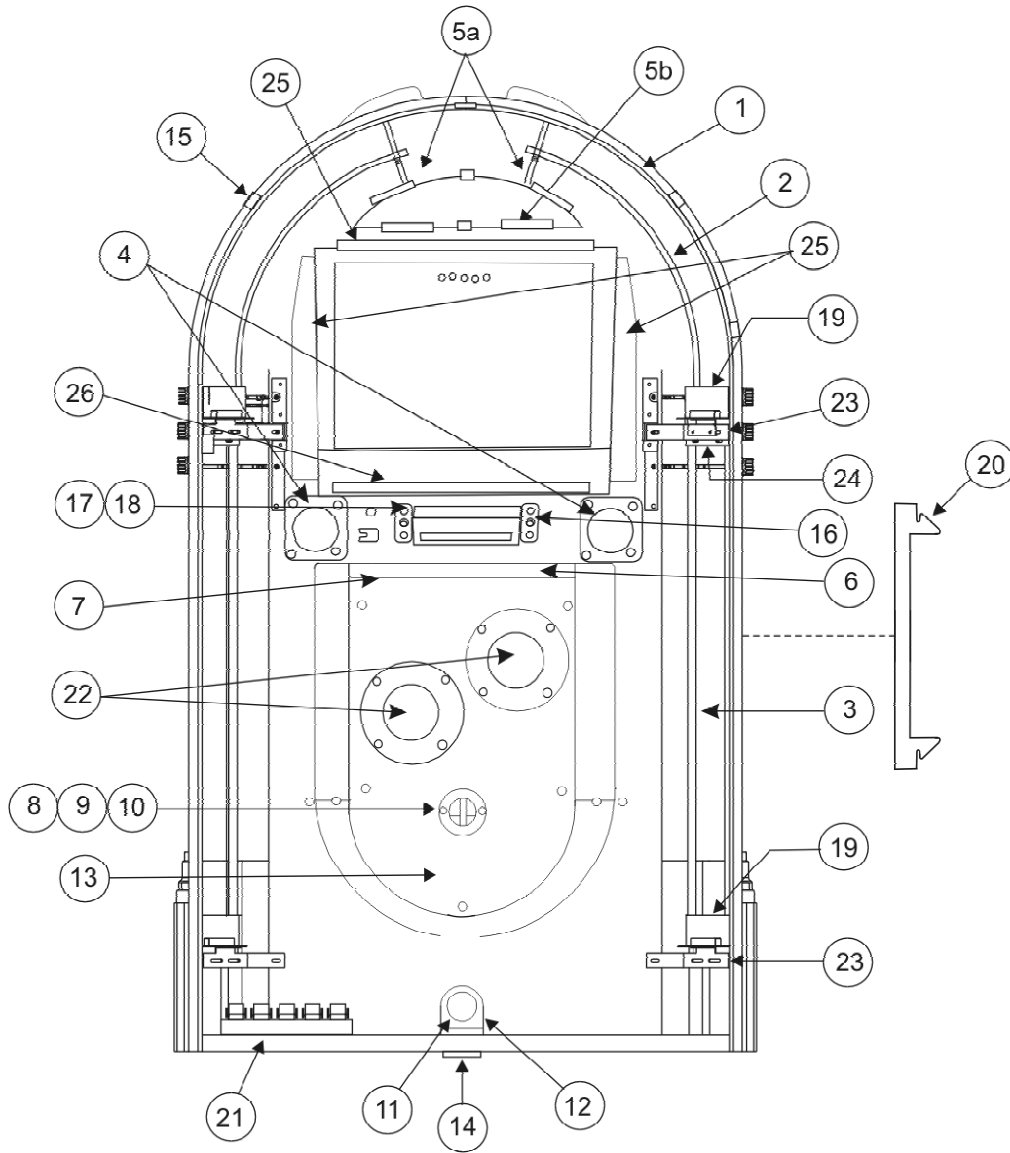
Parts Catalog

Front Door



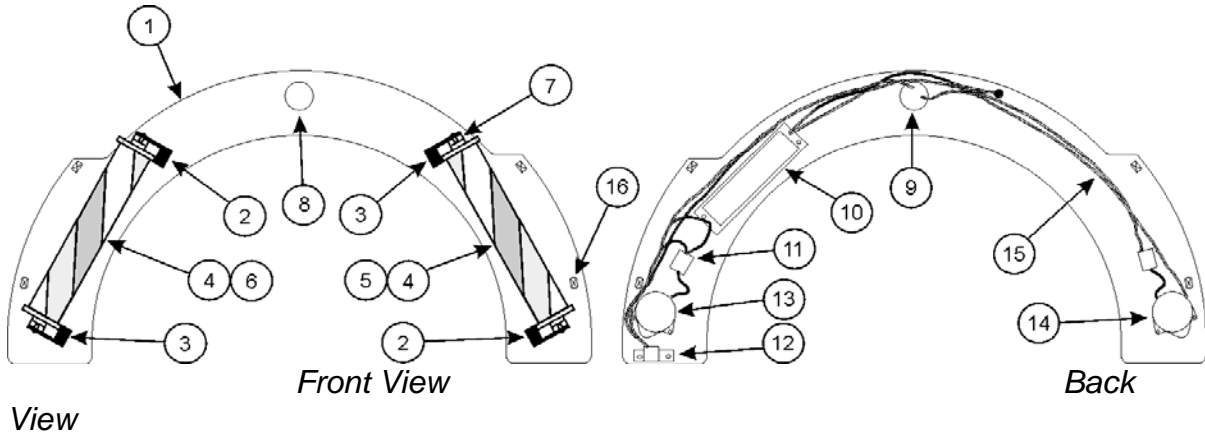
Item No.	Part No.	Description	Item No.	Part No.	Description	
1	SV-61929-LF	Touchmonitor 19" LCD	19	57388	Plastic - Upper Curve Cream RH	
2	62174-LF	Monitor shroud, L & R	20	57452	Plastic - Inner Curve (2 pl)	
3	57453	Plastic - Inner Straight (2 pl)		SV-57392-A	Large Grill Assembly	
4	60202	Grill Trim (2 pl)	21	57393	Casting - Large Grill	
5	57472-19250	Grill Cloth Diamond Pattern 19-1/4"	22	57394	Star Logo	
6	57450	Grill Support	23	SV-60771-A	Grill Diffuser Plastic & Bracket Assy	
7	61478-A	Power Button Harness		SV-58840-A	Small Grill Assembly	
8	61712-LF	Power Switch Plate	24	58848-LF	Small Grill Casting	
9	62181-A-LF	DVD Drive/Black, SATA	25	62100	Plastic Insert	
10	61500-A-LF	USB extension harness	26	ST-11303	Speed Nut 3/16"	
11	57380	Casting - Upper Trim LH		27	61588	Knee Assembly, Walnut
12	57381	Casting - Upper Trim RH		28	SV-23748-A	Base Assy
13	57382	Casting - Side Trim (6 pl)		29	61740-A-LF	IR Receiver
14	57383	Casting - Shell Trim (2 pl)		30	62116-01-LF	Logo Insert
15	57384	Plastic - Side Red (2 pl)				
16	57385	Plastic - Top Red				
17	57386-01	Plastic - Pilaster Cream				
18	57387	Plastic - Upper Curve Cream LH				

Inside Door



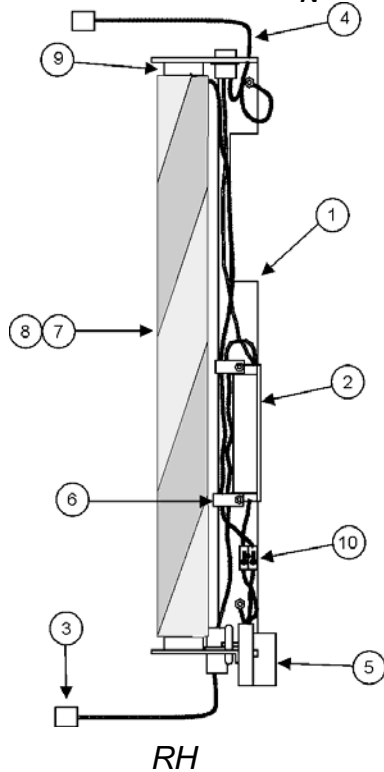
Item No.	Part No.	Description	Item No.	Part No.	Description
	See next page	Light Arch Assembly	12	57468-01	Lower Door Light Bracket
	See next page	Light Bar Assembly	13	SV-57469-3A	Speaker Board Assembly
1	57448	Bubble Tube, Long Curve (2 pl)	14	57464	Kick Plate
2	57449	Bubble Tube, Short Curve (2 pl)	15	57439-01	Light Arch Hanging Bracket (4 pl)
3	57447	Bubble Tube, Straight Long (4 pl)	16	60702	Fluorescent Light Bracket (2 pl)
4	61888-LF	Speaker 3" Tweeter, Peavey (2 pl)	17	60757	Lamp Socket (2 pl)
5a		Logo insert brackets (2 pl)	18	57467	Fluorescent Tube F6T5CW 9"
5b		Logo insert brackets	19	SV-60764-A	Bubble Tube Heater & Mtg Assy (4 pl)
6	57474	Light Diffuser Metal Frame	20	58617	Dual Lock Strike
7	57475	Door Light Diffuser	21	60747-A	Junction Box Assembly
8	60899	Grill Light Bracket	22	58936-LF	Midrange Speaker (2 pl)
9	57431	Single Lamp Socket	23	58443	Mounting Bracket, Heater (4 pl)
10	60894	Lamp, Incandescent, 4w	24	58444	Mounting Bracket, Bubble Tube (2 pl)
11	57433	Bulb 11 watt, Orange	25	62169-LF	Monitor Bracket, top
			26	62170-LF	Monitor Bracket, bottom

Arch Light Assembly # SV-60765-A



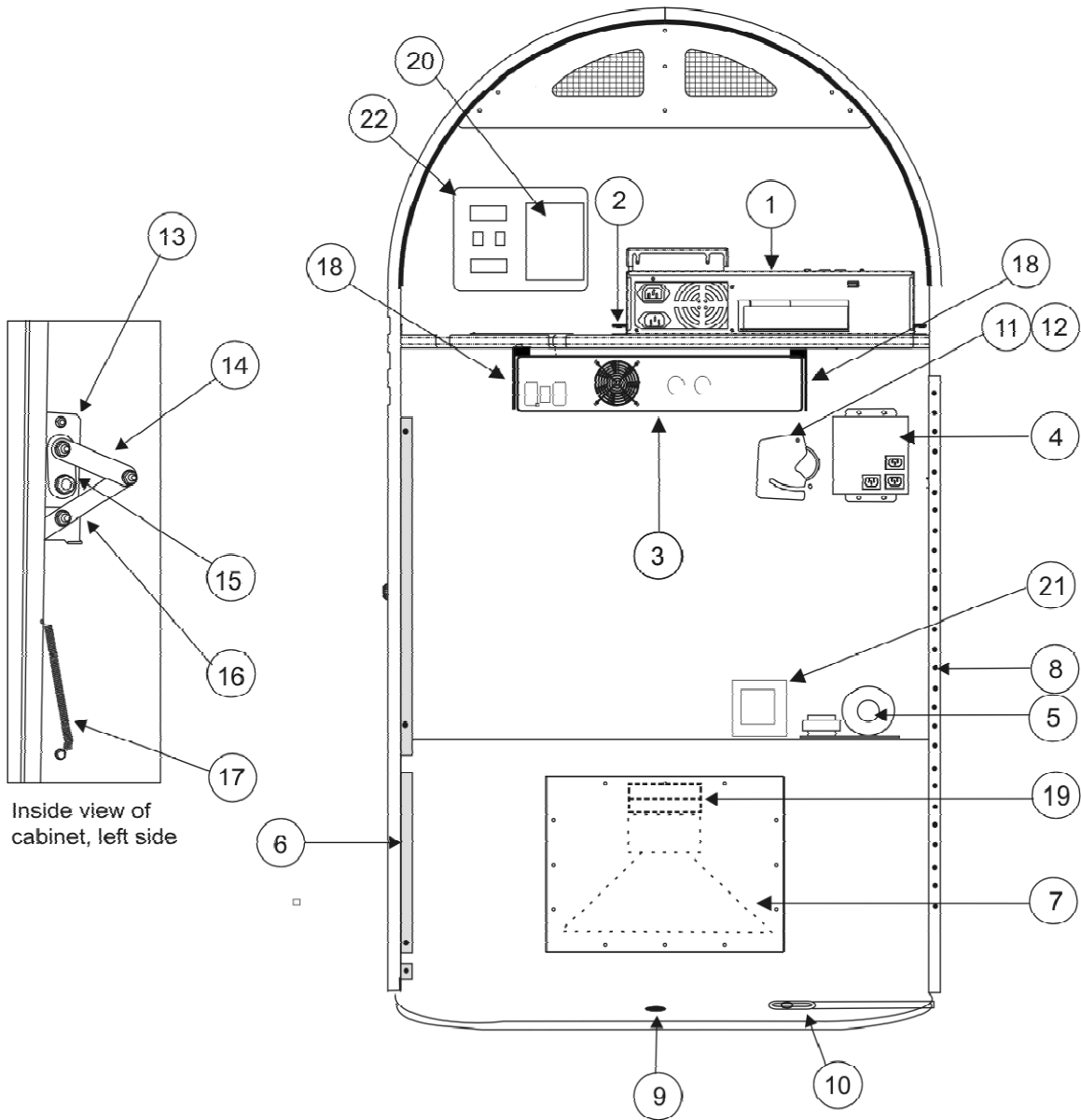
Item No.	Part No.	Description	Item No.	Part No.	Description
1	60696	Arch Light Frame	9	57431	Single Lamp Socket
2	57429	Lamp Bracket, RH	10	60207	Ballast, Workhorse 3
3	57430-01	Lamp Bracket, LH	11	57413	Terminal Strip, 2 pole
4	57434	Fluorescent Lamp F14T12CW	12	60739	Terminal Block
5	SV-57438-3A	Color Cylinder Assy, RH	13	SV-58046-A	Motor Assy, RH
6	SV-57435-3A	Color Cylinder Assy, LH	14	SV-58045-A	Motor Assy, LH
7	57415	Fluorescent bipin Socket	15	SV-60715-A	Arch Light Cable Assy
8	57433	Bulb 11W Orange	16	57440	Nylon Latch, 1/4 Turn

Light Bar Assembly



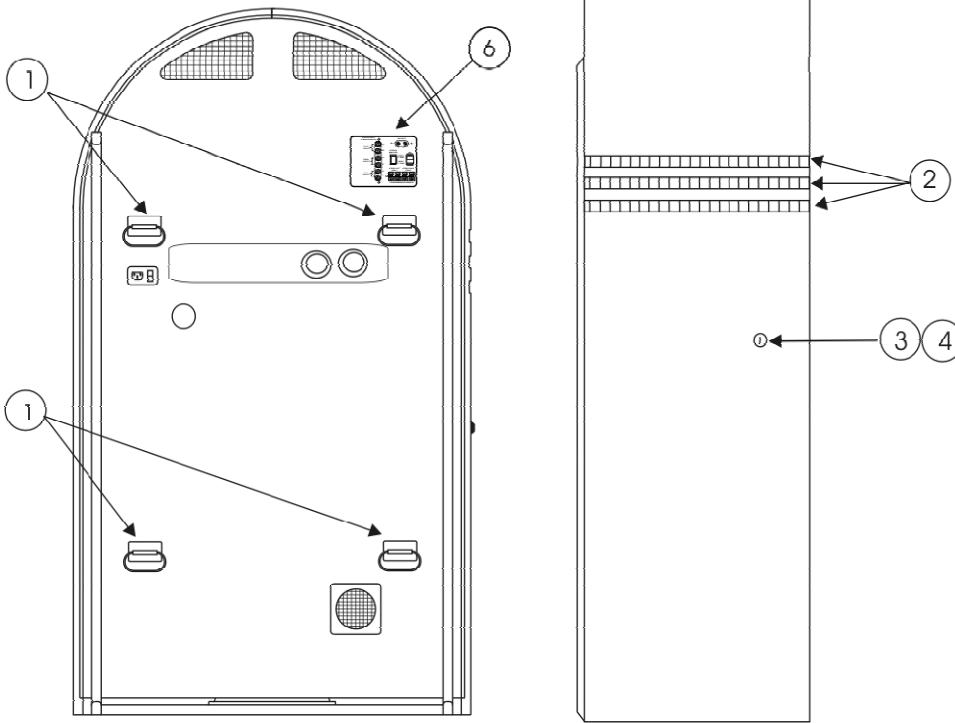
Item No.	Part No.	Description
1	60769-A	Light Bar Bracket, LH
	60770-A	" " " RH
2	SV-60748-A	Ballast & Cable Assembly
3	SV-60708-A	Harness, Heater Power
4	SV-60714-A	Harness, Light Bar Power
5	SV-58045-A	Motor Assembly, LH
	SV-58046-A	" " " RH
6	60739	Terminal Block
7	SV-57416-1A	Color Cylinder Assembly, LH
	SV-57425-1A	" " " RH
8	36121	Fluorescent Lamp F20T12CW
9	57415	Fluorescent bipin socket
10	57413	Terminal Strip, 2 pole

Inside Cabinet

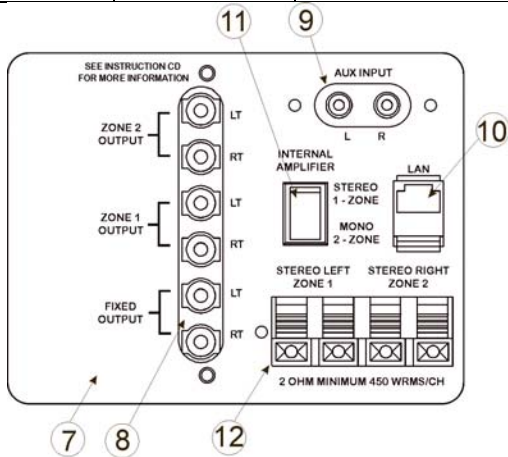


Item No.	Part No.	Description	Item No.	Part No.	Description
1	SV-70313-A	CPU Assembly	12	ST-01352	Wing Nut
2	60884	Rubber Mount (4 pl)	13	60881-A	Pivot Plate, Lock
3	SV-62143-A	Peavey IPR-1600 Amplifier, 115 volt	14	60699-LF	Lock Arm
4	SV-62156-A	Power Distribution Box, Universal	15	60697-A-LF	Cam Bolt
5	60717-A	Speaker Crossover Assy	16	60880-A-LF	Lock Lever
6	SV-57366-A	Dual Lock Assy	17	57372	Extension Spring
7	57288-02	Woofer Speaker	18	62179-LF	Amplifier Bracket, (2)
8	57377	Door Hinge	19	62182-LF	Resistor, 10ohm, 50 watt (2)
9	57477	Nylon Base Tack Glide	20	SV-62158-A	Audio Processor
10	61021	Door Stop	21	62155	Transformer (230V only)
11	46956	Cable Cover	22	-	Connection Panel Assy (see next page)

Outside Cabinet



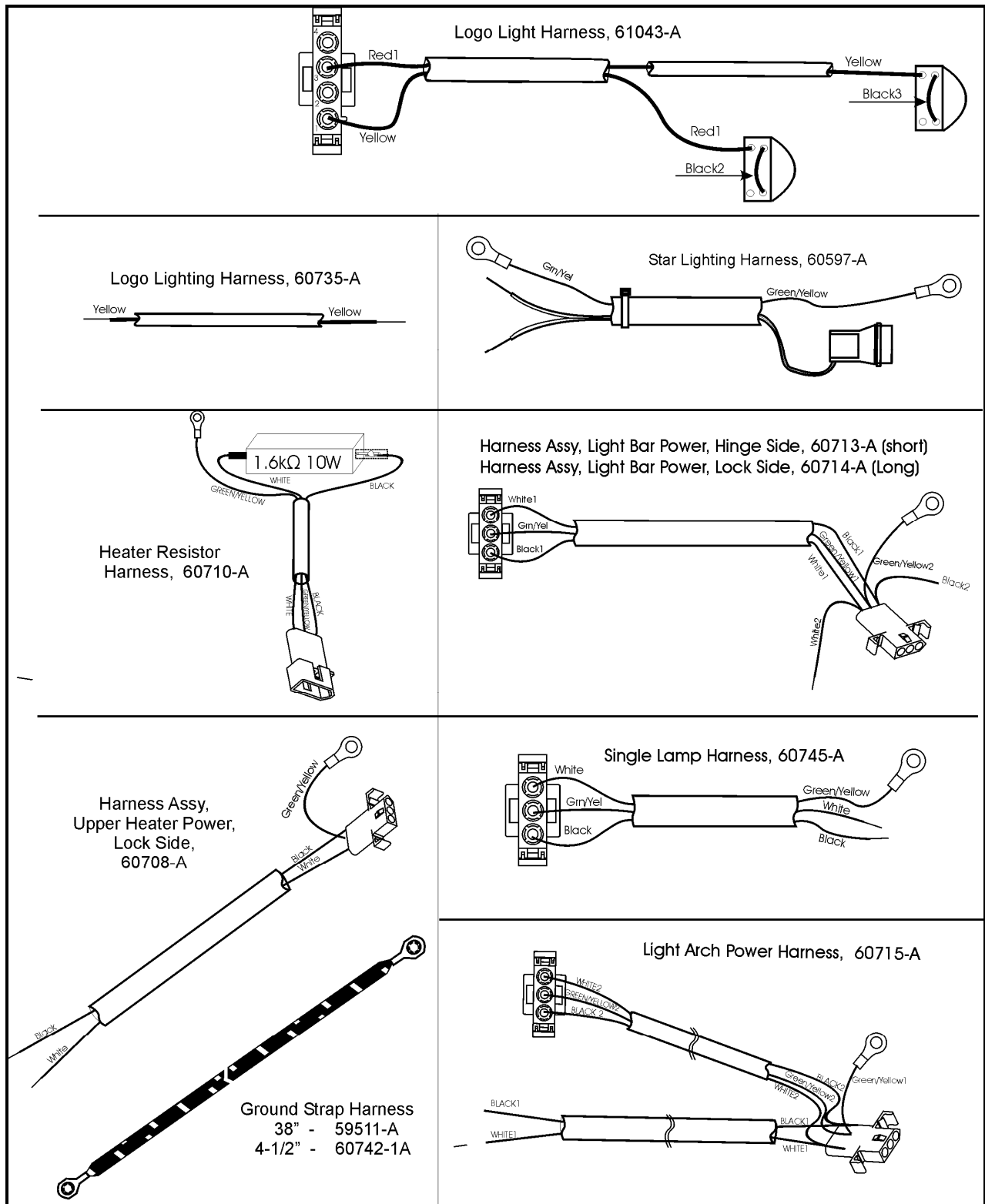
Item No.	Part No.	Description
1	SV-49997-3A	Handle & Bracket Assy (4 pl)
2	57376-11000	Mirror Strips 16"
3	ST-11296	Lock & Key
4	ST-11296-K	Key only
6	SV-62042-A	Connection Panel Assembly
7	62007-A-LF	Connection Panel
8	SV-6158-A	Audio Processor PC Board
9	62162-A-LF	Harness, Aux Input
10	61855-LF	Panel Mount Coupler, RA
11	61904-LF	Switch, DPDT, snap in
12	61856-LF	Speaker Terminal



Harnesses

Part No.	Description
62178-A-LF	Harness, Speaker
62177-A-LF	Harness, Preamp to Dual XLR
61515-1A-LF	CDP Power Extension harness
57854-A-LF	Ground strap harness
60729-A	Power Supply to Junction Box Harness
61122-LF	Core Power Harness, 115 Volt
61478-A	Power Button Harness
61709-A-LF	QB8-PV Cabinet Power Harness
60833-A	VGA Harness
60834-A	Serial Harness
	Aux Input Harness
61844-A-LF	Ground Harness, 15" Dual Lug
61968-A-LF	CAT-5 Harness, 24"
62103-A	Harness, Monitor Power
	Shielded Audio Cable 3.5mm to .100 x 3
61500-A-LF	Harness, USB Extension
61778-A-LF	Ground Harness, Upper Door
61062-LF	Groundstrap (2)
60742-1A-LF	Harness Assy., Ground Strap

Harnesses, Door



Accessories

Part No.	Description
02467	Wireless Bridge Kit



61746-03
QB-Series Music Center
QBx-PV4 Models
Service & Parts Manual