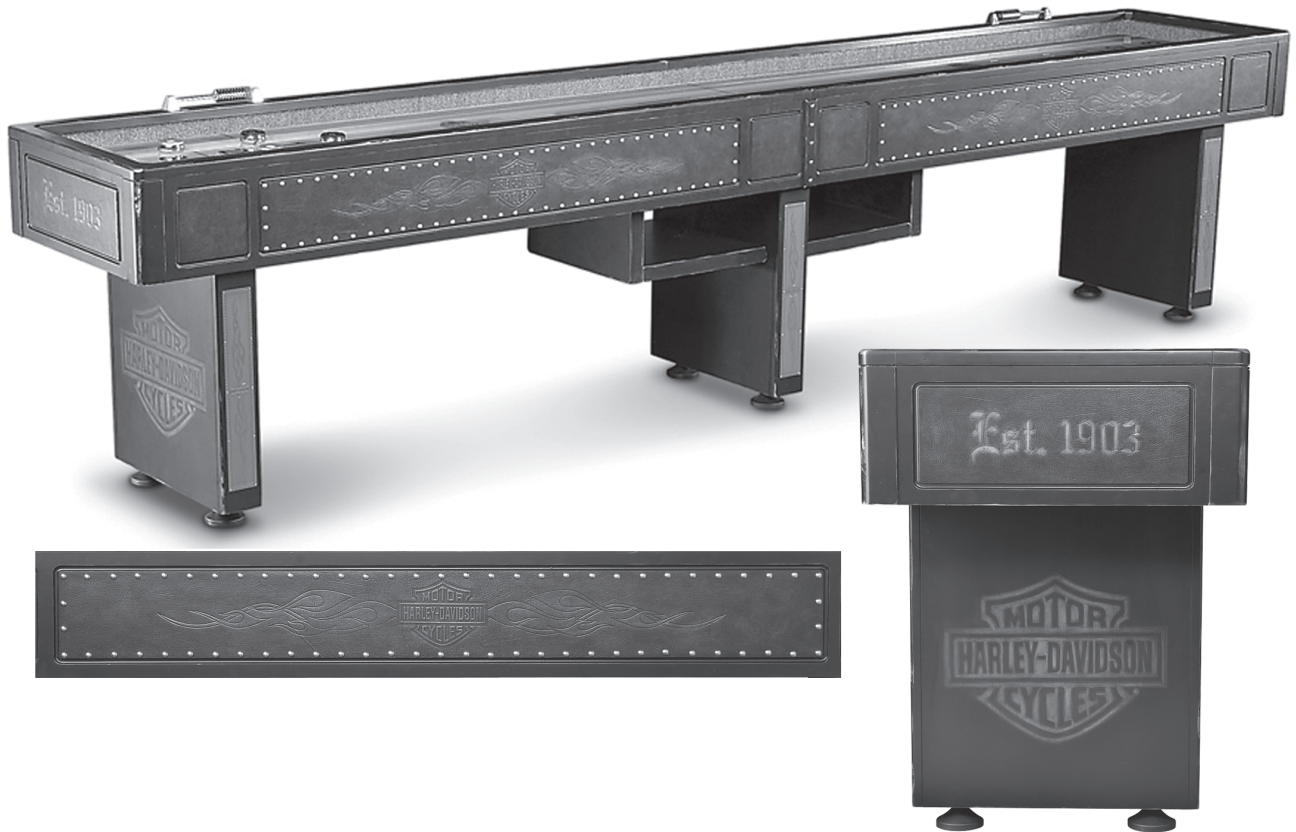


HARLEY-DAVIDSON® BAR & SHIELD FLAMES SHUFFLEBOARD



INSTRUCTION MANUAL

Tool List

To make the job of assembling our shuffleboards as easy as possible, we've put together a list of tools we believe will help.

Phillips Screw Driver

A screw gun with a phillips head will make it easier and faster.

Socket

A 3/4" or large crescent wrench

Wrench

A socket wrench with 7/16", 1/2", and 9/16" sockets.

Level

12" or 18" regular bubble level.

Blanket

This will be needed during installation of the climate adjusters.

If available, two carpeted or padded 2x4's 24" long. This will act as your first support spot for the playfield installation. Place the padded 2x4's across the cabinet and lay the playfield upside down on the padded 2x4's to install the climate adjusters on the Elite and Sterling shuffleboards.

Getting Started

Get Some Help

You'll need at least two people to complete the installation. You may want to enlist some friends to help. *The playfield is extremely heavy and should not be moved by no fewer than two people. Injury can and probably will occur.*

Placement

Check your room setting for placement. Once you install the shuffleboard, it is very difficult to move. Decide on a permanent location before installation. Be sure to give enough room on each end to stand comfortably and shoot pucks. The shuffleboard is usually placed along a wall.

Packaging

Our shuffleboard is shipped in 3 boxes. The playfield for the 12 and 14 foot shuffleboards are packed in crates for extra protection. Please take special care when opening the crate. The playfield is heavy.

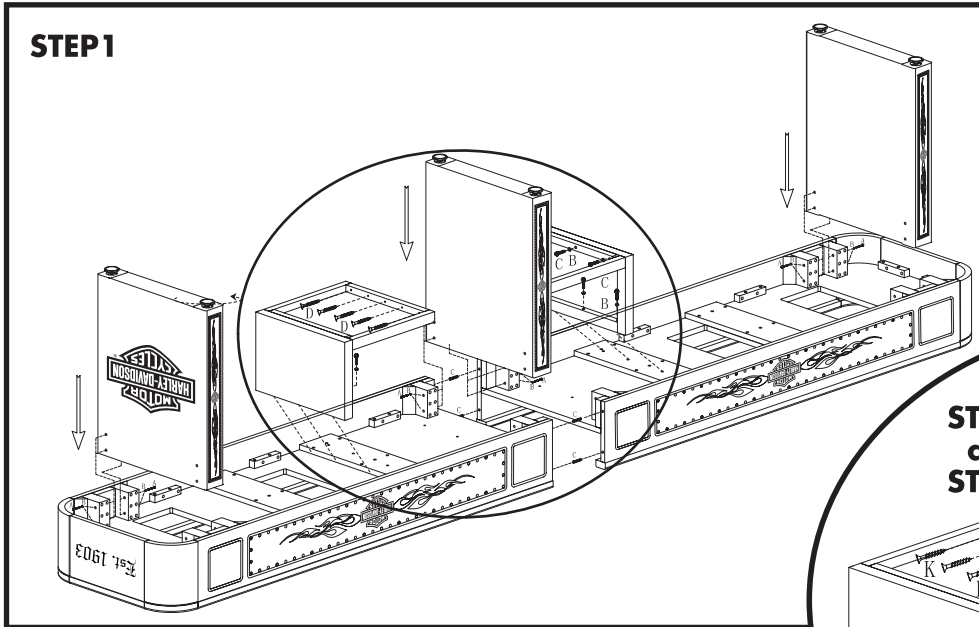
We recommend that you unbox and assemble the cabinet first, then uncrate the playfield. If you unbox the cabinet in the room where you are installing the shuffleboard, remember to remove the packaging immediately. *Injury can occur if you trip while carrying these heavy components.*

Shuffleboard Powder

You will need to purchase shuffleboard powder from a local retailer. **It is very important to apply shuffleboard powder to the playfield before you play.** Never shoot pucks down the bare surface of the playfield. Refer to the maintenance section for different types of powders or wax to use.

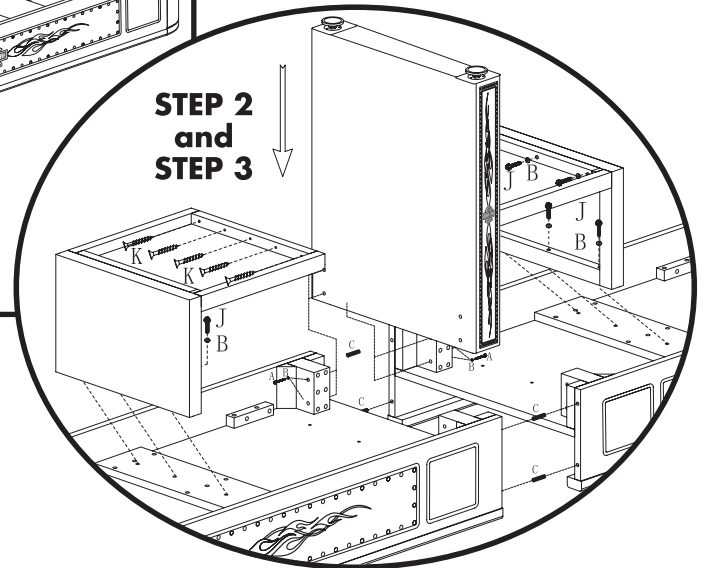
Cabinet Assembly

STEP 1



The 12 foot and 14 foot shuffleboard models have the same basic construction.

The following illustrations will show our 12 foot shuffleboard. Follow these instructions for our 14 foot shuffleboard model.



Step 1 — Attach end legs

Place the two halves of the cabinet upside down and near the final location. Attach the end legs to the cabinet with flange bolts measuring 3" in length (A) and 5/16" washers (B). Adjust the leg leveler exposing approximately 1/2" of thread between the bottom of the leg and the leveler foot.

Step 2 — Attach middle Legs

Insert 4 wood dowels (E) into the holes on each half of the cabinet. Slide the two halves together. Insert the center leg and bolt in place with flange bolts measuring 3" in length (A) and 5/16" washers (B). Attaching the center leg will assemble the two halves of the cabinet together.

Step 3 — Attach the shelves

Assemble the side and bottom of the shelf using flange bolts measuring 1-3/4" in length (C) and 5/16" washers (B). Next attach the side of the shelf to the bottom of the shuffleboard cabinet with flange bolts measuring 1-3/4" in length (C) and 5/16" washers (B). Finally attach the bottom of the shelf to the side of the center leg with wood screws measuring 1-3/4" in length (D).

Step 4 — Turn the cabinet upright

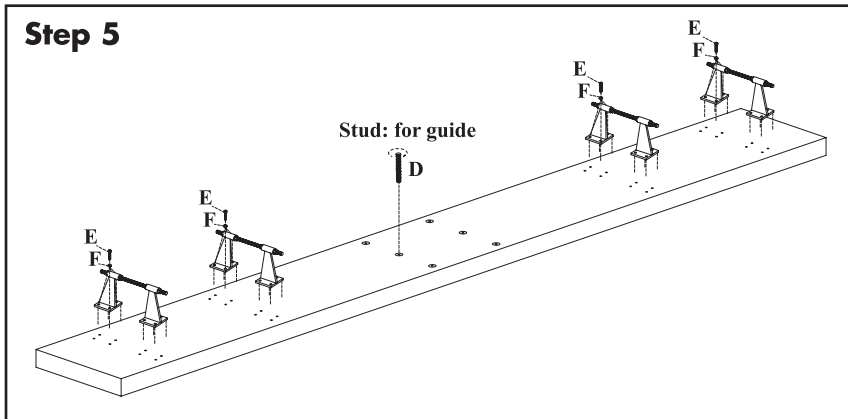
Remember that a minimum of two people are required to turn the cabinet upright. Now that the cabinet is assembled, gently turn the cabinet on its side and then rotate until it is upright and sitting on the leg leveler feet.

Parts list for 12 and 14 foot shuffleboard models

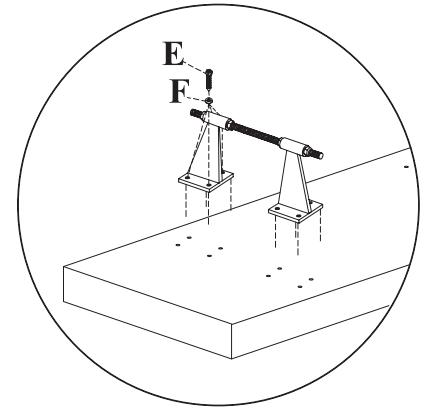
A	24		FLANG BOLT $\phi 5/16"$ x 3"	G	4		SCREW #6 x 1"
B	36		WASHER $\phi 5/16"$ x $\phi 3/4"$ x 2mm	H	6		FLANG BOLT $\phi 1/4"$ x 1-3/4"
C	4		DOWEL $\phi 10$ x 30mm	I	6		WASHER $\phi 1/4"$ x $\phi 5/8"$ x 2mm
D	1		STUD $\phi 1/4"$ x 3"	J	12		FLANG BOLT $\phi 5/16"$ x 1-3/4"
E	32		SCREW $\phi 3/8$ x 1-1/2"	K	10		SCREW #8 x 1-3/4"
F	32		WASHER $\phi 3/8"$ x $\phi 3/4"$ x 2mm				

Playfield Assembly

Step 5



The 12 foot will have 4 climate adjusters, 14 foot shuffleboard will have 6 adjusters.



Before you install the playfield, make sure that the cabinet is in its final location.

Step 5 — Attach climate adjuster

After you uncrate the playfield, place it face down on a blanket to prevent scratching the surface. Locate the climate adjusters and set them in place over the pre-drilled pilot holes. Follow the drawing above and attach the climate adjusters to the bottom of the playfield using the 3/8" x 1-1/2" lag screw (E) and 3/4" washer (F). Use a 9/16" socket and wrench to fully tighten these screws.

Insert the guide stud (D) into one of the holes shown above. The guide stud will help in positioning the playfield into the cabinet.

Step 6 — Install playfield

Use a bubble level to make sure the cabinet is level. The majority of the leveling process will take place after the playfield is installed. Checking level now will help later on with smaller adjustments.

Place two pucks at each end inside the cabinet with plastic side down. This will give you a support system to keep from hurting your fingers under the playfield as it is installed. The pucks should be approximately 8" apart and 4" from the end.

With your friends help, turn the playfield from face-down to its side and then upright resting on the climate adjusters. Now lift the playfield up and over the cabinet making sure to lift high enough that the climate adjusters do not hit the cabinet causing damage. Place the playfield in the cabinet resting on the pucks. The climate adjusters will fit through the holes in the bottom of the cabinet. Guide the playfield into position by aligning the stud guide with the corresponding hole in the bottom of the cabinet.

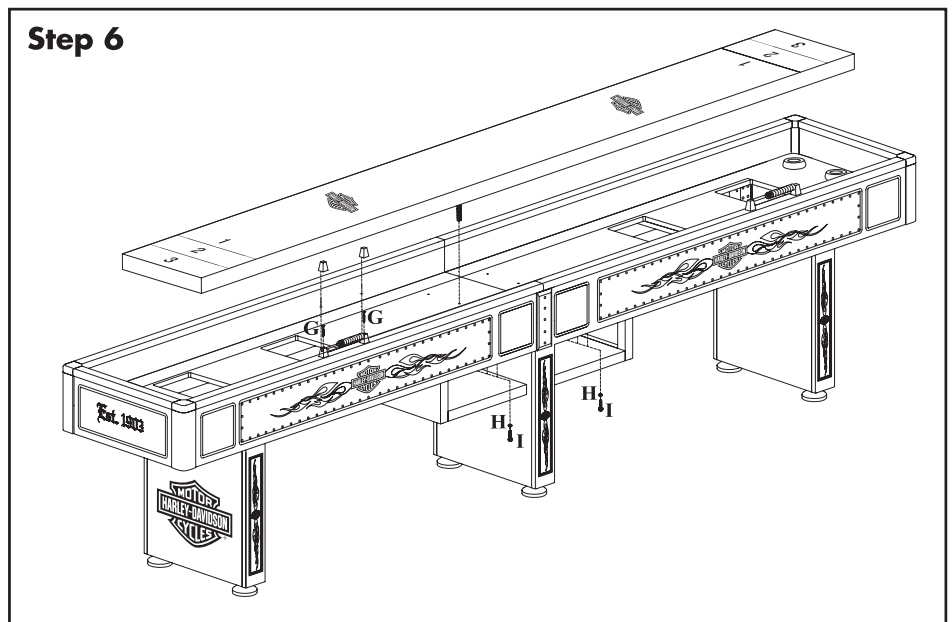
One end of the cabinet at a time, one person will lay under the cabinet and push up from below lifting the playfield by the climate adjusters. While the playfield is being held up the other person will reach under the playfield and remove the pucks. Make sure to pull the pucks toward the cabinet wall to avoid them falling through the holes for the climate adjusters and onto the person under the cabinet. The playfield should be resting on the bottom of the cabinet.

Secure the center of the playfield to the cabinet with 6 flange bolts measuring 1-3/4" in length (H) and 5/8" washers (I).

Step 7 — Attach score unit

Attach the score unit to the cabinet with the supplied 1" screw (G).

Step 6



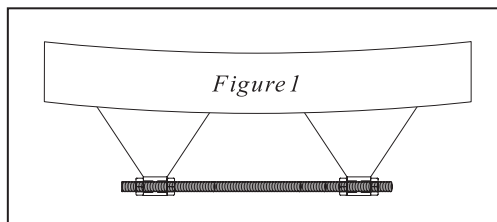
Leveling and Adjusting

The following procedure is recommended for adjusting the climate adjusters and leg leveler to level your shuffleboard table for accurate game play.

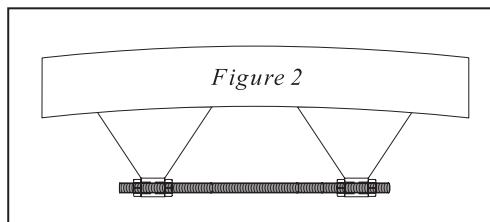
Step 8 — climate adjusters for concave playfield

Start at either end of the playfield and lay the bubble level across the playfield over the first climate adjuster. This will determine if your playfield is concave (figure 1) or convex (figure 2). You want the playfield concave or the pucks will always fall off of the playfield. If the bubble level rocks from side to side, the playfield is convex and needs to be adjusted.

Concave

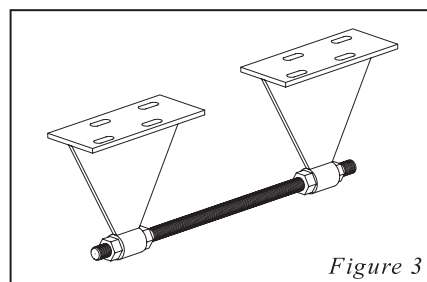


Convex



The drawings in Figure 1 and Figure 2 are exaggerated to show the difference of concave and convex. Your shuffleboard playfield should never be bent this far. It will crack the board.

Notice that the climate adjuster (figure 3) consists of two brackets with an all-thread bolt running between them and held in place by four nuts. Two nuts per bracket. To adjust, tighten the inside and outside nut of one bracket. This is to hold the all-thread bolt in place. Loosen the outside bolt on the opposite bracket until it is approximately 1/2" from the bracket. Now begin tightening the inside nut. This will start adding space between the brackets, raising the outer edge of the playfield and making it concave.



To check the amount of concavity, place the bubble level across the playfield and slide a piece of paper under it as shown in (figure 4). Continue tightening the inside bolt with 1/4 turns until the paper can slide under the bubble level at the center and not at the sides. These adjustments are very slight and cannot be seen with your eyes.

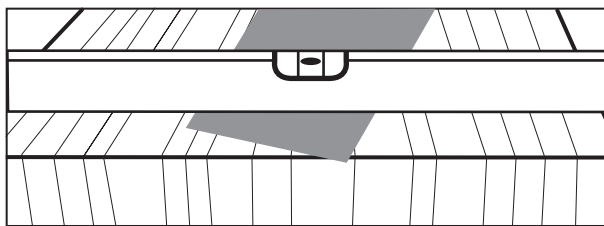


Figure 4

Continue down the playfield making the adjustments to each climate adjuster as described above.

Step 9 — leveling the cabinet

Now that the playfield is concave, it's time to level the cabinet. First clean the playfield and apply a coat of shuffleboard powder to the surface. Start from one end and begin shooting pucks to the opposite end of the playfield. Shoot several pucks down each edge. Watch the direction the pucks are drifting. If the pucks drift toward the center of the opposite scoring zone, your playfield is level at that end.

If the pucks drift toward one side, that side of the cabinet is low. To adjust, simply raise the low side by turning the leg leveler clockwise 1/2 to 1 full turn.

Repeat this step from each end until all the pucks drift toward the center of both scoring zones.

The shuffleboard table is now ready for play, enjoy.

How to Play

How to Play Shuffleboard

The object of the game is to score more points than your opponent by either knocking his pucks off or by sliding your pucks past his into a higher score zone.

A typical game (partners or singles) is played to 15 points.

Let's Begin

A coin toss determines who shoots first and who gets the hammer. The hammer is the person or team who shoots last. It is considered advantageous to have the hammer. The winner normally takes the hammer and loser picks the color of pucks he will shoot.

Player A begins by shooting one of his colored pucks. Player B shoots the other color. Players then rotate shots until all eight pucks have been shot. If a puck doesn't cross the foul line closest to the player shooting, it must be removed and the shot forfeited.

After all eight pucks have been shot, the players determine who scored by counting only the pucks closest to the end of the table and are the same color. If a player has more than one puck closer to the end of the table then his opponent may also count those pucks. Remember, only one color can score per frame. A puck must be completely inside the score zone to receive the points in that zone.

The team or player that scores in that frame must shoot first in the next frame. This process is repeated until one team or player reaches 15 points

Maintenance

To preserve the beauty of your shuffleboard, remove household dust with a soft, dampened cloth. Dust in the direction of the wood grain to prevent noticeable scratches from dust particles. For a more thorough cleaning, a solution of mild soap or oil soap for wood is recommended. Spray furniture waxes and polishes are not necessary and can cloud the furniture finish.

Wood furniture should not be exposed to extreme heat or humidity. Avoid placing your furniture near vents, radiators, fireplaces or air conditioning units. Also, to protect your finish against fading, avoid exposure to direct sunlight.

Using the provided brush, push away the powder into the gutter with a sweeping motion down the playfield. The powder can then be removed using a canister vacuum. Apply a fresh coat of shuffleboard powder. This should be done monthly with regular play.

There is a reason they are called Climate Adjusters. Throughout the year, your shuffleboard may react to temperature or humidity changes. The playfield is natural wood and will absorb moisture in humidity and expand or contract with temperature changes. When cleaning the playfield, check to ensure that the playfield is still concave. If the playfield needs adjustment, follow the steps outlined in the "leveling and adjustment" section.

If you ever need to move the shuffleboard from one location to another or to a different spot in the same room, it is advised to dismantle and reassemble in the desired location. Shuffleboards are extremely heavy and moving them assembled can crack the legs, split the cabinet or cause personal injury.

WARRANTY:

Free replacement of any part that fails within one year from date of purchase, excluding shipping costs. Void if damaged by misuse, accidents, alterations, failure to follow instructions, fire, flood, and acts of God.

If you have any questions or comments, please contact us at: **BrandedProducts.com**



Ace Product Management Group, Inc. Milwaukee, WI U.S.A. Manufactured under license from Harley-Davidson Motor Co. © 2009 All Rights Reserved.
For a dealer near you call toll free 1-800-588-2743 in the USA and Canada or use our dealer locator at www.harley-davidson.com

Ace Product Management Group, Inc.
Milwaukee, WI U.S.A.