



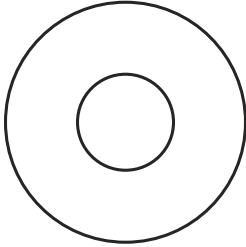
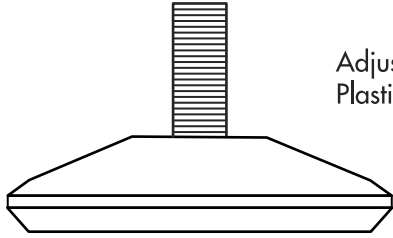
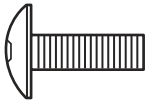
H-D® CAFÉ TABLE

Assembly Instructions

Hardware List

Actual Size

Match up hardware with diagrams shown below

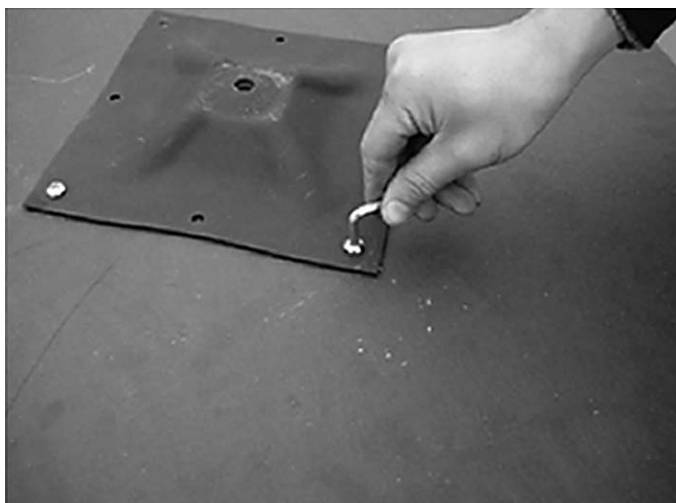
Description and Size	Qty
 <p>Large Washer</p>	1
 <p>Adjustable Plastic Feet</p>	5
 <p>Small Bolt</p>	4

Congratulations on your purchase of a Harley-Davidson® Café Table. The utmost care has gone into the design and manufacturing of this product.

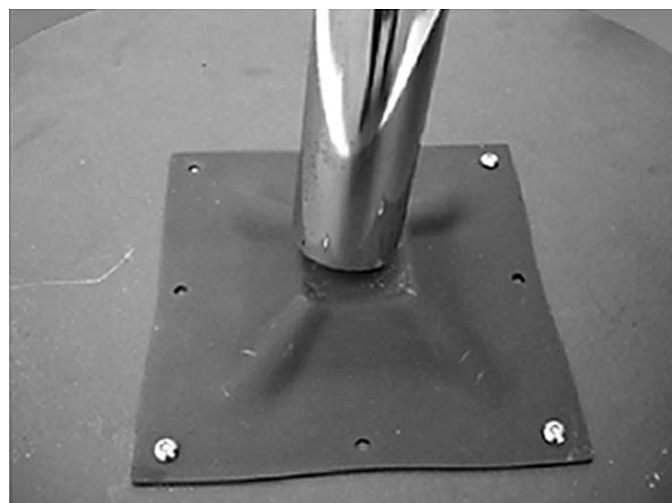
PLEASE READ THESE ASSEMBLY INSTRUCTIONS CAREFULLY.

Parts List

Qty	Description
1	Acrylic Tabletop
1	Mounting Plate
1	Chrome Plated Column
1	Long Bolt
1	Table Base
1	Allen Key
1	Wrench



Step 1: Turn table surface over. Align mounting plate with holes and secure with small bolts. Tighten all bolts securely.



Step 2: Place chrome plated column on the mounting plate.



Step 3: Place table base over end of the column as shown in picture.



Step 4: Insert long bolt through large washer and into column. Screw threaded end into mounting plate.



Step 5: Tighten long bolt securely with a wrench.



Step 6: Screw adjustable feet into the base.



Step 7: Stand table upright. Adjust table balance by tightening or loosening the adjustable feet.

Cleaning:

Please use water and a mild cleaning solution to wipe acrylic surface.

Warranty:

Free replacement of any part that fails within one year from date of purchase, excluding shipping costs. Void if damaged by misuse, accidents, alterations, failure to follow instructions, fire, flood, and acts of God.

If you have any questions or comments, please contact us at:

BrandedProducts.com



For a dealer near you call toll free 1-800-588-2743 in the USA and Canada or use our dealer locator at www.harley-davidson.com

Ace Product Management Group, Inc. Milwaukee, WI U.S.A. Manufactured under license from Harley-Davidson Motor Co. © 2009 All Rights Reserved.