

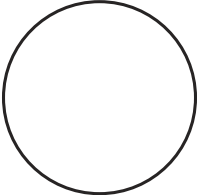
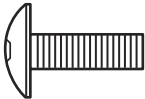
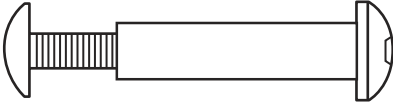


H-D® 4-LEG CAFÉ TABLE

Assembly Instructions

Congratulations on your purchase of a Harley-Davidson® 4-Leg Café Table. The utmost care has gone into the design and manufacturing of this product.

PLEASE READ THESE ASSEMBLY INSTRUCTIONS CAREFULLY.

Hardware List	
Actual Size	
<i>Match up hardware with diagrams shown below</i>	
Description and Size	Qty
 <p>Metal Disc used for adjusting the balance on stool legs</p>	6
 <p>Small Bolt</p>	12
 <p>Small Bolt with Metal Sleeve</p>	8

Parts List	
Qty	Description
1	Acrylic Tabletop
4	Chrome Plated Legs
1	Large Chrome Plated Ring
1	Small Chrome Plated Ring
2	Allen Keys



Step 1: With tabletop flipped over, secure table legs to top of table with small bolts. Tighten all bolts securely.



Step 2: Slide the small ring inside table legs. Align the holes, insert metal sleeve and secure with small bolt. Tighten all bolts securely.



Step 3: Slide the large ring inside table legs. Align the holes, insert metal sleeve and secure with small bolt. Tighten all bolts securely.



Step 4: For proper leveling of table, remove rubber cap and insert supplied metal discs, as needed.



Step 5: Double check all nuts and bolts for tightness.

Cleaning:

Please use water and a mild cleaning solution to wipe acrylic surface.

Warranty:

Free replacement of any part that fails within one year from date of purchase, excluding shipping costs. Void if damaged by misuse, accidents, alterations, failure to follow instructions, fire, flood, and acts of God.

If you have any questions or comments, please contact us at:

BrandedProducts.com



For a dealer near you call toll free 1-800-588-2743 in the USA and Canada or use our dealer locator at www.harley-davidson.com

Ace Product Management Group, Inc. Milwaukee, WI U.S.A. Manufactured under license from Harley-Davidson Motor Co. © 2009 All Rights Reserved.

Ace Product Management Group, Inc.
Milwaukee, WI U.S.A.