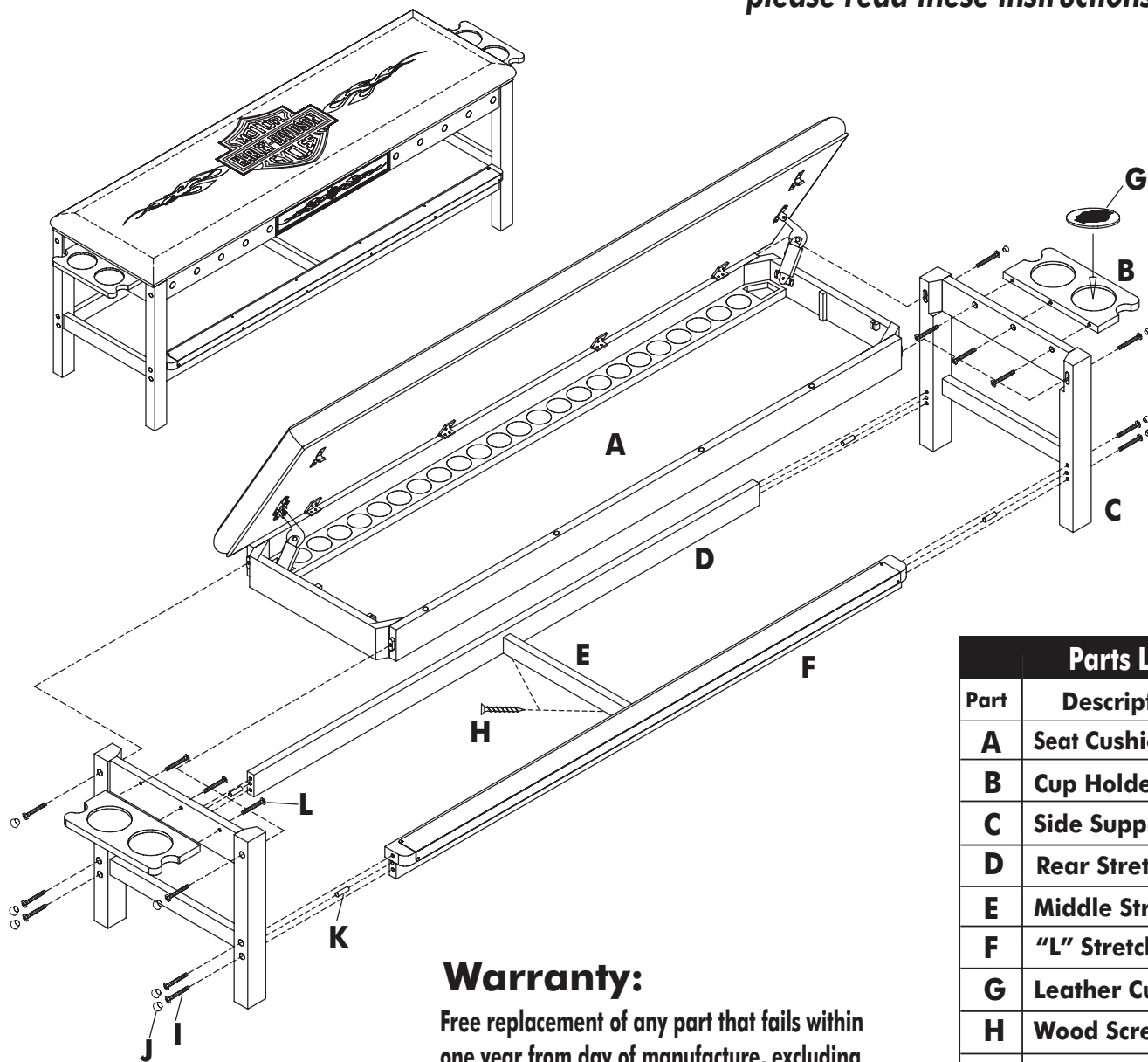




Bench Assembly Instructions

Congratulations on your purchase of a Harley-Davidson® Bench. The utmost care has gone into the design and manufacturing of this product.

please read these instructions carefully.



Parts List		
Part	Description	Qty
A	Seat Cushion	1
B	Cup Holder	2
C	Side Support	2
D	Rear Stretcher	1
E	Middle Stretcher	1
F	"L" Stretcher	1
G	Leather Cushion	4
H	Wood Screw	2
I	Bolt 1/4"x2"	12
J	Wooden Plugs	12
K	Wooden Dowels	4
L	Bolt 1/4"x1-3/4"	6

Warranty:

Free replacement of any part that fails within one year from day of manufacture, excluding shipping costs. Void if damaged by misuse, accidents, alterations, failure to follow instructions, fire, flood, and acts of God.

If you have any questions or comments, please contact us at:

BrandedProducts.com



Ace Product Management Group, Inc. Milwaukee, WI U.S.A
 Manufactured under license from Harley-Davidson Motor Co.
 © 2008 All Rights Reserved.

Ace Product Management Group, Inc.
 Milwaukee, WI U.S.A.