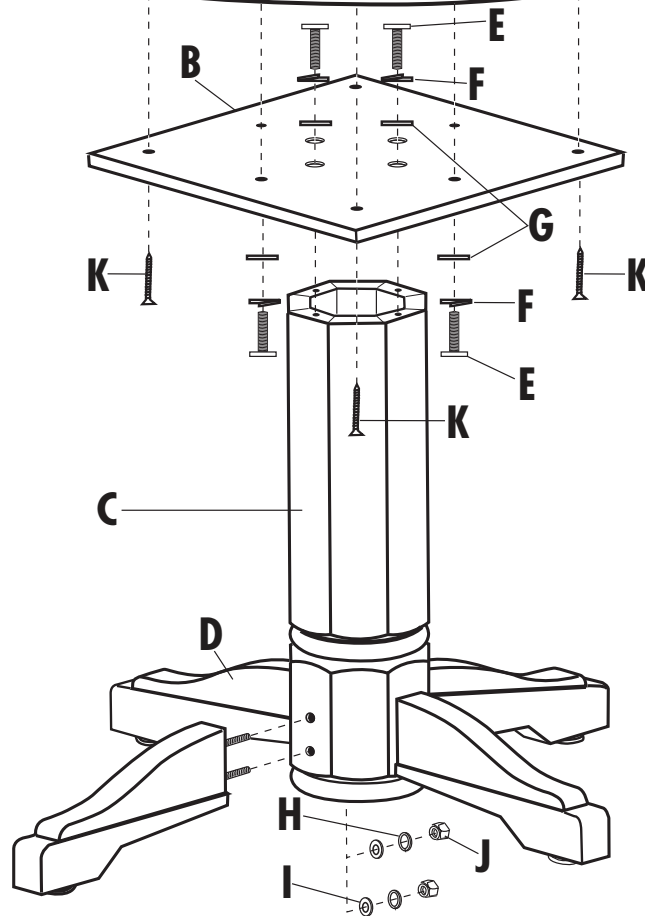
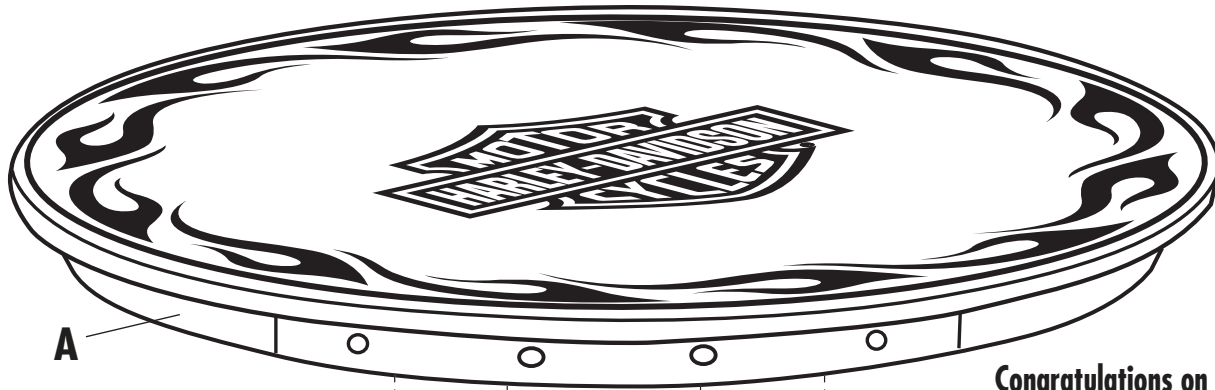




# Wood Poker Table Assembly Instructions



Congratulations on your purchase of a Harley-Davidson® Wood Poker Table.

The utmost care has gone into the design and manufacturing of this product.

*Please read these instructions carefully.*

Parts List		
Part	Description	Qty
A	Table Top	1
B	Wood Plate	1
C	Pedestal	1
D	Legs	4
E	Bolt 5/16" x 2"	8
F	Lock Washer 5/16"	8
G	Metal Washer 5/16"	8
H	Lock Washer 3/8"	8
I	Metal Washer 3/8"	8
J	Nut 3/8"	8
K	Wood Screw #8 1-1/4"	4

## Warranty:

Free replacement of any part that fails within one year from day of manufacture, excluding shipping costs. Void if damaged by misuse, accidents, alterations, failure to follow instructions, fire, flood, and acts of God.

If you have any questions or comments, please contact us at:

**BrandedProducts.com**

Ace Product Management Group, Inc.  
Milwaukee, WI U.S.A.



Ace Product Management Group, Inc. Milwaukee, WI U.S.A.  
Manufactured under license from Harley-Davidson Motor Co.  
© 2008 All Rights Reserved.