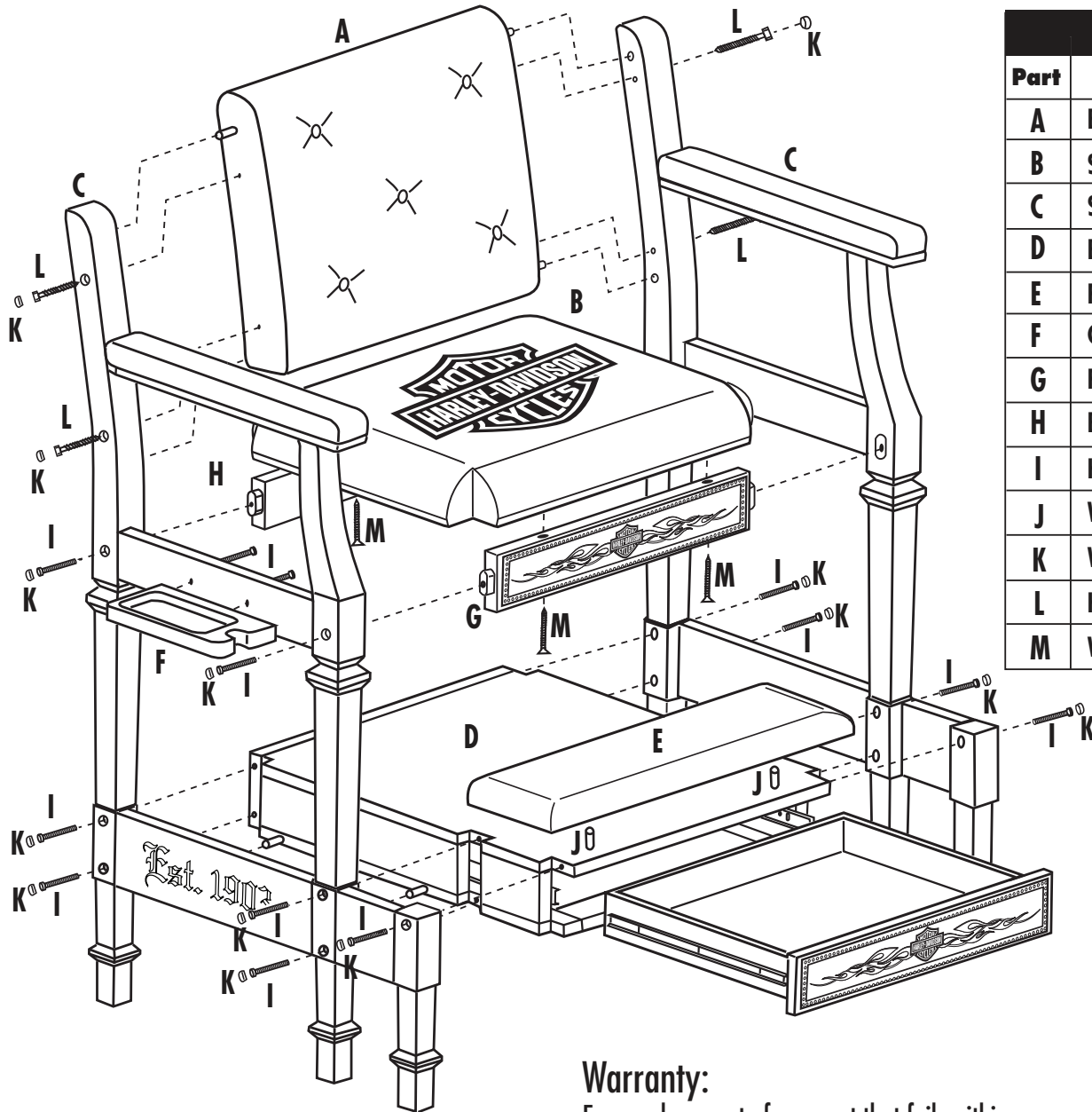


# Throne Spectator Chair Assembly Instructions

Congratulations on your purchase of a Harley-Davidson® Throne Spectator Chair. The utmost care has gone into the design and manufacturing of this product.

*Please read these instructions carefully.*



Parts List		
Part	Description	Qty
A	Backrest	1
B	Seat	1
C	Side Supports	2
D	Base Assembly	1
E	Footrest	1
F	Cup Holder	1
G	Front Panel Support	1
H	Back Panel Support	1
I	Hex Bolts 1/4" x 1-3/4"	18
J	Wooden Dowels	2
K	Wooden Plugs	18
L	Hex Screws 1/4" x 2"	4
M	Wood Screws 2"	4

## Warranty:

Free replacement of any part that fails within one year from day of manufacture, excluding shipping costs. Void if damaged by misuse, accidents, alterations, failure to follow instructions, fire, flood, and acts of God.



Ace Product Management Group, Inc. Milwaukee, WI U.S.A.  
Manufactured under license from Harley-Davidson Motor Co.  
© 2008 All Rights Reserved.

Ace Product Management Group, Inc.  
Milwaukee, WI U.S.A.

If you have any questions or comments, please contact us at:

**BrandedProducts.com**