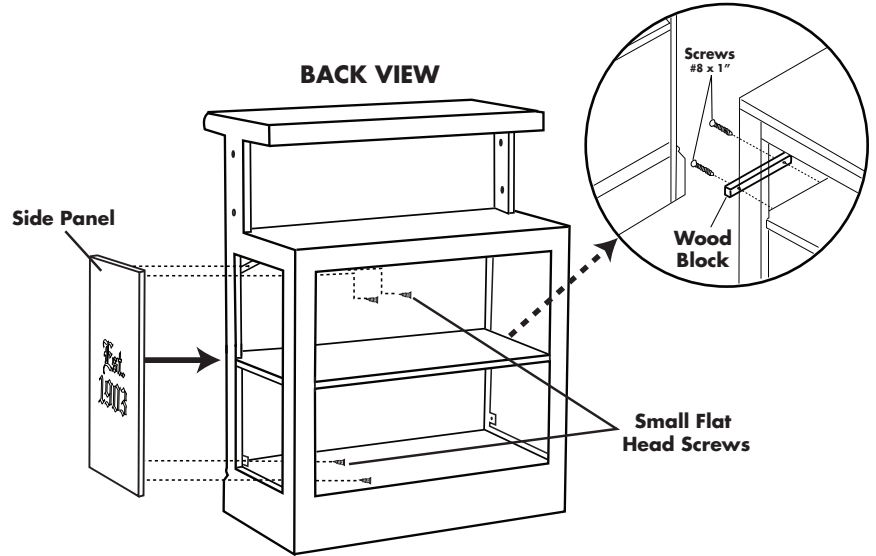
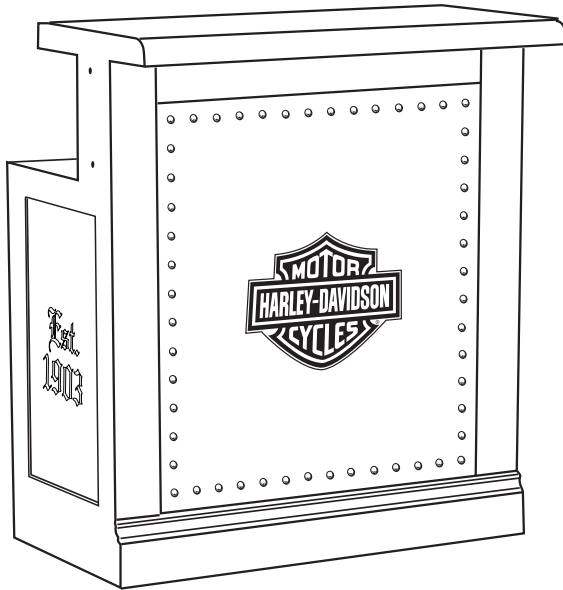


Bar Return Assembly Instructions

Congratulations on your purchase of a H-D® Bar Return. The utmost care has gone into the design and manufacturing of this product.

Please read these instructions carefully.

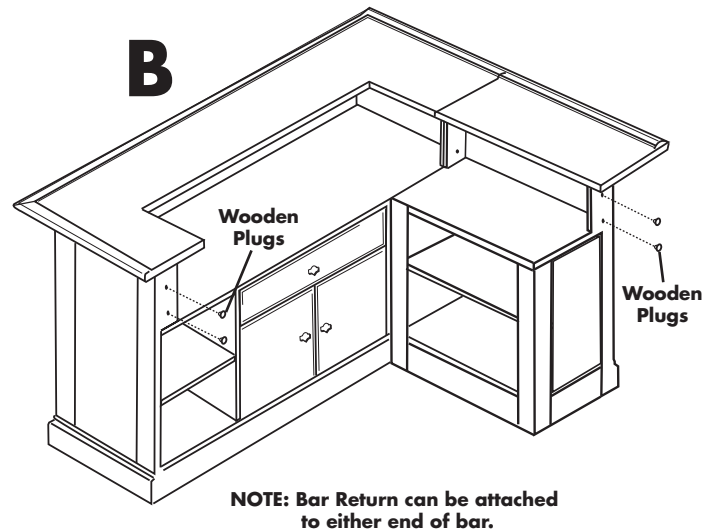
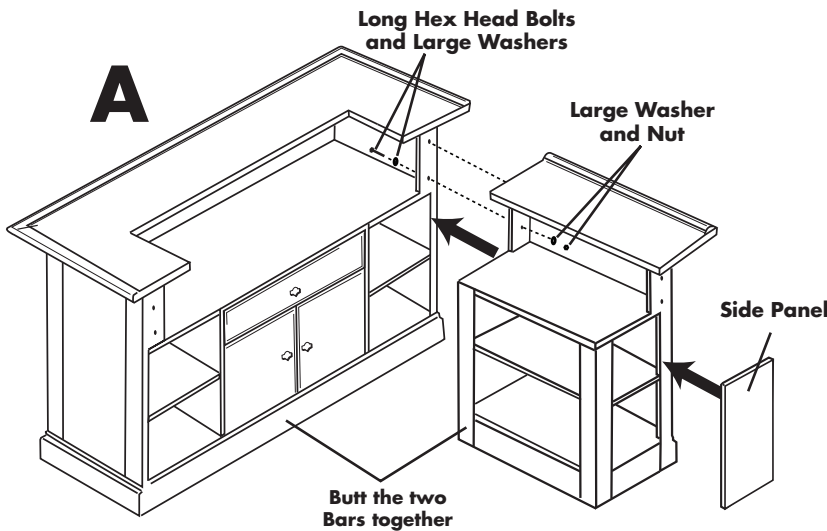


PART DESCRIPTION	QTY
Small Flat Head Screws # 6 x 1/2"	4
Long Hex Head Bolts	4
Large Washers	8
Nuts	4
Wooden Plugs	4
Screws # 8 x 1"	2

STEP 1: To close up your Bar Return, just place side panel inside frame of Bar Return.

STEP 2: Secure side panels in place using the supplied small flat head screws.

STEP 3: If attaching the Bar Return onto Bar, just butt the two together and align holes. Secure the two Bars together using the supplied long hex head bolts, large washers and nuts (See Diagram Below).



WARRANTY:

Free replacement of any part that fails within one year from day of manufacture, excluding shipping costs. Void if damaged by misuse, accidents, alterations, failure to follow instructions, fire, flood, and acts of God.

If you have any questions or comments, please contact us at: BrandedProducts.com



Ace Product Management Group, Inc. Milwaukee, WI U.S.A.
Manufactured under license from Harley-Davidson Motor Co.
© 2008 All Rights Reserved.

Ace Product Management Group, Inc.
Milwaukee, WI U.S.A.