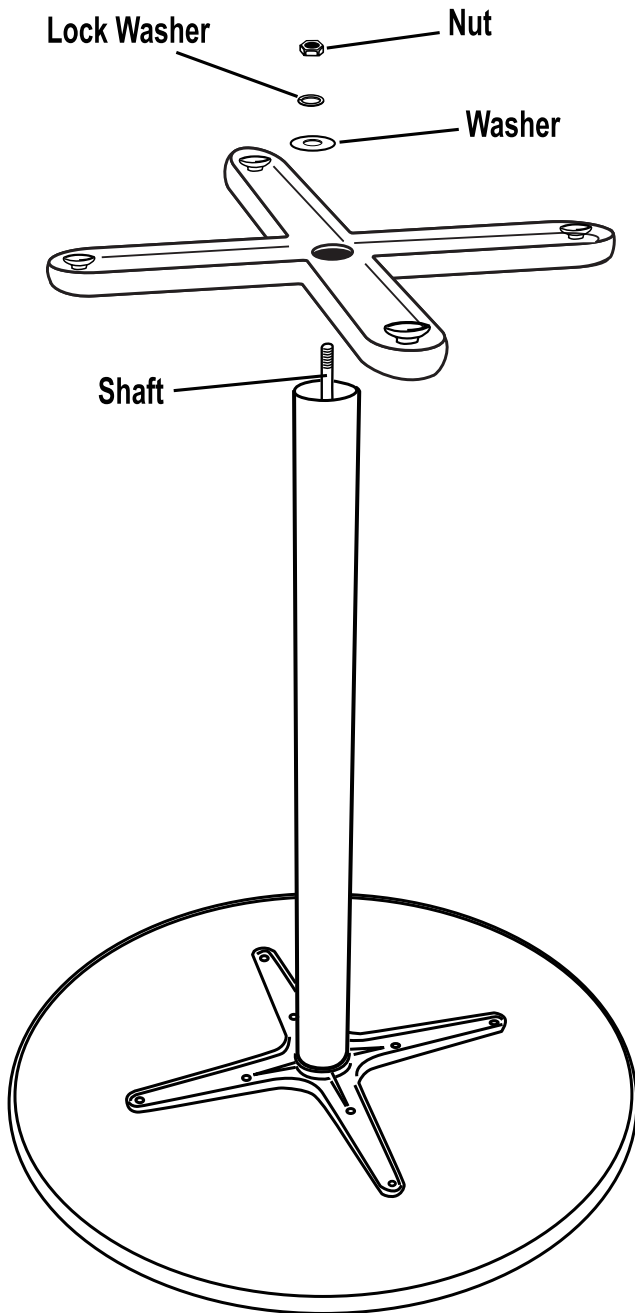


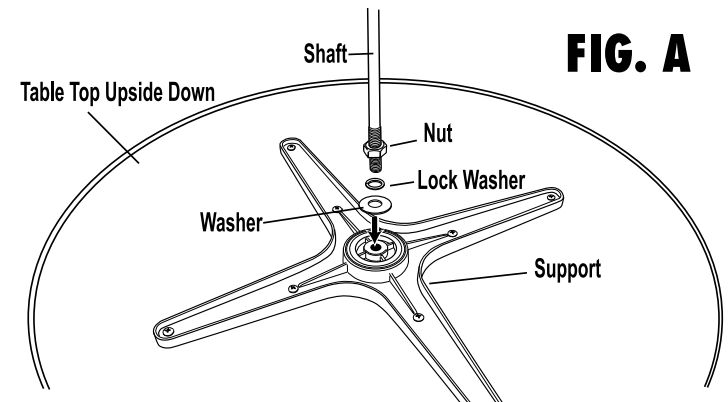


# CAFE TABLE ASSEMBLY INSTRUCTIONS

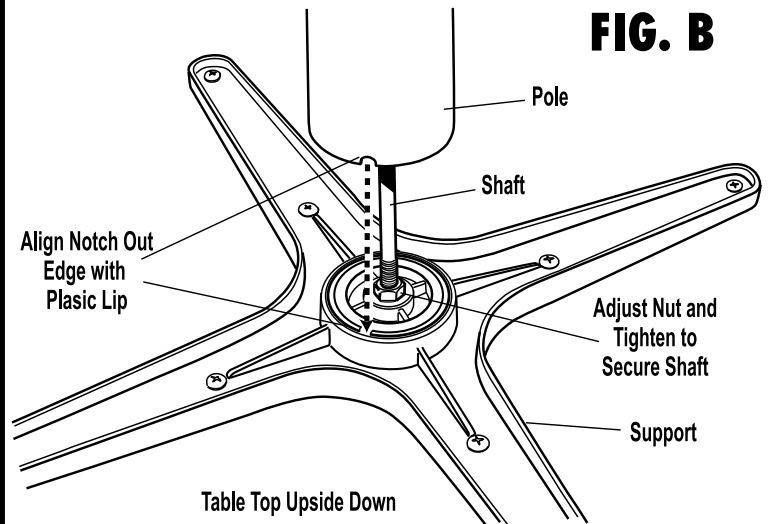
Congratulations on your purchase of a H-D® Café Table. The utmost care has gone into the design and manufacturing of this product. Please read these instructions carefully.



**STEP 1:** Set the table top upside down on a clean flat surface. Insert the threaded shaft with washer and lock washer into table. Screw the shaft in, adjust nut and tighten to secure shaft in place **See FIG A.**



**STEP 2:** Locate the notched out end of the pole, lower the notch out end of the pole over the shaft. Align the notched out area with the plastic lip in the track of the table top support, locking the table top in place. **See FIG B.**



## WARRANTY:

Free replacement of any part that fails within one year from day of manufacture, excluding shipping costs. Void if damaged by misuse, accidents, alterations, failure to follow instructions, fire, flood, and acts of God.

If you have any questions or comments, please contact us at: [BrandedProducts.com](http://BrandedProducts.com)



Ace Product Management Group, Inc. Milwaukee, WI U.S.A.  
Manufactured under license from Harley-Davidson Motor Co.  
© 2008 All Rights Reserved.

Ace Product Management Group, Inc.  
Milwaukee, WI U.S.A.