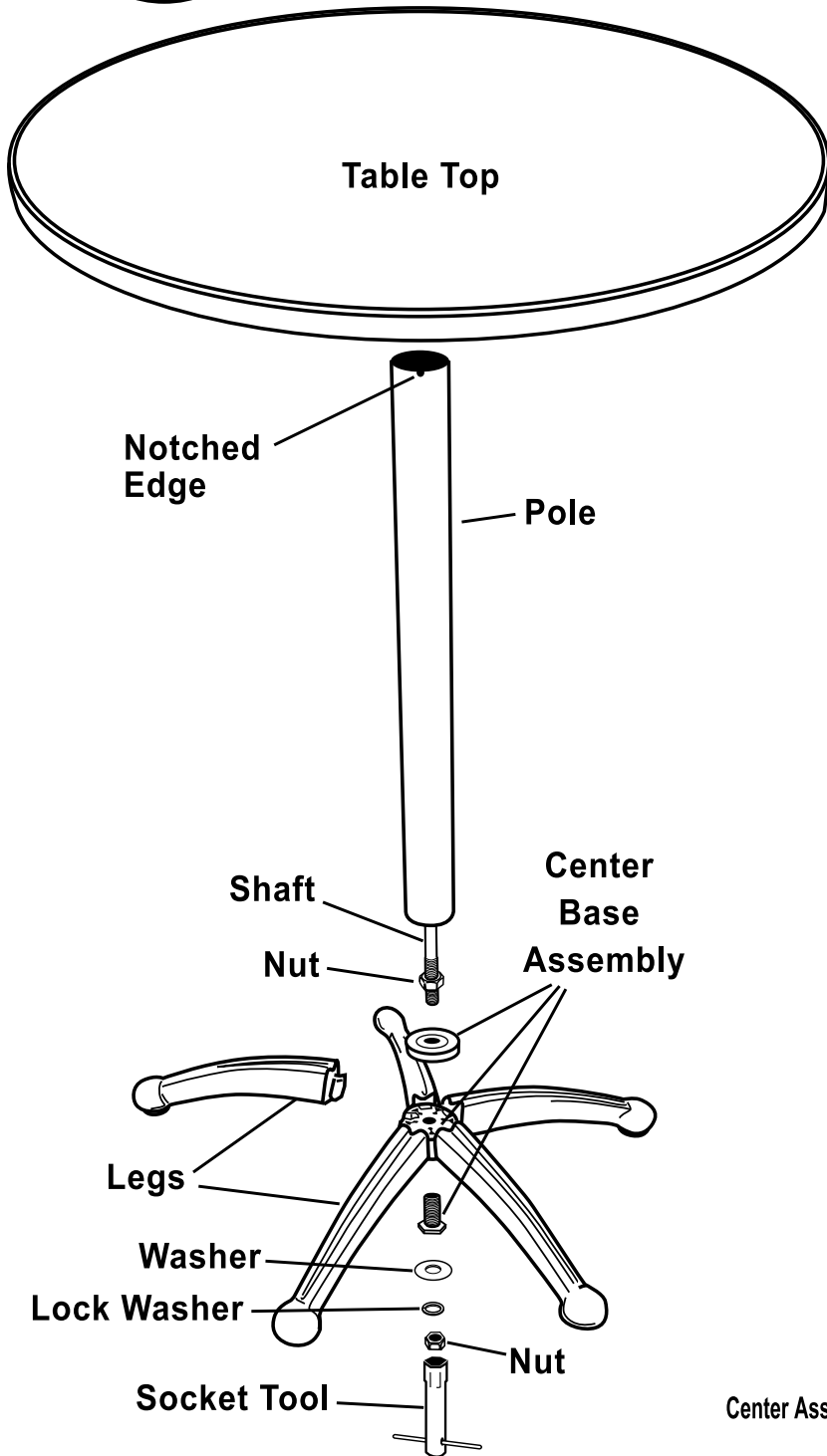




# INSTALLATION AND SERVICE INSTRUCTIONS

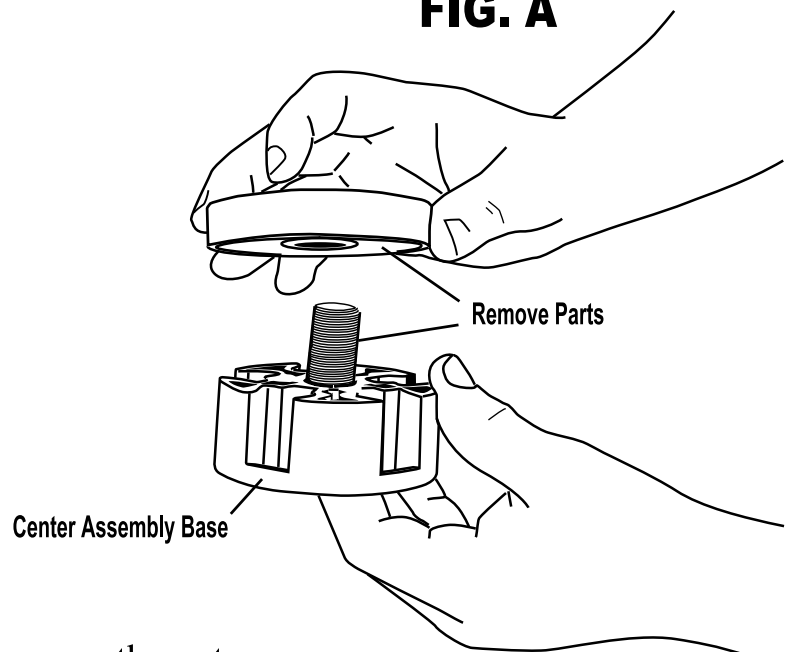
## ALUMINUM CAFE TABLE



| Qty. | PARTS LIST           |
|------|----------------------|
| 1    | Table Top            |
| 1    | Pole                 |
| 1    | Shaft                |
| 1    | Center Base Assembly |
| 5    | Legs                 |

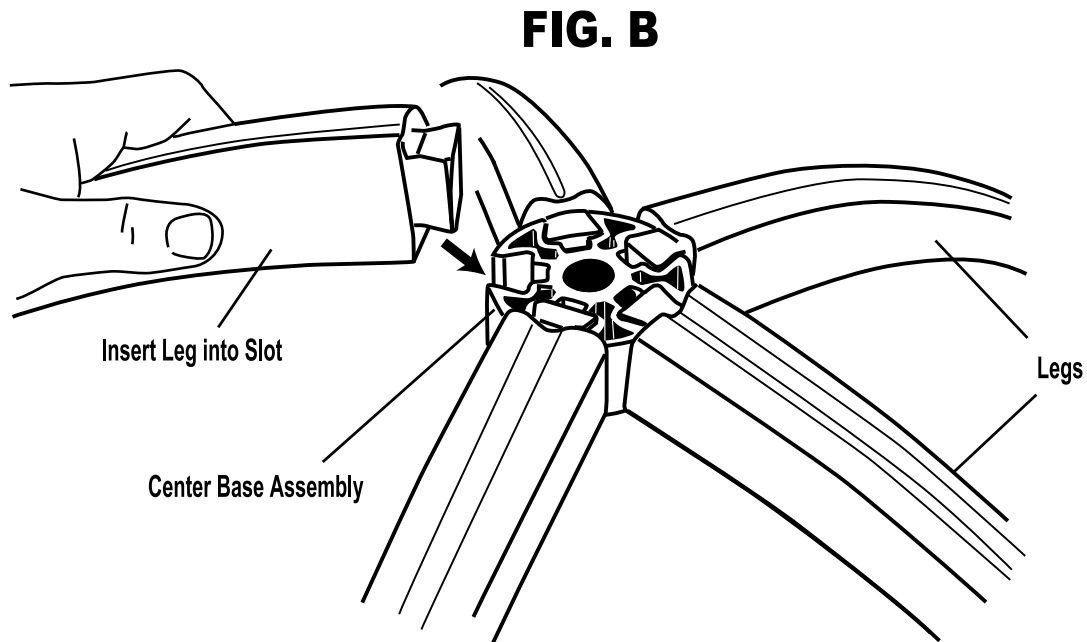
| Qty. | HARDWARE LIST |
|------|---------------|
| 2    | Washers       |
| 2    | Lock Washers  |
| 2    | Nut           |
| 1    | Socket Tool   |

**FIG. A**

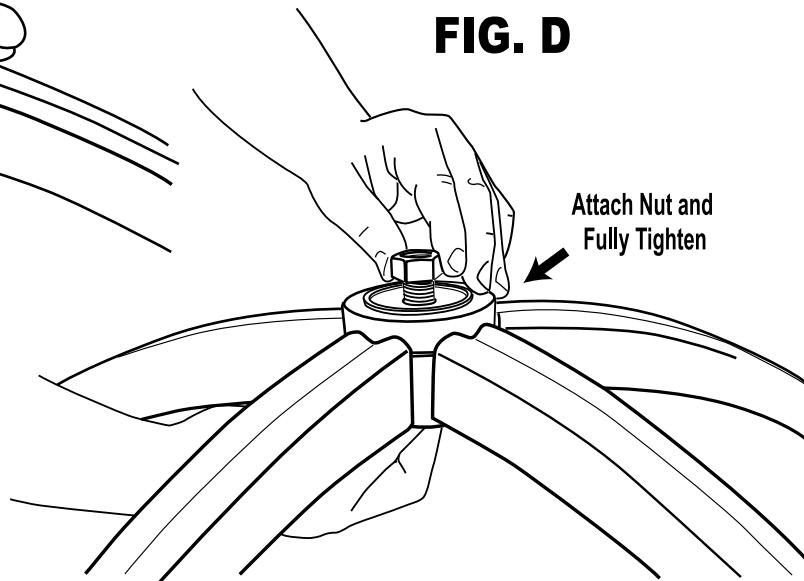
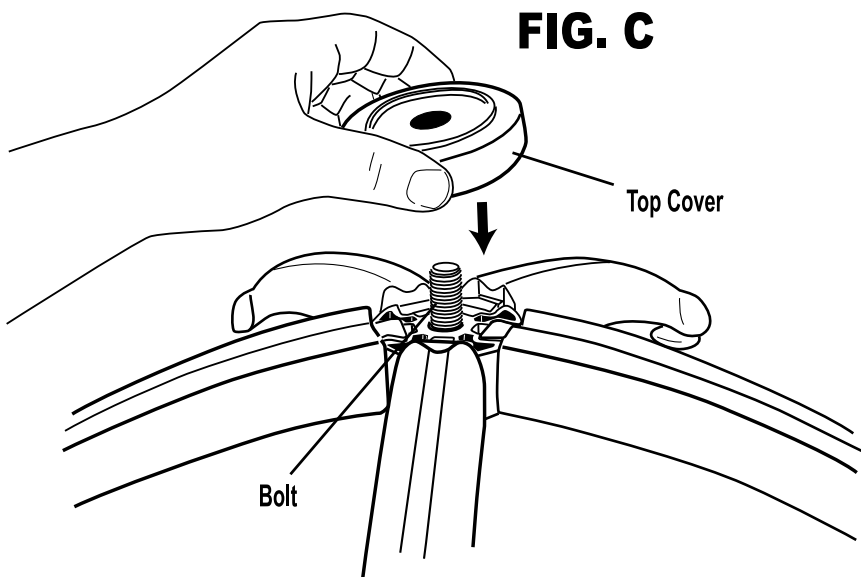


**STEP 1:** Locate the center base assembly, remove the nut, bolt and the top part. Do not discard, set them aside for future reassembly See **FIG A**.

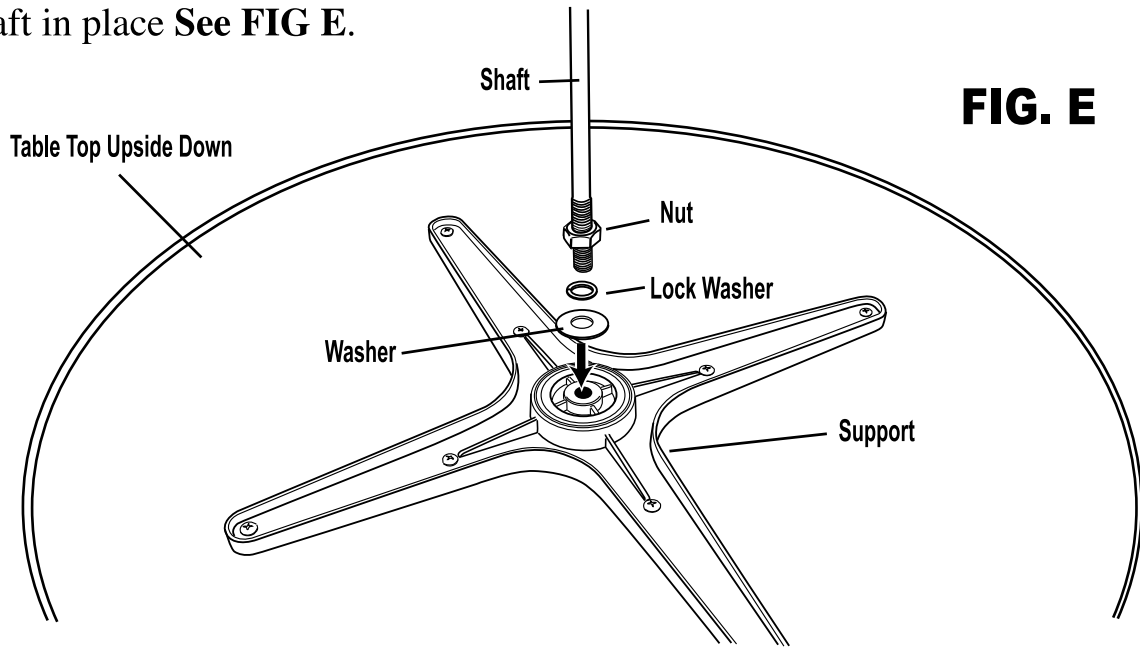
**STEP 2:** Insert each leg into the five slots of the bottom part of the center base assembly See **FIG B**.



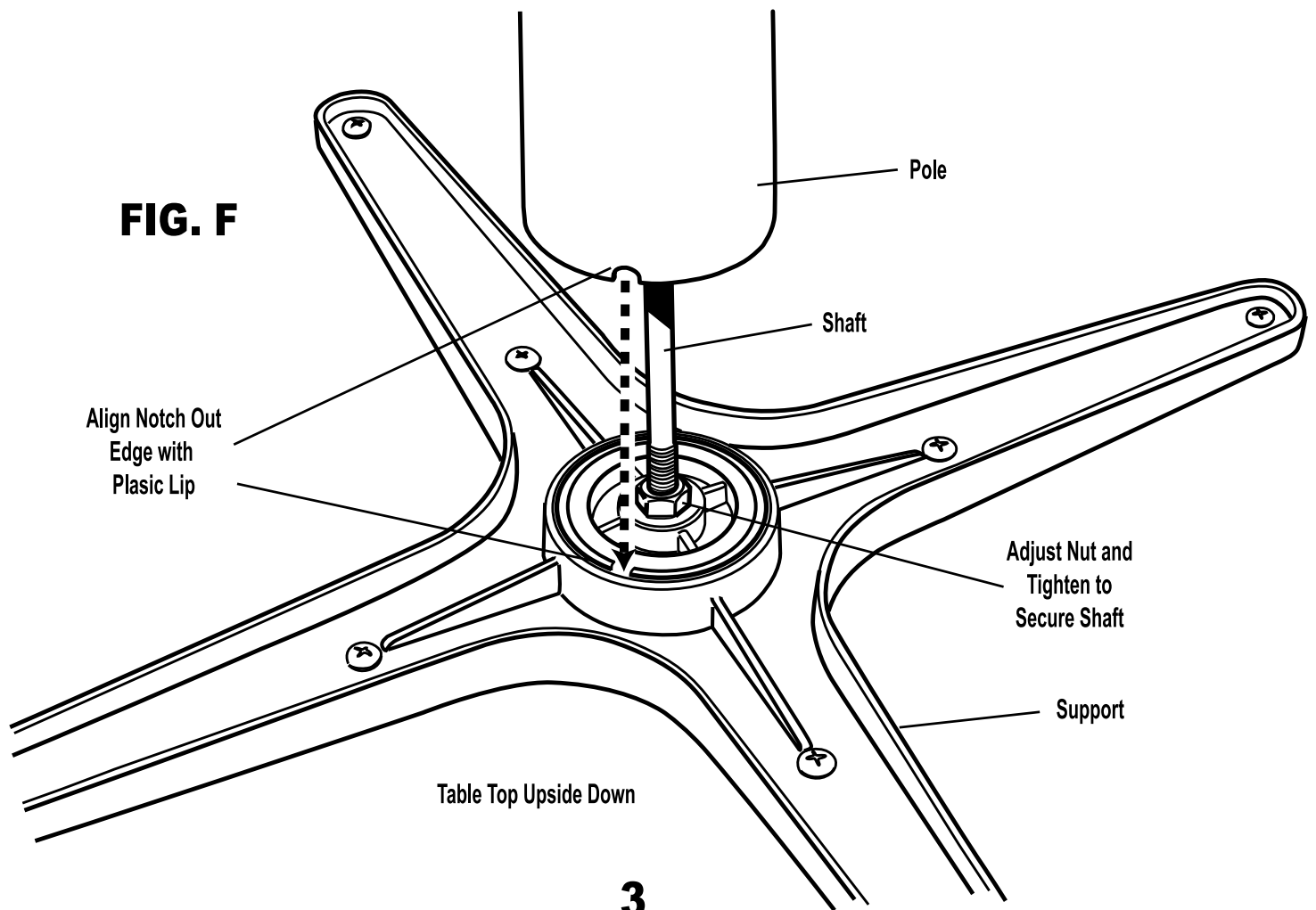
**STEP 3:** Reassemble the center base assembly with the five legs in place. Insert bolt from the bottom and place the top cover over it See **FIG C**. Attach the nut then fully tighten See **FIG D**.



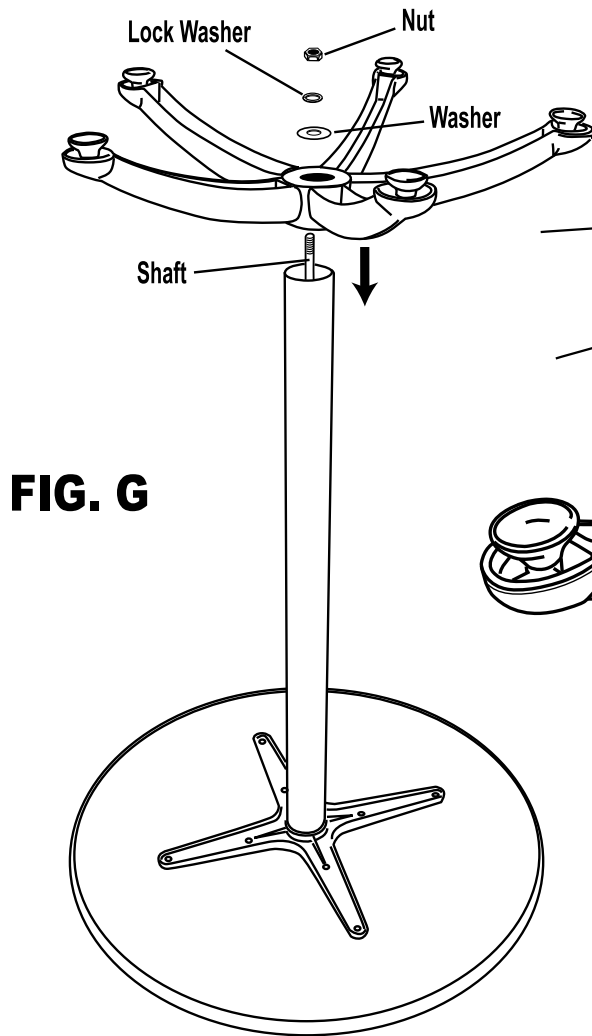
**STEP 4:** Set the table top upside down on a clean flat surface. Insert the threaded shaft with washer and lock washer into table. Screw the shaft in, adjust nut and tighten to secure shaft in place **See FIG E.**



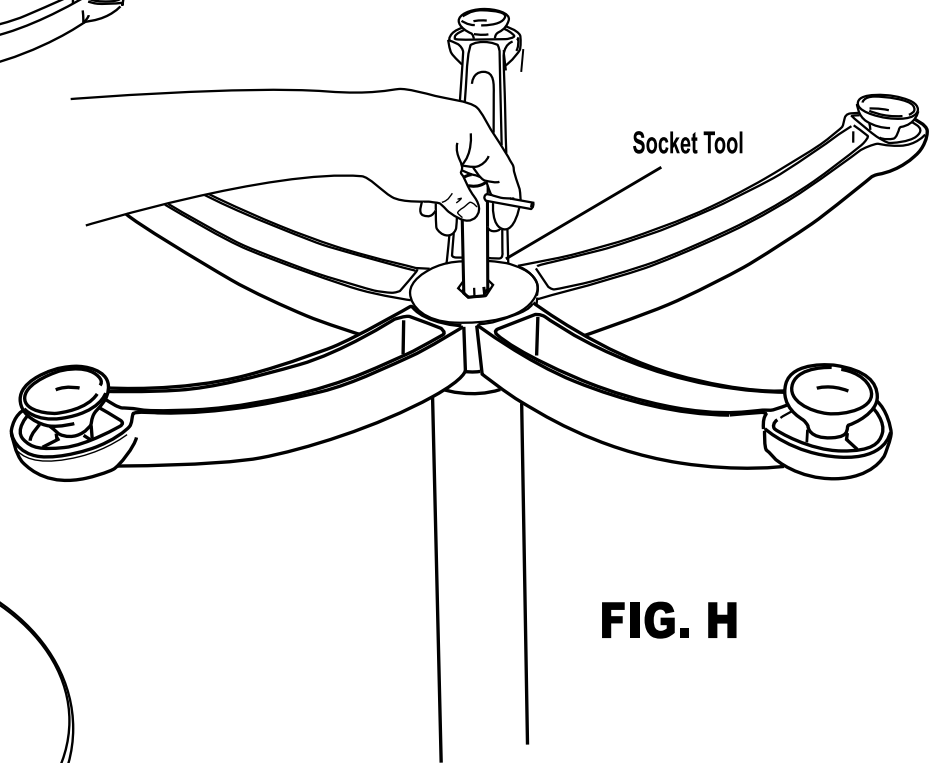
**STEP 5:** Locate the notched out end of the pole, lower the notch out end of the pole over the shaft. Align the notched out area with the plastic lip in the track of the table top support, locking the table top in place. **See FIG F.**



**STEP 6:** Set the assembled legs down onto shaft See **FIG G**. Insert washer, lock washer and nut. Use the supplied socket tool to secure the base into place See **FIG H**. Turn table right side up and enjoy!



**FIG. G**



**FIG. H**

### Maintenance:

Use a soft cloth and a non-abrasive multipurpose glass cleaner.

### Warranty:

Free replacement of any part that fails within one year from day of manufacture, excluding shipping costs. Void if damaged by misuse, accidents, alterations, failure to follow instructions, fire, flood, and acts of God. If you have any questions or comments, please contact your retailer.

**Ace Product Management Group, Inc.**  
[www.roadhousecollection.com](http://www.roadhousecollection.com)



Ace Product Management Group, Inc. Milwaukee, WI U.S.A  
Manufactured under license from Harley-Davidson Motor Co.  
© 2006 All Rights Reserved.

