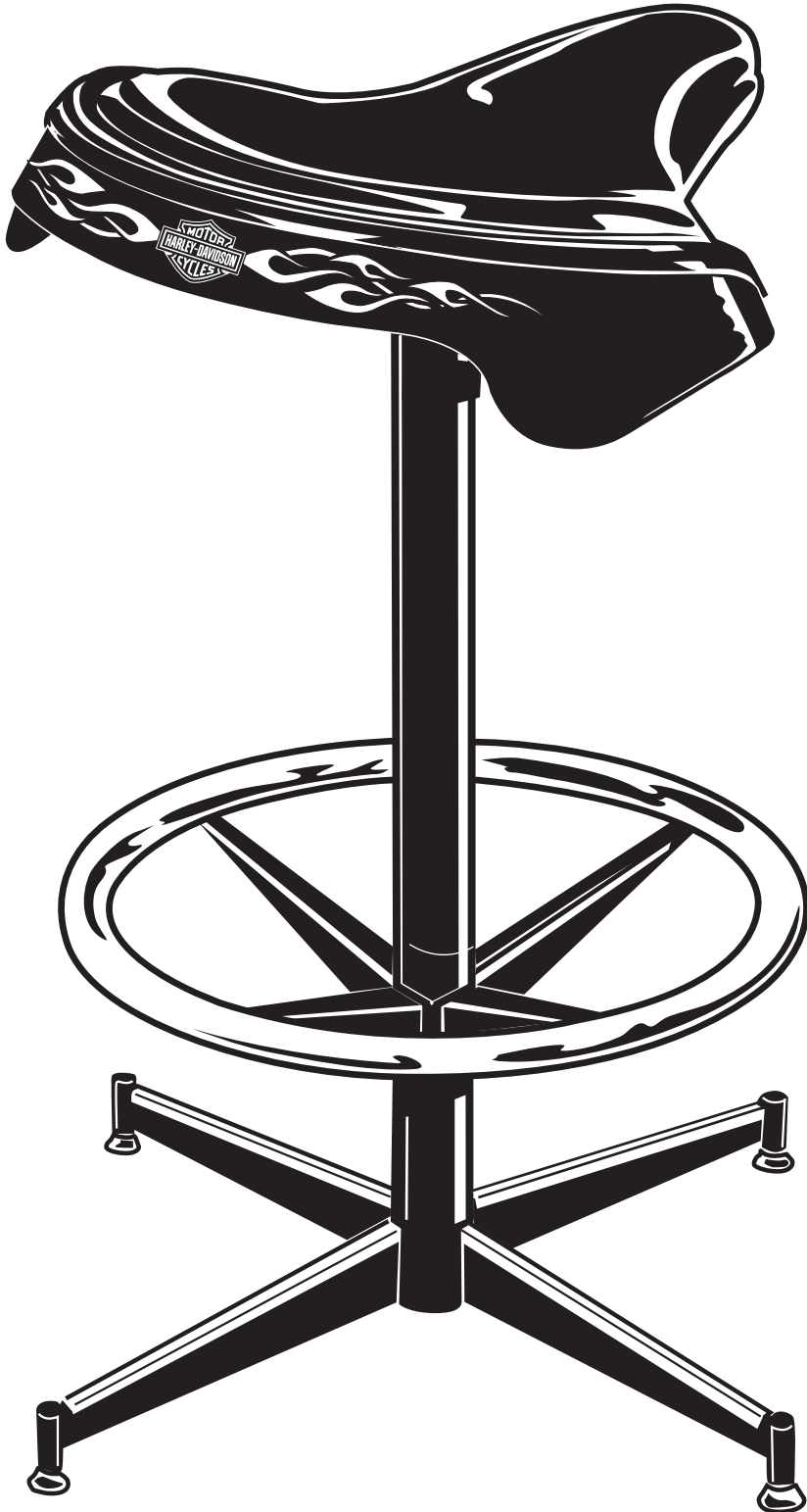


Solo Saddle Seat Bar Stool Assembly Instructions

VO2



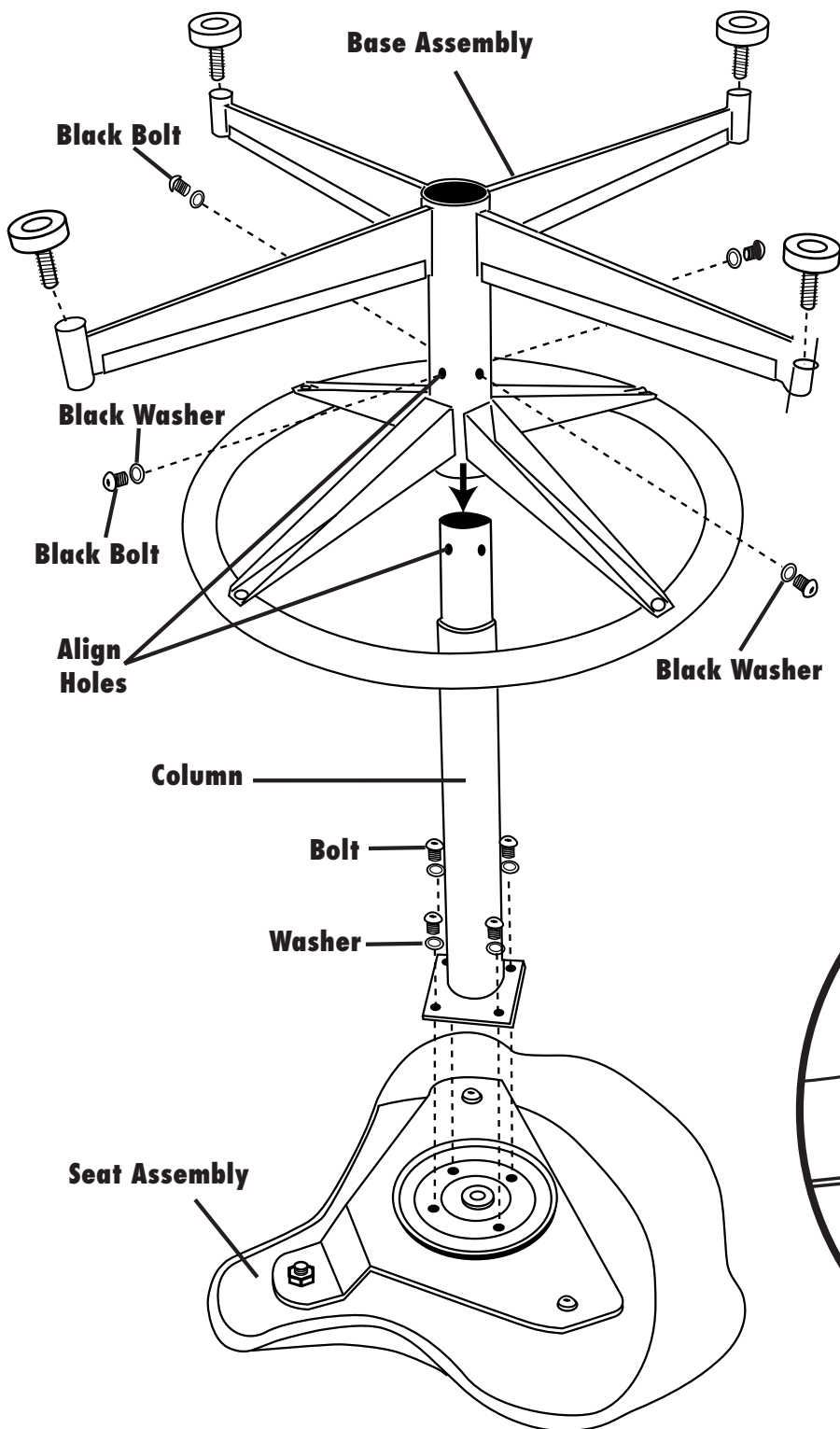
Congratulations on your purchase of a Harley-Davidson® Solo Saddle Seat Bar Stool. The utmost care has gone into the design and manufacturing of this product.

**Tool needed:
Phillips Head Screwdriver**

Please read these instructions carefully.

Parts List

Qty	Description
4	Bolts
4	Washers
4	Black Bolts
4	Black Washers
1	Solo Seat Assembly
1	Column
1	Base Assembly
4	Feet

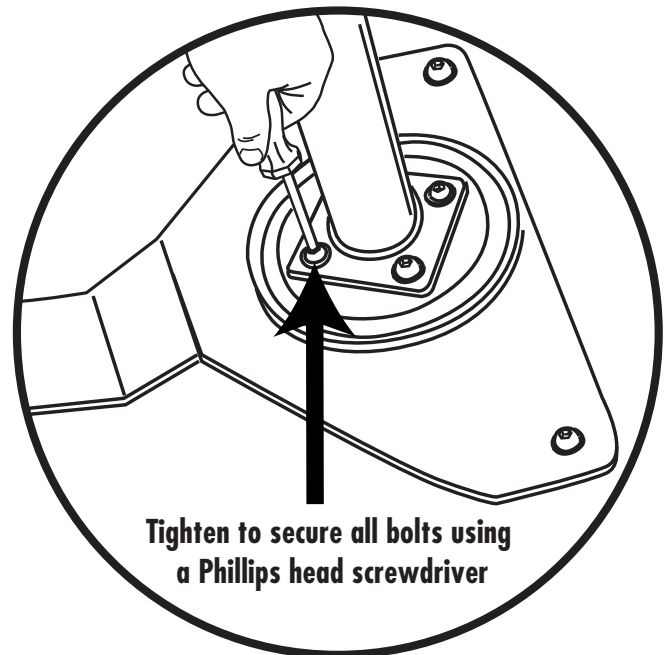


STEP 1: Insert the column into the base assembly, align the holes on both sides of the column. Then insert the (4) black bolts and (4) washers. Tighten to secure using a Phillips head screwdriver.

STEP 2: Insert (1) foot into each of the (4) legs. Twist to tighten.

STEP 3: Place the seat assembly upside down on a clean surface. Then lower the base assembly onto the swivel part of seat assembly. Align holes and insert (4) bolts and (4) washers, tighten to secure using a Phillips head screwdriver.

STEP 4: Turn your bar stool right side up sit and enjoy!



Safety:

Periodic checks are recommended to make sure that all bolts are securely tightened. Safely accommodates 250 lbs. with normal use.

Warranty:

Free replacement of any part that fails within one year from day of manufacture, excluding shipping costs. Void if damaged by misuse, accidents, alterations, failure to follow instructions, fire, flood, and acts of God.

If you have any questions or comments, please contact us at:

BrandedProducts.com

Ace Product Management Group, Inc.
Milwaukee, WI U.S.A.



Ace Product Management Group, Inc. Milwaukee, WI U.S.A.
Manufactured under license from Harley-Davidson Motor Co.
© 2008 All Rights Reserved.