



HARLEY-DAVIDSON® FOOSBALL

CAUTION: This is not a toy and is intended for use by or under the supervision of ADULTS!

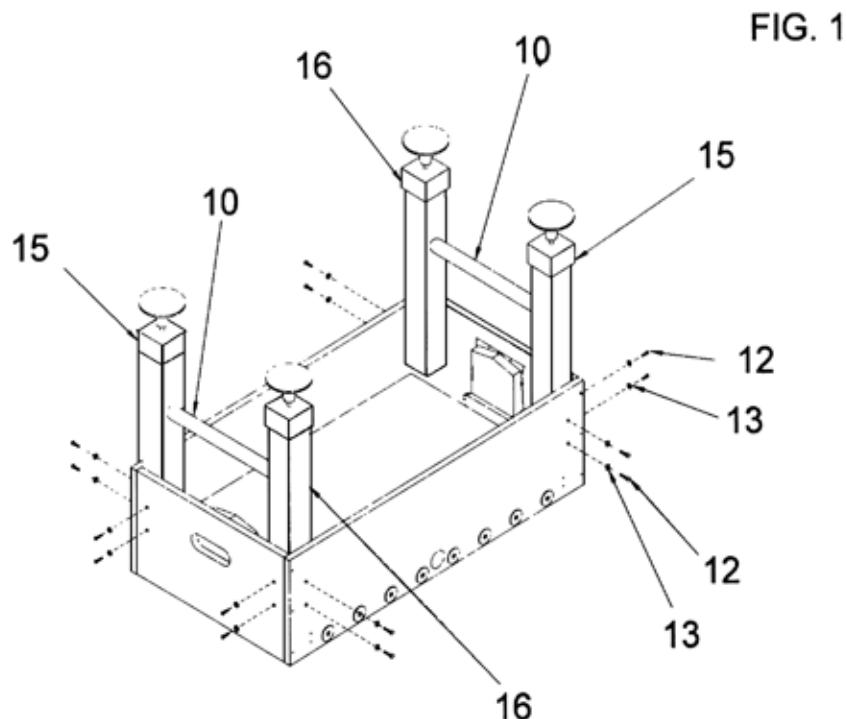
TOOLS REQUIRED: 9/16" WRENCH, PHILLIPS SCREWDRIVER AND A LEVEL.

CLEANING: CLEAN WITH MILD SOAP AND WATER USING A DAMP CLOTH.

FIGURE 1

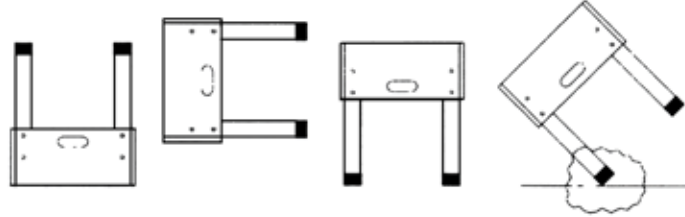
Install (2) each, **LEG ASSEMBLIES** (item #15 & 16) by using (4) **3/8-16 x 2" HEX HEAD BOLTS** (item #12), with (4) **3/8" FLAT WASHERS** (item #13). Attach one leg and tighten screws finger tight. While holding the **CHROME TUBE** (item #10) between the legs, attach the second leg finger tight. Repeat for the other end of the table. Screw the **LEG LEVELERS** into the bottom of each leg.

Two strong adults should lift the table assembly from the floor and turn it over, without putting weight on the legs, and set table on its legs in the location where you will play. At each connection assure that the top surfaces of mating pieces are flush, then tighten each screw firmly. Check to make sure all leg bolts are tightened securely.



CAUTION! SAFETY COMES FIRST! TABLE IS VERY HEAVY.

IF TABLE IS PLACED ON AN ANGLE TO THE FLOOR, TABLE MAY BECOME DAMAGED. TWO STRONG ADULTS ARE RECOMMENDED TO FLIP TABLE AS SHOWN.



**TURN TABLE OVER IN THE AIR-
DO NOT LEAN ON LEGS WHEN TURNING.**

FIGURE 2

Snap the **BALL ENTRY CUP** (item #17) into the center hole of each side of the table. Attach with (2) #6 x 3/8 Flathead Screws.

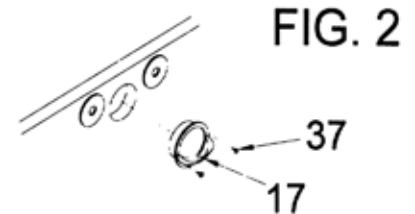


FIGURE 3

Work from one side of the table, and start with the **BLACK** or **ORANGE PLAYERS**. Notice that there are three different types of **RODS** (items #24, #25, and #26), for each team.

IMPORTANT. RODS MUST BE CLEANED PRIOR TO ASSEMBLY

Squirt a few drops of lubricant (provided) on a cloth and clean rods prior to assembly. Occasional light lubrication will make rods slide smoother. Provided oil or any household type oil will work.

Select (2) **3-MAN RODS** (item #24), (1) **2 MAN ROD** (item #25), and (1) **5 MAN ROD** (item #26). Notice that there is a hole near the end of each **ROD**. On the "hole end" of each **ROD**, place a **WOOD** or **RUBBER HANDLE** (item #27). Attach the **WOOD HANDLE** with (1) #10-32x3/4" **SCREW** (item #31) through the handle and into the rod.

ON THE PREMIUM PLAYERS THE HEXAGON OPENING IS THE "BACK" OF THE PLAYER. MAKE CERTAIN THAT ALL PLAYERS FACE THE OPPOSING GOAL

3 MAN GOALIE SETUP

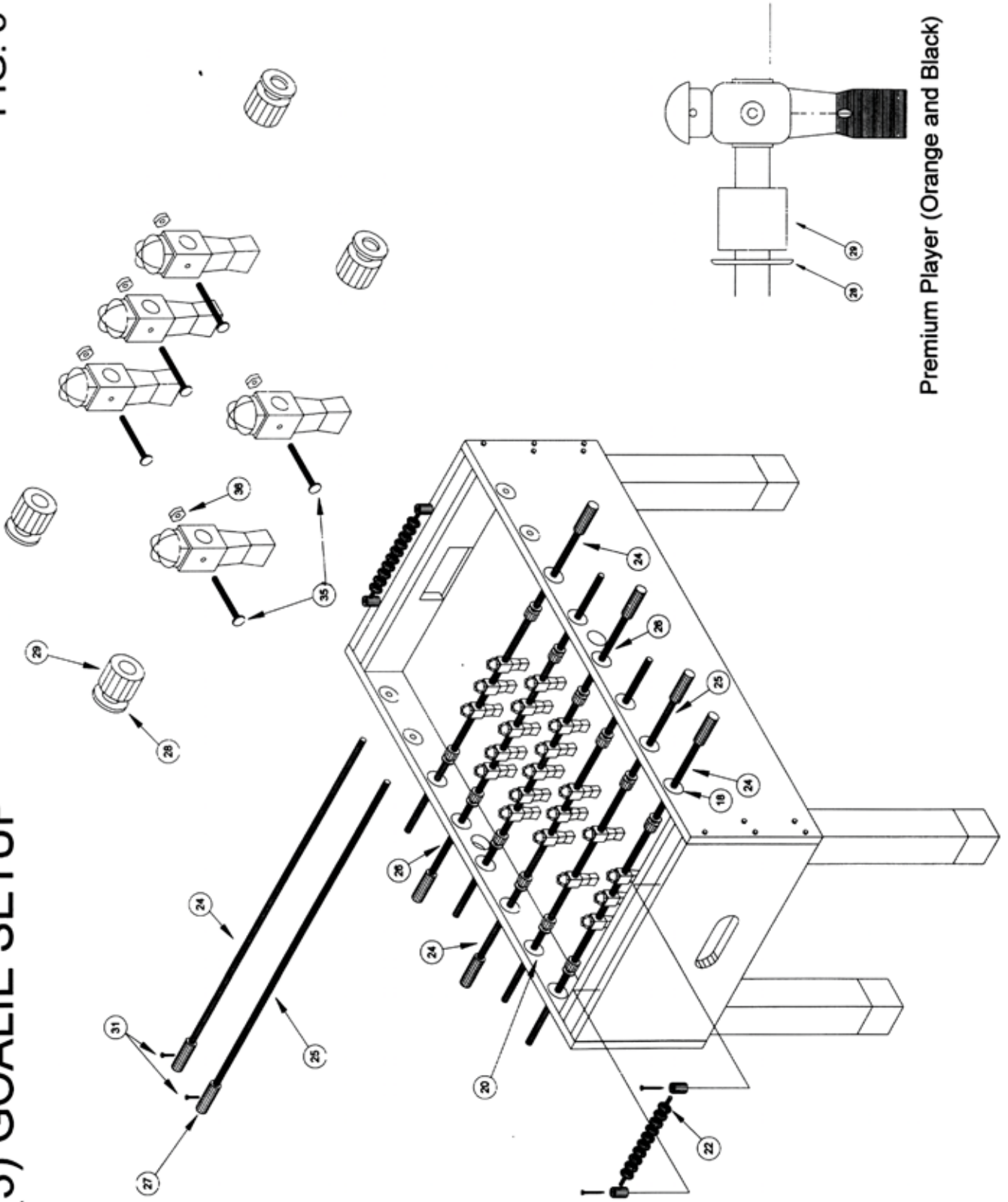
Insert one **3 MAN ROD** (item #24) into the **PLASTIC BEARING** in the far corner hole on the left side of the table. See Figure 3. Next, slide onto the **ROD**, one by one. (1) **WASHER** (item #28), (1) **RUBBER BUMPER** (item #29), (3) **TEAM PLAYERS** (item #32), (1) **RUBBER BUMPER**, and (1) **WASHER**. Insert **RODS** (item #25, #26 and #24) into the second, fourth and sixth holes respectively, counting from the far left corner. See Figure 3. Slide onto the **ROD** using the same sequence of: **WASHER**, **RUBBER BUMPER**, and appropriate number of **YELLOW (or RED) TEAM PLAYERS**. Please refer to the illustration for the correct number of players.

Assemble the **SCORER ROD** and **SCORE BEADS** (item #22), and two **SCORER END PIECES**. Center the scorer over the end board and fasten with (4) **SCREWS** to the top of end panel. No pre-drilling is necessary.

Level the game by either turning the **LEG LEVELERS** either in or out to raise or lower the corners. The table should be leveled in both directions.

FIG. 3

(3) GOALIE SETUP



Premium Player (Orange and Black)

PARTS LIST				
1	753.75.20	CABINET SIDE- HARLEY-DAVIDSON	2	
2	753.75.30	CABINET END- HARLEY-DAVIDSON	2	
4	753.75.50	GOALIE END BOARD- HARLEY-DAVIDSON	2	
6	753.75.12	PLAYING FIELD- HARLEY-DAVIDSON	1	
	05.755.10	INNER GOAL BEZEL	2	GOALIE END BOARD
	09.755.24	FLATHEAD SCREW- #6 X 3/8 LG.	4	BALL RETURN COVER TO END APRON
8	05.753.43	BALL RETURN COVER	2	END APRON
10	10.753.48	CHROME TUBE	2	
12	09.755.42	3/8 - 16 X 2" BOLT (BLACK)	16	LEG ASSEMBLY
13	09.755.41	3/8" I.D. FLAT WASHER (BLACK)	16	LEG ASSEMBLY
15	753.75.70	LEG ASSY- R.H.	2	
16	753.75.80	LEG ASSY- L.H.	2	
17	05.755.12	BALL ENTRY CUP	2	SIDE APRON
	05.753.30	INNER BEARING	16	SIDE APRON
	05.753.31	OUTER BEARING	16	SIDE APRON
22		BEAD SCORING ASSEMBLY	2	
24		3 MAN ROD- PREMIUM	4	ROD ASSEMBLY
25		2 MAN ROD- PREMIUM	2	ROD ASSEMBLY
26		5 MAN ROD- PREMIUM	2	ROD ASSEMBLY
27		WOOD HANDLE	8	ROD ASSEMBLY
28		1 1/2" DIA. WASHER	16	ROD ASSEMBLY
29		RUBBER BUMPER	16	ROD ASSEMBLY
31		SCREW- #10-32 3/4 LG.	16	ROD ASSEMBLY
32		ORANGE PREMIUM TEAM PLAYER	13	ROD ASSEMBLY
		BLACK PREMIUM TEAM PLAYER	13	ROD ASSEMBLY
34		ROD END CAP	8	ROD ASSEMBLY
35		SCREW- #8-32 X 1 1/4 LG.	26	ROD ASSEMBLY
36		NYLOC NUT- #8-32	26	ROD ASSEMBLY
37		SCREW- #6 X 3/8 LG. FLATHEAD	4	BALL ENTRY CUP

Ace Product Management Group, Inc.
12801 W. Silver Spring Road
Butler, WI 53007
Tel: 262-754-8490
Fax: 262-754-8494

**FOR SPARE PARTS OR
ASSEMBLY QUESTIONS PLEASE
DO NOT CONTACT THE STORE.**

**PLEASE CONTACT OUR
CUSTOMER SERVICE DEPARTMENT
FOR PROMPT SERVICE!
1-800-294-9007
BrandedProducts.com**