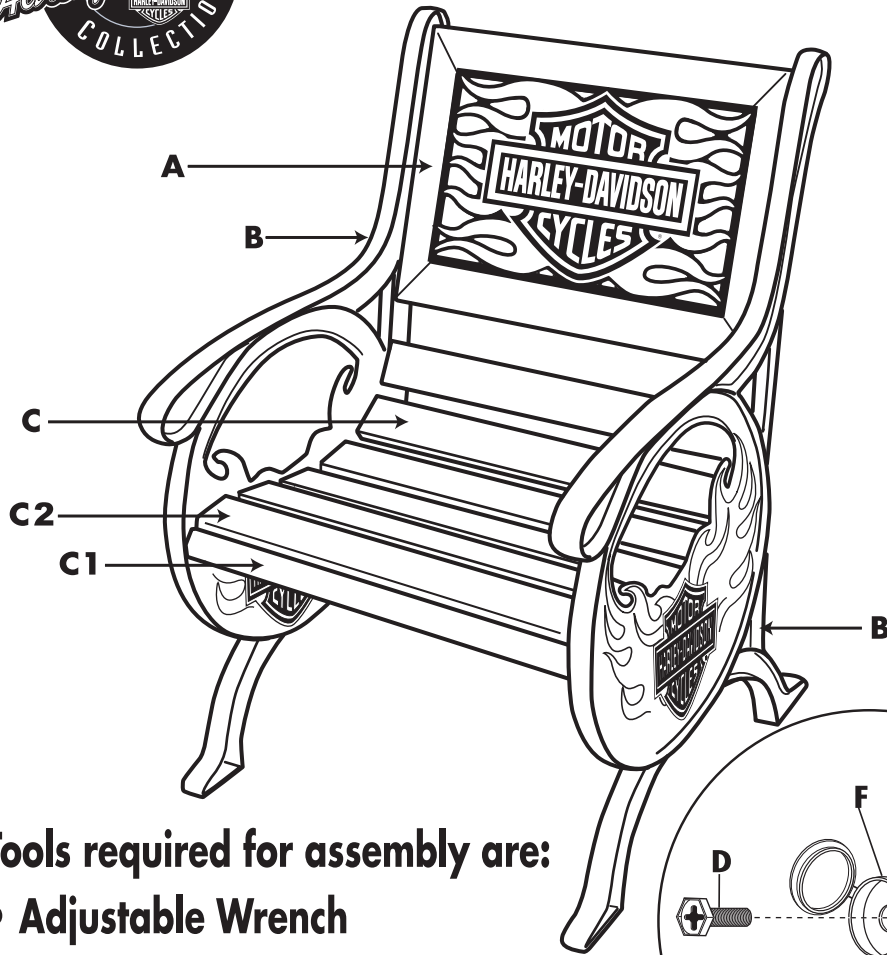




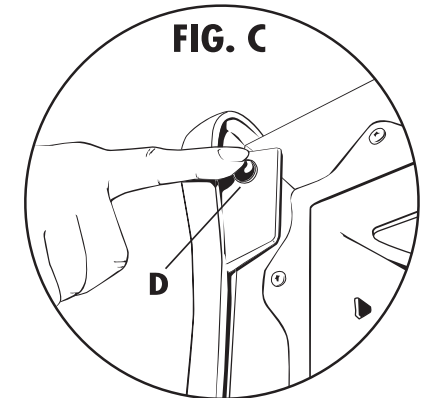
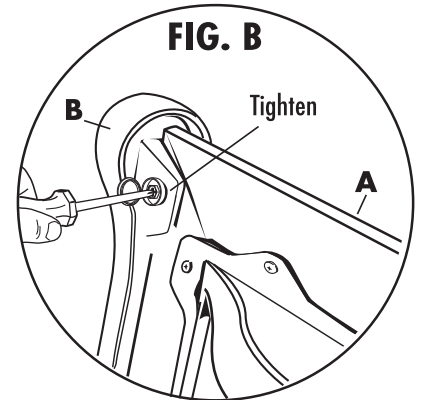
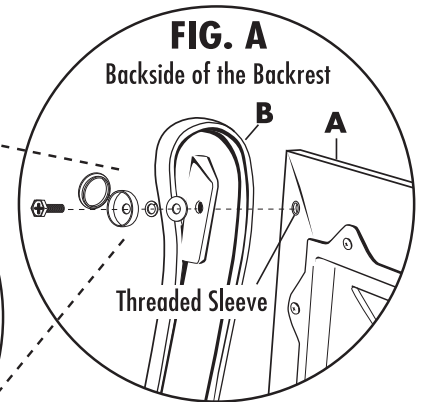
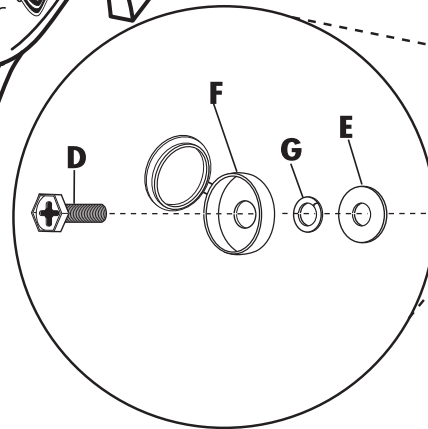
# Outdoor Chair Assembly Instructions



KEY NO.	PART DESCRIPTION	QTY.
A	Backrest	1
B	Armrest	2
C	Wood Slat	5
C1	Small Curve Wood Slat	1
C2	Curve Wood Slat	1
D	Hex Head Bolt	18
E	Flat Washer	18
F	Plastic Cap	8
G	Lock Washer	18

**Tools required for assembly are:**

- Adjustable Wrench
- Phillips Head Screwdriver



## Backrest and Armrest Assembly Instructions:

**STEP 1:** Place all parts on an even soft and smooth clean surface.

**STEP 2:** Take one Armrest (B) and Backrest (A) and locate all your tools within reach. Position the Armrest (B) upright in between your legs (for support), and lift the corresponding side of the Backrest (A) on diagonal to the Armrest (B).

**STEP 3:** Align Hex Head Bolt (D), Backrest (A) with holes on the tabs of Armrest (B). Attach Plastic Cap (F), Lock Washer (G), and Flat Washer (E) to Hex Head Bolt (D) See FIG. A&B. Repeat this step for both sides.

**STEP 4:** Press the Plastic Cap (F) shut. See FIG. C.

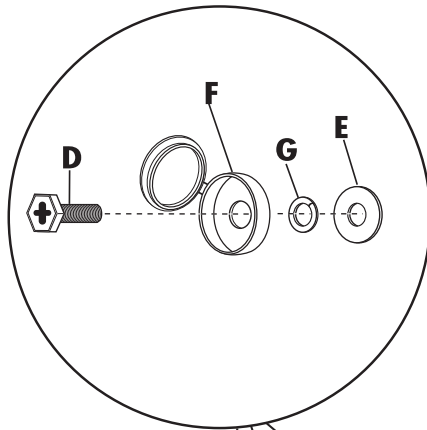
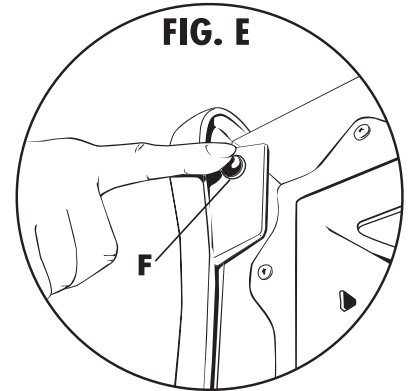
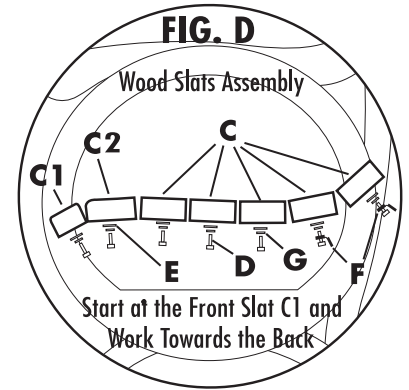
## Seat Assembly Instructions:

**STEP 5:** Locate Wood Slat C1 (narrow slat with rounded edge). Position the slat C1 at the front of the bench with the rounded edge forward. Place slat C1 on the track inside the armrests. See FIG. D. Secure with a Lock Washer (G), Flat Washer (E), and Hex Head Bolt (D). Do not fully tighten. Locate Wood Slat C2 (round edge facing forward). Position the slat C2 behind slat C1. See FIG. D.

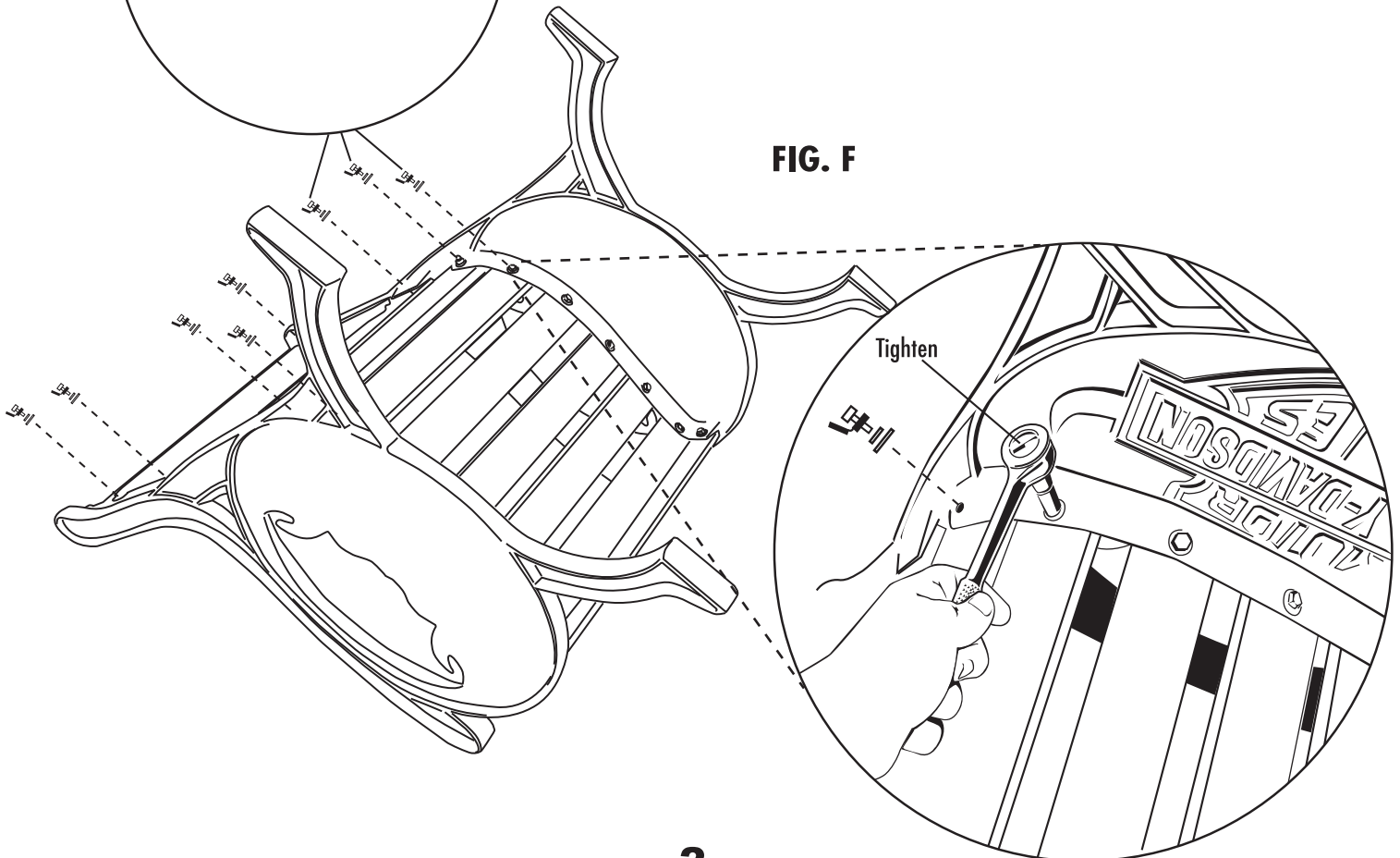
**STEP 7:** Put each wood slat (C) on inside tracks of armrest (B), then secure with Lock Washers (G), Flat Washer (E), and Hex Head Bolt (D). Do not tighten until all slats/washers/bolts are in place, adjust spaces between slats for even spacing and then tighten Hex Head Bolt (D) evenly. See FIG. F.

**STEP 8:** Press the Plastic Cap (F) shut. See FIG. E.

**STEP 9:** Put chair in upright position, sit & enjoy!



8 Plastic caps (F) provided are to cover the exposed bolts on backsrest and two wood slats closest to the backrest



# Component Maintenance

## For Iron Components:

The iron components for outdoor furniture are coated with rust inhibiting paint that protects it from rusting. However, due to the nature of iron, surface oxidation (rusting) will occur once these protective coatings are scratched. This is a natural process and is not a defect! To minimize this condition, we recommend care when assembling and handling the product to prevent scratching the paint. Should any scratching or damage occur, we recommend immediate touch-up with rust inhibiting paint, which is readily available from any hardware store. Surface rust can also be easily removed with a very light application of common cooking oil. If surface oxidation (rusting) occurs and if no measure is taken to prevent this, the oxidation may start dripping on deck or patio and cause damaging stains, which may be difficult to remove. This can be prevented if measures are taken to keep the product from oxidizing.

## For Wood Components:

The wood slats are covered with a clear protective coating that may show signs of light peeling which is normal and can be sanded off. Periodic application of wood preservative or water sealer is recommended to keep your wood slats looking new and to prevent weathering. Constant exposure to sunlight and outdoor elements will cause rapid deterioration of any wood finish. Frequent application of wood preservative may be necessary.

## Warranty:

Free replacement of any part that fails within one year from day of manufacture, excluding shipping costs. Void if damaged by misuse, accidents, alterations, failure to follow instructions, fire, flood, and acts of God.

If you have any questions or comments, please contact us at:

**BrandedProducts.com**



Ace Product Management Group, Inc. Milwaukee, WI U.S.A  
Manufactured under license from Harley-Davidson Motor Co.  
© 2006 All Rights Reserved.

