



HOME HOBBIES AWARD

PROJECT: WOODWORKING

GOALS

- A. WOODWORKING SAFETY:** Identify 6 basic tools and safety for each tool
 - B. WOODWORKING CHALLENGE:** Complete one of the three projects.
-

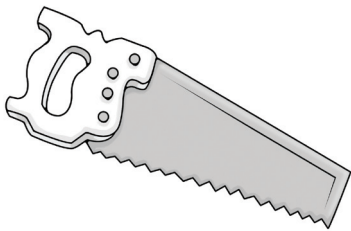
A. WOODWORKING SAFETY

The goal of these projects is to find simple crafts you can accomplish with a handheld saw, a drill, hammer, nails, and a screwdriver.

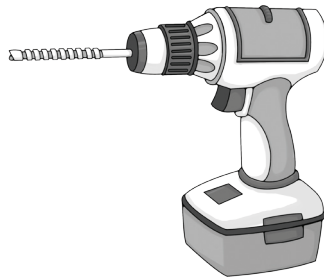
Key Equipment (Identify 6.)

Identify the following equipment below. Feel free to use other tools with your parent or guardian to add to your project if available.

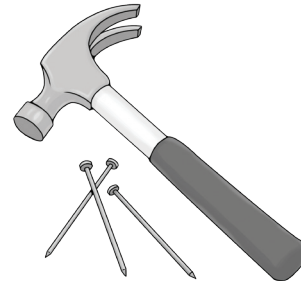
Handsaw



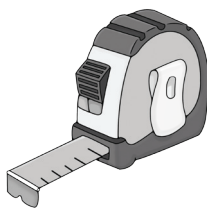
Drill



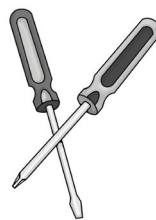
Hammer/Nails



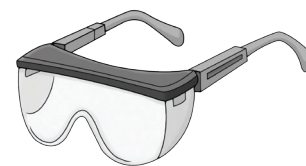
Tape Measure



Screwdriver



Protective Eyewear



Safety Tips

When using any tools, you need adult supervision to operate.

- Handsaw Safety:** For working a handsaw, you will use push and pull strokes. Stand perpendicular to the cut you will make, and hold the board securely. Place the end you will cut off to hang from the table. Make a groove cut to start. Feel free to ask an adult for help, or take breaks if your arm becomes tired.
- Hammering Safety:** First tap the nail in lightly to position so it stands on its own. Then grip the hammer at the end of the handle and raise high. Swing the hammer, not too hard but with force (let the hammer's weight do the work) and drive the nail home. Watch those fingers!
- Eye Protection:** Wear protective eye covering to protect from flying shards of wood.

B. WOODWORKING CHALLENGE

Option 1—String Art*

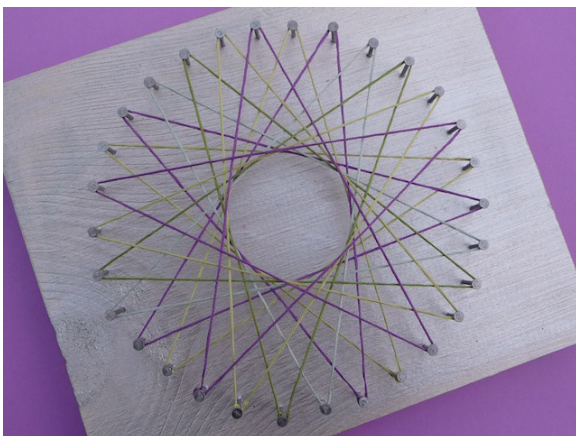
NOTE: This is a great starter project that allows for practicing basic skills such as measuring, using a handsaw, and using a hammer and nails.

Supplies

- | | | |
|--------------------------------------|--|---|
| <input type="checkbox"/> wood scraps | <input type="checkbox"/> ruler or tape measure | <input type="checkbox"/> pencil compass |
| <input type="checkbox"/> handsaw | <input type="checkbox"/> hammer | <input type="checkbox"/> galvanized nails |
| <input type="checkbox"/> nails | <input type="checkbox"/> pencils | <input type="checkbox"/> yarn/string |

Carpentry Steps

1. Find a piece of wood you like. It could be scrap wood, old fence wood, new wood, etc. Make sure it is at least 1' x 1' for the best results.
2. If necessary, cut the board into the desired shape such as a square or rectangle. Measure and draw the line you want to cut and use a handsaw to cut your board.
3. Choose a shape to create with nails on the board: a circle, square, "V," a word, or an outline of a shape (a heart, your state or country, a star, etc.).
4. Use a pencil to draw the shape on your board. For a circle, you can use a compass; for words or a heart, use a cutout or stencil; for a square or rectangle use a ruler and square tool.
5. On the pencil line, draw dot intervals to space your nails out evenly along the line. This is key with a geometric shape. Space the dots out every 1/2 inch or inch. A more free-form shape can be estimated.
6. Grab the hammer and galvanized nails. The nails should have a lipped head so that the strings will hold well. Hammer in the nails on the interval dots you marked.
7. Use thin string or twine and tie your string to the first nail of the line, or on a circle, anywhere you like! Make sure the string is pulled tight as you wrap.
8. Research the following stringing patterns: stringartfun.com; stringartdiy.com; e-scoutcraft.com/string/circle; mathcats.com/crafts/stringart
9. When finished, tie the string and cut the excess.



SAFETY TIP: Due to safety concerns do not complete any project without adult supervision.

* Adapted from *Kid's Building Workshop*

Option 2—Wooden Car or Ship

Note: Beginner’s woodworking kits can be found at craft or home project stores. You can find kits such as “Project Race Car”, “Project Pirate Ship” or “Project School Bus Kit.”

- project kit
- recommended tools (see kit)
- nails
- hammer
- screwdriver
- drill (optional)

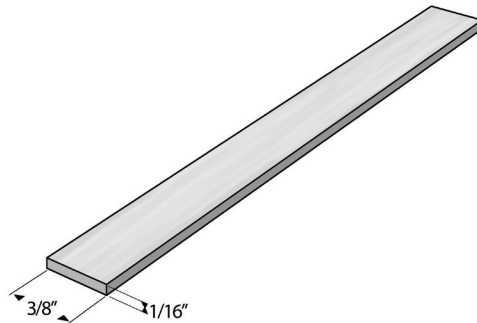
Follow directions on project instructions to complete.

Option 3—Pallet Coasters*

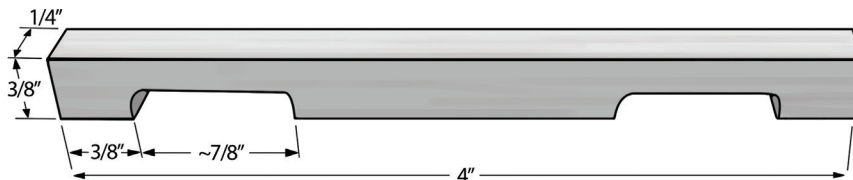
- scrap wood (1/8" - 1/16" thick x 3 1/2" long)
- glue (hot glue, wood, or white)
- handsaw

Carpentry Steps

1. Find thin scrap wood that you can easily cut into small boards.
2. Cut eight to nine 3 1/2" long pieces for the slats of your “pallet” using a small saw.

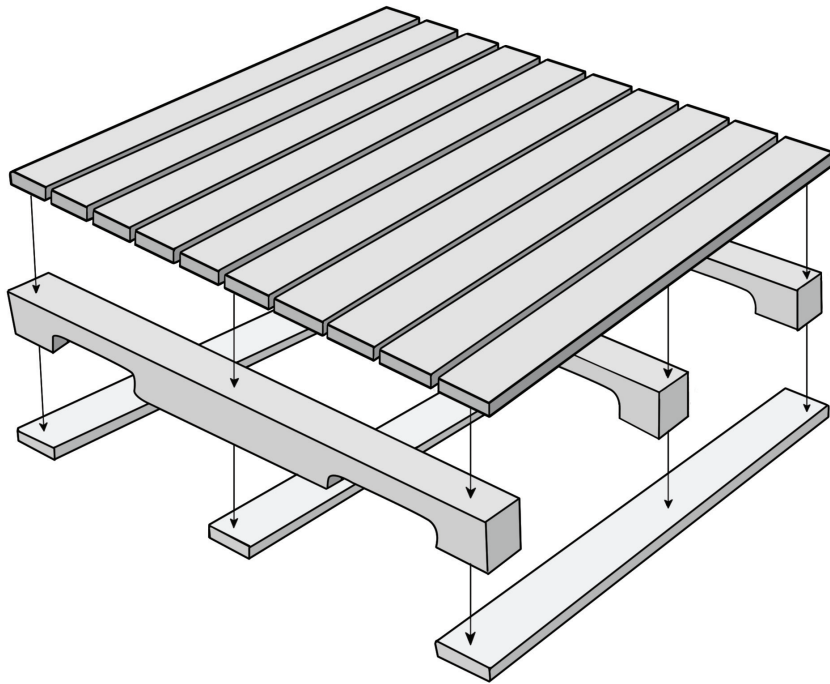


3. Cut your cross pieces, 4" long (three total). If you have a router to make curves in your piece of wood, feel free to do so. If not, just leave them straight.



SAFETY TIP: Due to safety concerns do not complete any project without adult supervision.

4. Assemble using hot glue, wood glue, or regular white school glue (see diagram below). Repeat the process to make several coasters (make a set of 3-4 for a gift!).



**Adapted from "Pallet Coasters" Wood Working for Mere Mortals*

SAFETY TIP: Due to safety concerns do not complete any project without adult supervision.

RESEARCH MORE

- Visit woodworking.formeremortals.net for free plans and videos to learn how to make projects.
- *The Kid's Building Workshop* by J. Craig & Barbara Robertson
- *Woodworking for Kids* by Kevin McGuire

*My child has successfully completed the Project Goals for the topic—**Woodworking**.*

Adult Signature: _____ Date: _____

(Complete SIX projects to earn your HOBBIES award)