

Coolant Filter Housing Kit

332510B

EN

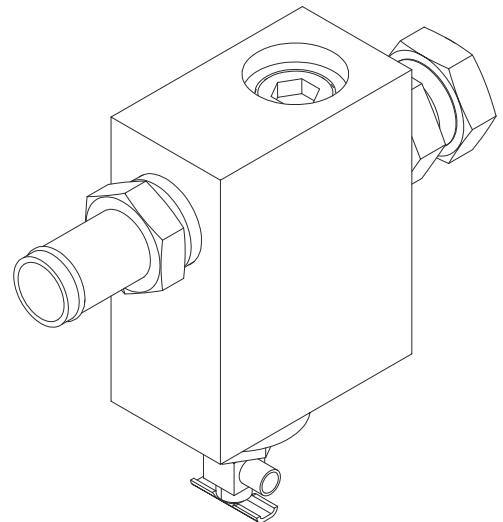
To replace the sight glass filter on Reactor[®] E-30i and E-XP2i Proportioners.
For professional use only.

Kit No. 24T027






Important Safety Instructions

Read all warnings and instructions in this manual and in the Reactor E-30i and E-XP2i Repair-Parts manual. Save all instructions.



ti21549a

Installation

						
To avoid burns, do not perform maintenance on the coolant system until the coolant system has reached ambient temperature.						

Remove Filter

1. **Shutdown.** See Reactor system manual for instructions.
2. **Drain Coolant From Proportioner Coolant Loop.** See Reactor system manual for instructions.
3. Remove filter (F) from sight glass (S).
 - a. Loosen hose clamp (C) and pull coolant hose (H) off of elbow (E).
 - b. Remove elbow fitting (E).
 - c. Pull out and discard the filter (F) and washers (W). Brush out sight glass (S).
4. Connect sight glass (S), elbow (E), and coolant hose (H).

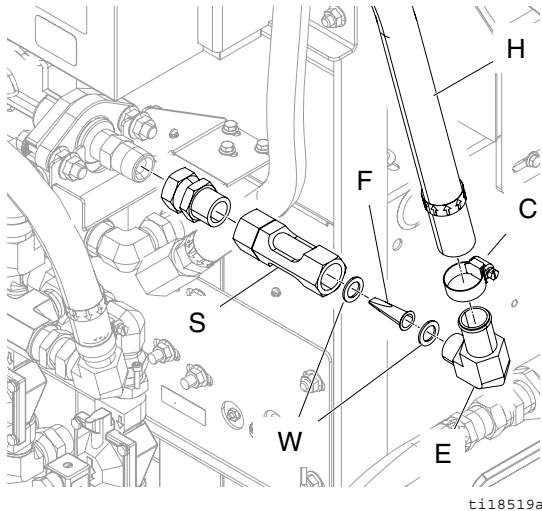


Fig. 1: Sight Glass Filter

NOTE: To prevent an air pocket from forming inside the coolant lines between the proportioner and generator, ensure there is a constant rise in elevation. Ensure elbow fitting is turned 55°. Failure to have a constant rise in elevation will reduce heating efficiency.

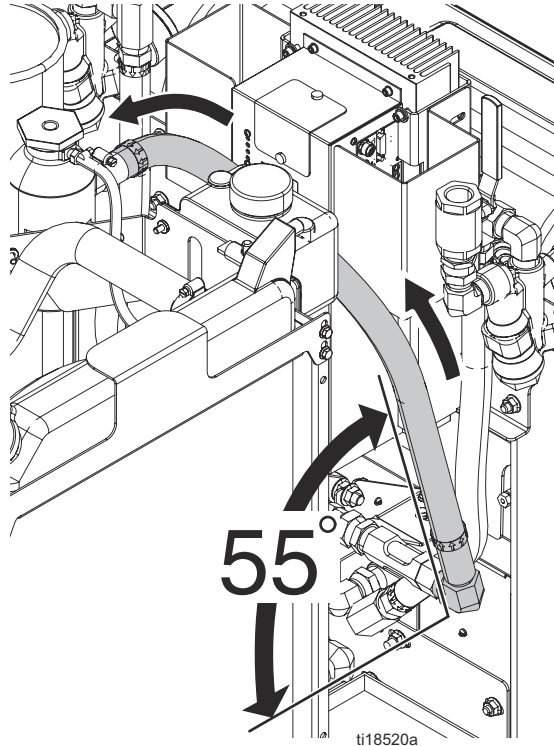


Fig. 2: Coolant Hose

Install Filter Housing

1. Remove hose clamps (C) and coolant hose (H) between proportioner coolant loop fill bottle and the heat exchanger. Do not discard hose clamps.

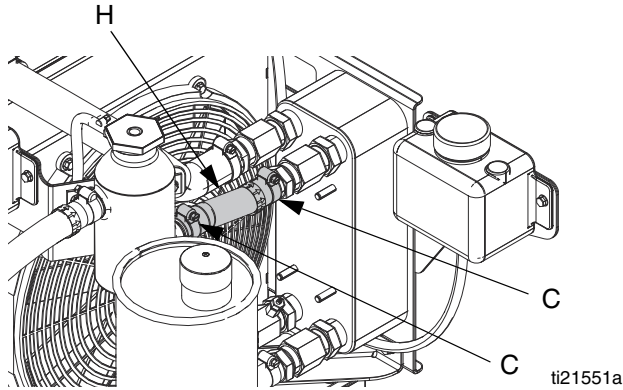


FIG. 3: Coolant Hose and Clamps

2. Remove two screws (S) and proportioner coolant fill bottle (B).

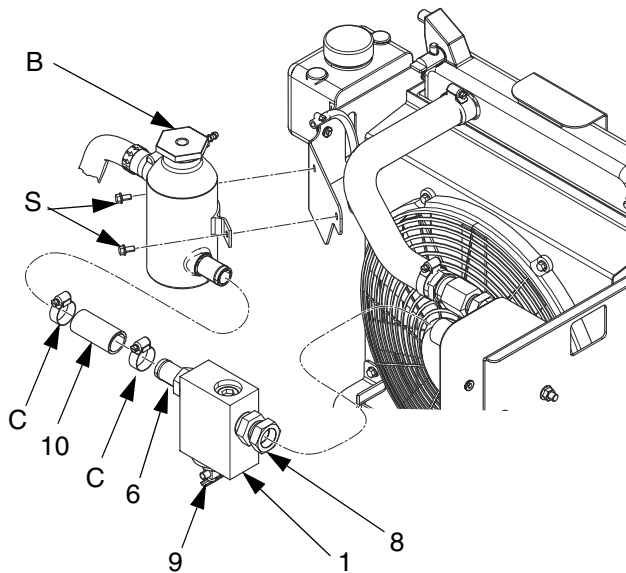
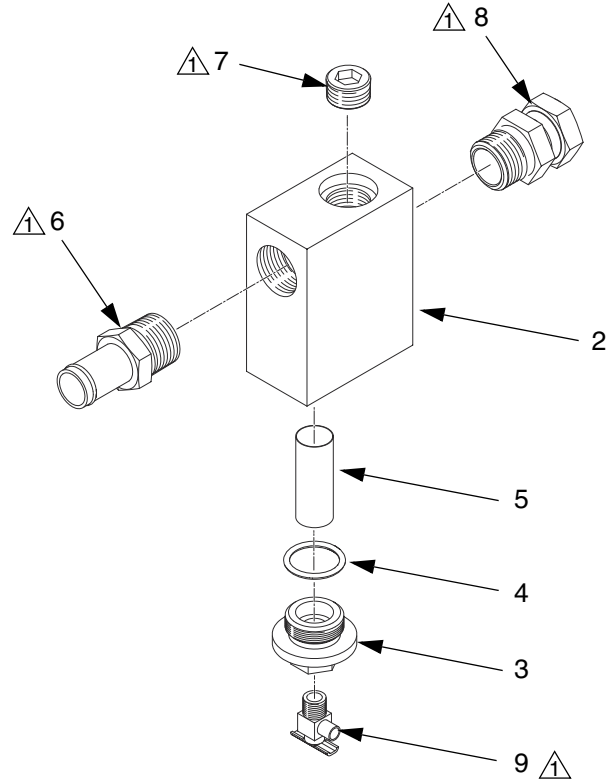


FIG. 4: Filter Housing Kit

3. Connect outlet fitting (8) to heat exchanger.
4. Slide coolant hose (10) on fitting (6) and proportioner coolant fill bottle. Secure coolant hose (10) with hose clamps (C).
5. Reattach coolant fill bottle (B) with screws (S).
6. Slide drain hose (11) on drain valve (9) and secure to system frame with cable tie (12).
7. **Refill Proportioner Coolant Loop.** See Reactor system manual for instructions and coolant specifications.

Parts

24T027 Coolant Filter Housing Kit



⚠ Apply thread sealant to all non-swiveling pipe threads.

Ref.	Part	Description	Qty.
1	24T026	HOUSING, filter, assembly: includes items 2-9	1
2	16V813	HOUSING, filter	1
3	16V879	CAP, filter	1
4	C20203	PACKING, o-ring, fluoroelastomer	1
5	16V920	STRAINER, 40 mesh	1
6	125139	FITTING, barb, 1 in. npt x 1 in. beaded hose barb	1
7	---	PLUG, pipe headless	1
8	160022	FITTING, union, adapter	1
9	125518	VALVE, drain, 90°	1
10	16W156	HOSE, coolant, 1 in. ID; not shown	1
11	16W155	HOSE, rubber, 5/16 in. ID; 1.5 ft (0.5 m), not shown	1
12	C38321	TIE, cable	1

--- Not for sale.

Graco Standard Warranty

Graco warrants all equipment referenced in this document which is manufactured by Graco and bearing its name to be free from defects in material and workmanship on the date of sale to the original purchaser for use. With the exception of any special, extended, or limited warranty published by Graco, Graco will, for a period of twelve months from the date of sale, repair or replace any part of the equipment determined by Graco to be defective. This warranty applies only when the equipment is installed, operated and maintained in accordance with Graco's written recommendations.

This warranty does not cover, and Graco shall not be liable for general wear and tear, or any malfunction, damage or wear caused by faulty installation, misapplication, abrasion, corrosion, inadequate or improper maintenance, negligence, accident, tampering, or substitution of non-Graco component parts. Nor shall Graco be liable for malfunction, damage or wear caused by the incompatibility of Graco equipment with structures, accessories, equipment or materials not supplied by Graco, or the improper design, manufacture, installation, operation or maintenance of structures, accessories, equipment or materials not supplied by Graco.

This warranty is conditioned upon the prepaid return of the equipment claimed to be defective to an authorized Graco distributor for verification of the claimed defect. If the claimed defect is verified, Graco will repair or replace free of charge any defective parts. The equipment will be returned to the original purchaser transportation prepaid. If inspection of the equipment does not disclose any defect in material or workmanship, repairs will be made at a reasonable charge, which charges may include the costs of parts, labor, and transportation.

THIS WARRANTY IS EXCLUSIVE, AND IS IN LIEU OF ANY OTHER WARRANTIES, EXPRESS OR IMPLIED, INCLUDING BUT NOT LIMITED TO WARRANTY OF MERCHANTABILITY OR WARRANTY OF FITNESS FOR A PARTICULAR PURPOSE.

Graco's sole obligation and buyer's sole remedy for any breach of warranty shall be as set forth above. The buyer agrees that no other remedy (including, but not limited to, incidental or consequential damages for lost profits, lost sales, injury to person or property, or any other incidental or consequential loss) shall be available. Any action for breach of warranty must be brought within two (2) years of the date of sale.

GRACO MAKES NO WARRANTY, AND DISCLAIMS ALL IMPLIED WARRANTIES OF MERCHANTABILITY AND FITNESS FOR A PARTICULAR PURPOSE, IN CONNECTION WITH ACCESSORIES, EQUIPMENT, MATERIALS OR COMPONENTS SOLD BUT NOT MANUFACTURED BY GRACO. These items sold, but not manufactured by Graco (such as electric motors, switches, hose, etc.), are subject to the warranty, if any, of their manufacturer. Graco will provide purchaser with reasonable assistance in making any claim for breach of these warranties.

In no event will Graco be liable for indirect, incidental, special or consequential damages resulting from Graco supplying equipment hereunder, or the furnishing, performance, or use of any products or other goods sold hereto, whether due to a breach of contract, breach of warranty, the negligence of Graco, or otherwise.

FOR GRACO CANADA CUSTOMERS

The Parties acknowledge that they have required that the present document, as well as all documents, notices and legal proceedings entered into, given or instituted pursuant hereto or relating directly or indirectly hereto, be drawn up in English. Les parties reconnaissent avoir convenu que la rédaction du présente document sera en Anglais, ainsi que tous documents, avis et procédures judiciaires exécutés, donnés ou intentés, à la suite de ou en rapport, directement ou indirectement, avec les procédures concernées.

Graco Information

For the latest information about Graco products, visit www.graco.com.

TO PLACE AN ORDER, contact your Graco distributor or call to identify the nearest distributor.

Phone: 612-623-6921 **or Toll Free:** 1-800-328-0211 **Fax:** 612-378-3505

*All written and visual data contained in this document reflects the latest product information available at the time of publication.
Graco reserves the right to make changes at any time without notice.*

For patent information, see www.graco.com/patents.

Original instructions. This manual contains English. MM 332510

Graco Headquarters: Minneapolis
International Offices: Belgium, China, Japan, Korea

GRACO INC. AND SUBSIDIARIES • P.O. BOX 1441 • MINNEAPOLIS MN 55440-1441 • USA

Copyright 2013, Graco Inc. All Graco manufacturing locations are registered to ISO 9001.

www.graco.com
Revised July 2013