

# D SERIES 4 WHEEL T-3 TOTE



## Most Versatile Tote!

The T-3 Tote is the most versatile tote we make. With its 30 gallon tank, this tote makes filtering, transferring, and topping off reservoirs a breeze. It can fill itself, be used as an off-line filter for cleaning different reservoirs, and to pump oil into various containers. This tote has all the power needed for filtering oil viscosities up to 600cSt (ISO VG 680) at 100F within ambient temperature ranges of -15F to 150F. All Y2K products are 100% customizable upon request.

## Typical Applications

- Filtering contaminated systems
- Flushing new or repaired systems
- Pre-filtering new oil
- Transferring oils
- Topping off reservoirs or containers
- Dispensing new oil

# ForFluids.com

# D SERIES 4 WHEEL T-3 TOTE

Don't see the options you need?  
Contact For Fluids at 1(630) 922-5020  
for more information.

## Performance:

For filtering mineral and synthetic based oils (hydraulic oils, gear oils and turbine oils) with a maximum operating viscosity range of ISO VG 680 (3000ssu/648cSt) at 100 °F within ambient temperature ranges of -15 °F to 150 °F.

## Standard Features:

### Materials:

- Frame: Carbon steel, 30 gallon tank with 4 wheels
- Paint: Industrial powder coat; various colors available
- Motor: 1HP, 115vac, 60Hz or Pneumatic
- Filter Heads: Medium pressure, cast aluminum heads
- Pump: Heavy duty, cast steel gear pump. Available in 1, 2, 5 and 10 GPM
- Connections: Various quick connect options available
- Hoses: 7ft. Clear PVC, steel reinforced hose or hydraulic hose
- Power Switch: Sealed On/Off Power Switch
- Desiccant Breather included

### Filter Indicators:

- Slide bar indicator triggers at 50psid when elements need to be changed.

### Pump Relief:

- Opens at 150psi

### Weight:

- Approx. 125lbs (will vary depending on options)

### Dimensions:

- Approx. 31"L x 23"W x 47"H

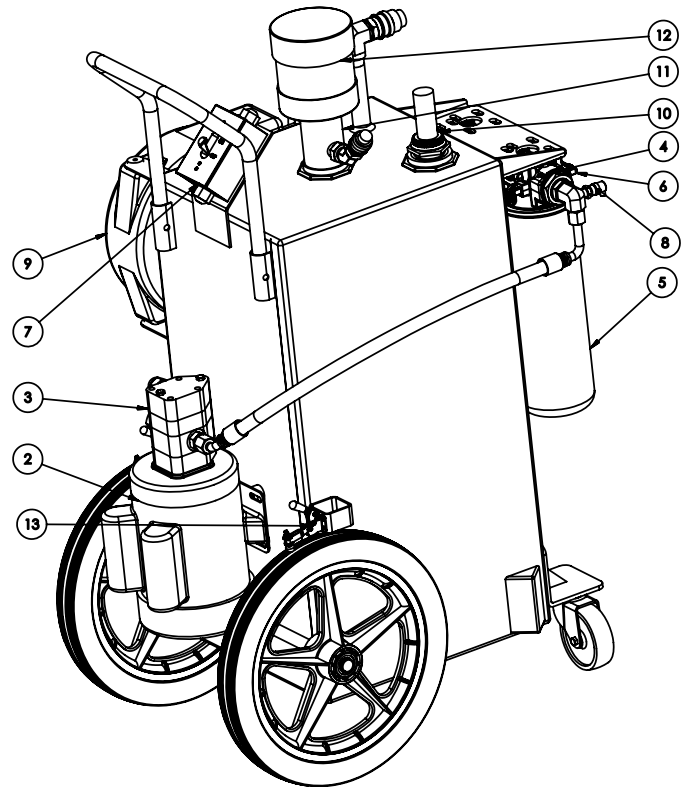
## Replacement Elements:

Part Number	BETA Rating	Desired Cleanliness Level (ISO Code)
P1066	$\beta_{4(c)}=2000$	14/12/9 - 13/11/8
P1065	$\beta_{7(c)}=2000$	18/16/13 - 15/13/10
P1063	$\beta_{10(c)}=1000$	19/17/14 - 18/16/13
P1064	$\beta_{25(c)}=2000$	20/18/15 - 19/17/14
P1048WR	Water Removal	

All D Series elements measure 5" x 14".

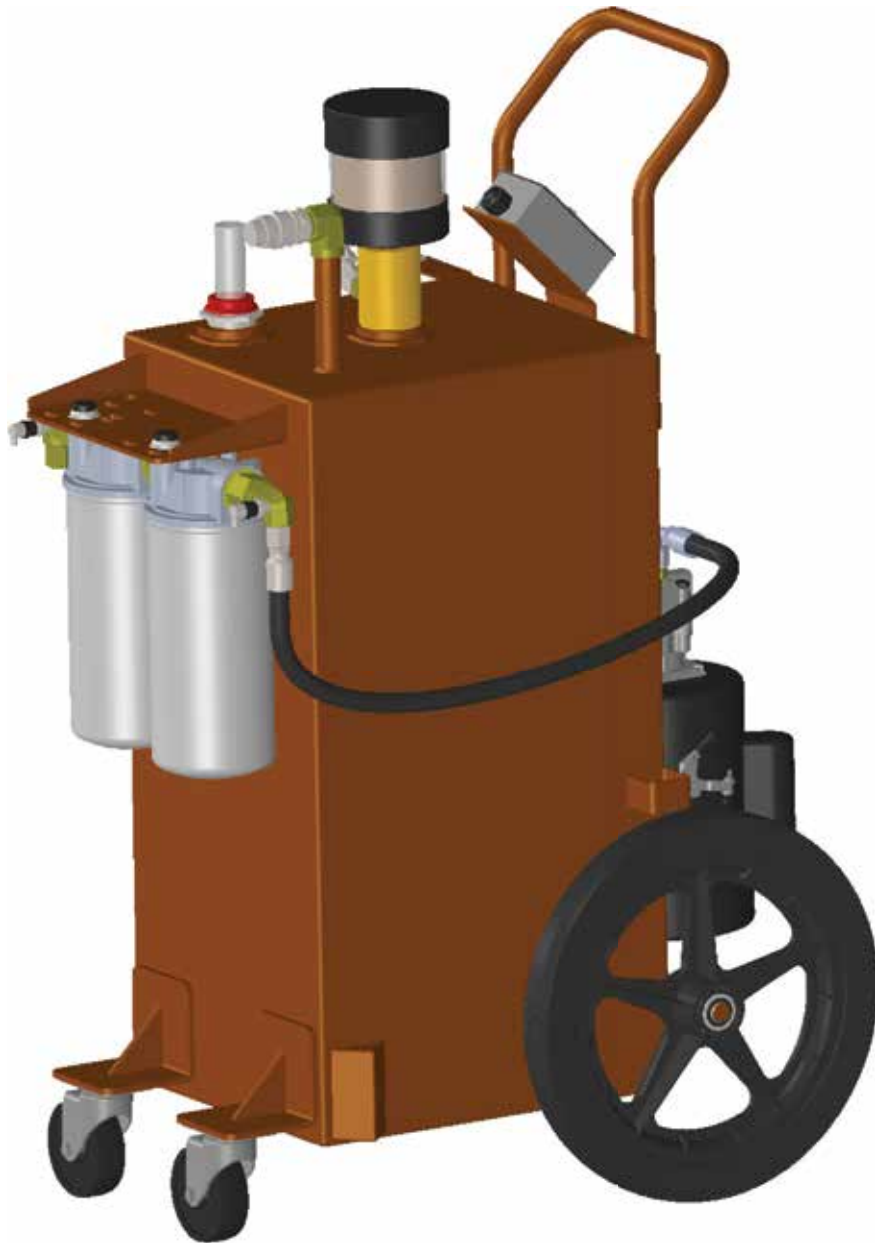
## Components:

Item Number	Description	Qty.
1	Tank	1
2	Motor	1
3	Pump	1
4	Filter Head	2
5	Filter Element	2
6	Filter Indicator	2
7	Switch On/Off	1
8	Sample Port	2
9	Cord Reel	1
10	Sight Gauge	1
11	Breather Adapter	1
12	Breather	1
13	Brake	2



# ForFluids.com

# M SERIES 4 WHEEL T-3 TOTE



## Most Versatile Tote!

The T-3 Tote is the most versatile tote we make. With its 30 gallon tank, this tote makes filtering, transferring, and topping off reservoirs a breeze. It can fill itself, be used as an off-line filter for cleaning different reservoirs, and to pump oil into various containers. This tote has all the power needed for filtering oil viscosities up to 600cSt (ISO VG 680) at 100F within ambient temperature ranges of -15F to 150F. All Y2K products are 100% customizable upon request.

## Typical Applications

- Filtering contaminated systems
- Flushing new or repaired systems
- Pre-filtering new oil
- Transferring oils
- Topping off reservoirs or containers
- Dispensing new oil

# ForFluids.com

# M SERIES 4 WHEEL T-3 TOTE

Don't see the options you need?  
Contact For Fluids at 1(630) 922-5020  
for more information.

## Performance:

For filtering mineral and synthetic based oils (hydraulic oils, gear oils and turbine oils) with a maximum operating viscosity range of ISO VG 680 (3000ssu/648cSt) at 100 °F within ambient temperature ranges of -15 °F to 150 °F.

## Standard Features:

### Materials:

- Frame: Carbon steel, 30 gallon tank with 4 wheels
- Paint: Multiple color options available
- Motor: 1HP, 115vac, 60Hz or Pneumatic
- Filter Heads: Low pressure, aluminum heads
- Pump: Aluminum gear pump. Available in 2, 5 and 10 GPM
- Connections: Various quick connect options available
- Hoses: 7ft. Clear PVC, steel reinforced hose or hydraulic hose
- Power Switch: Sealed On/Off Power Switch

### Filter Indicators:

- Pop up indicator triggers at 50psid when elements need to be changed.

### Pump Relief:

- Opens at 150psi

### Weight:

- Approx. 125lbs (will vary depending on options)

### Dimensions:

- Approx. 31"L x 23"W x 47"H

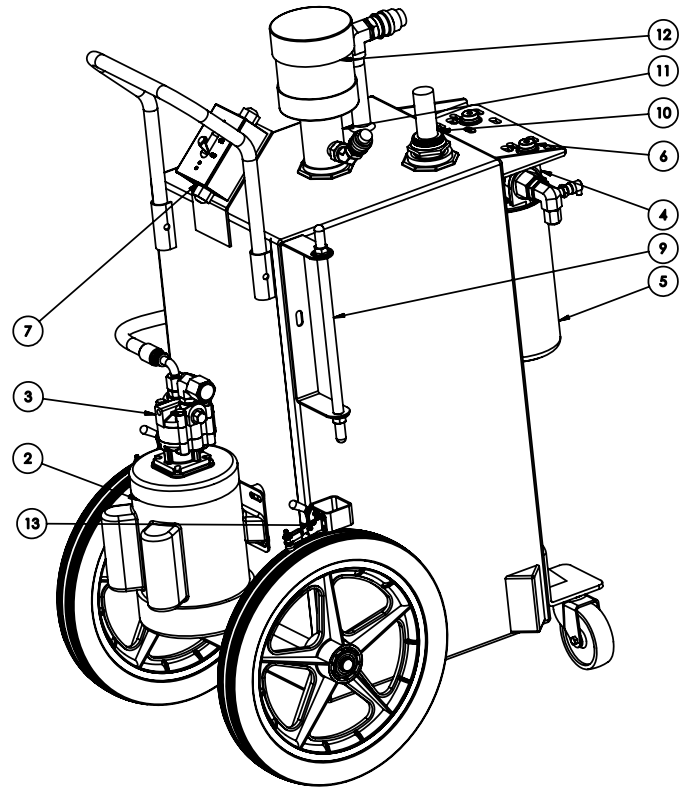
## Replacement Elements:

Part Number	BETA Rating	Desired Cleanliness Level (ISO Code)
P1068	$\beta_{3(c)}=1000$	14/12/9 - 13/11/8
P1069	$\beta_{6(c)}=1000$	17/15/12 - 14/12/9
P1070	$\beta_{10(c)}=1000$	18/16/13 - 17/15/12
P1071	$\beta_{25(c)}=1000$	21/19/16 - 20/18/15
P1072WR	Water Removal	

All M Series elements measure 5" x 10".

## Components:

Item Number	Description	Qty.
1	Tank	1
2	Motor	1
3	Pump	1
4	Filter Head	2
5	Filter Element	2
6	Filter Indicator	2
7	Switch On/Off	1
8	Sample Port	2
9	Cord Wrap Area	1
10	Sight Gauge	1
11	Breather Adapter	1
12	Breather	1
13	Brake	2



# ForFluids.com