

D SERIES PANEL UNIT

Compact and Portable!

When you need to install a permanent, continuous duty solution for your offline filtration, the PU-D Panel Unit is the perfect solution. Available in a variety of sizes, it will suit any space requirement you may have. These filtration systems have all the power needed for filtering oil viscosities up to 600cSt (ISO VG 680) at 100F within ambient temperature ranges of -15F to 150F. All Y2K products are 100% customizable upon request.

Typical Applications

- Filtering contaminated systems
- Collecting oil samples for analysis
- Dispensing new oil
- Permanent installations



ForFluids.com

D SERIES PANEL UNIT

Don't see the options you need?
Contact For Fluids at 1(630) 922-5020
for more information.

Performance:

For filtering mineral and synthetic based oils (hydraulic oils, gear oils and turbine oils) with a maximum operating viscosity range of ISO VG 680 (3000ssu/648cSt) at 100 °F within ambient temperature ranges of -15 °F to 150 °F.

Standard Features:

Materials:

- Frame: Carbon steel with drip tray
- Paint: Multiple color options available
- Motor: 1HP, 115vac, 60Hz or Pneumatic
- Filter Heads: Medium pressure, cast aluminum heads
- Pump: Heavy duty, cast steel gear pump. Available in 1, 2, 5 and 10 GPM

Filter Indicators:

- Slide bar indicator triggers at 50psid when elements need to be changed.

Pump Relief:

- Opens at 150psi

Weight:

- Approx. 75-80lbs (will vary depending on options)

Dimensions:

- Approx. 24"L x 12"W x 29"H

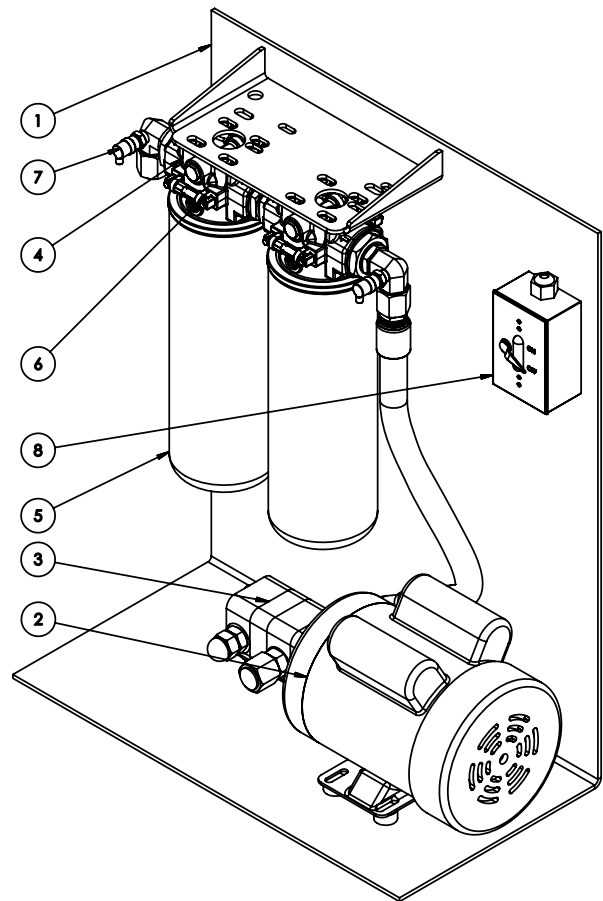
Replacement Elements:

Part Number	BETA Rating	Desired Cleanliness Level (ISO Code)
P1066	$\beta_{4(c)}=2000$	14/12/9 - 13/11/8
P1065	$\beta_{7(c)}=2000$	18/16/13 - 15/13/10
P1063	$\beta_{10(c)}=1000$	19/17/14 - 18/16/13
P1064	$\beta_{25(c)}=2000$	20/18/15 - 19/17/14
P1048WR	Water Removal	

All D Series elements measure 5" x 14".

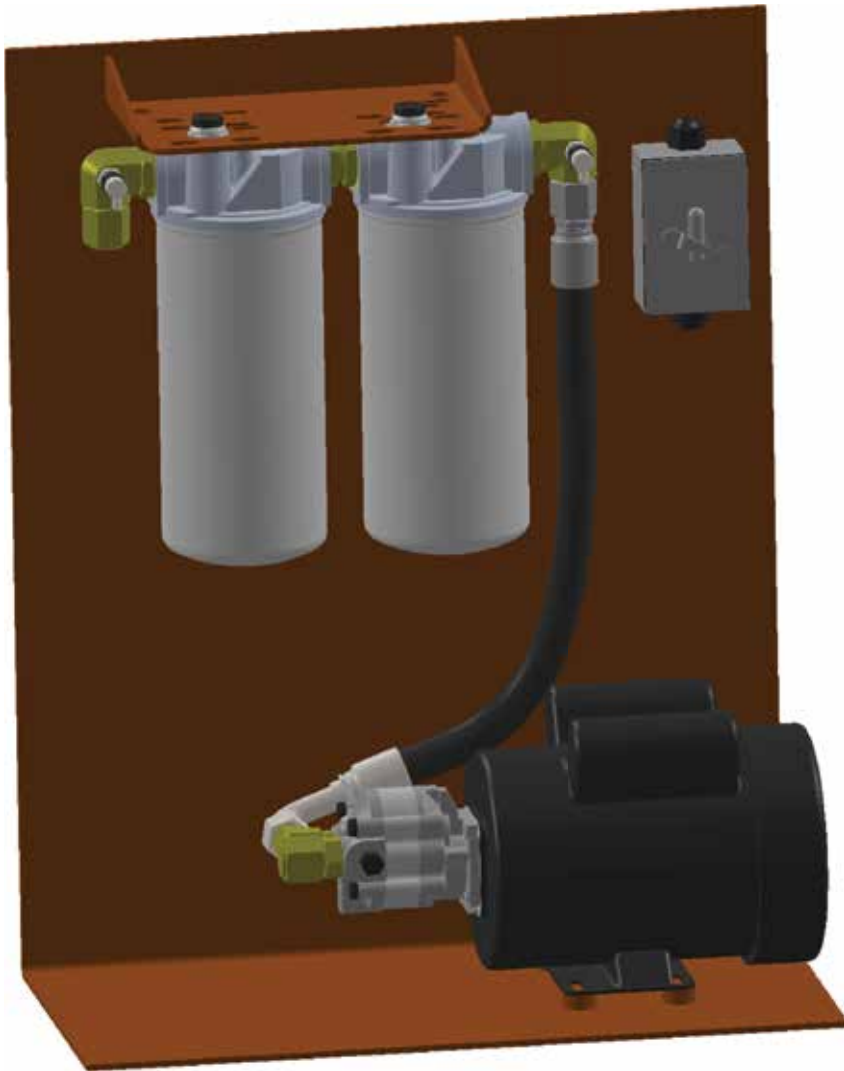
Components:

Item Number	Description	Qty.
1	Large Panel	1
2	Motor	1
3	Pump	1
4	Filter Head	2
5	Filter Element	2
6	Filter Indicator	2
7	Sample Port	2
8	Switch On/Off	1



ForFluids.com

M SERIES PANEL UNIT



Compact and Portable!

When you need to install a permanent, continuous duty solution for your offline filtration, the PU-M Panel Unit is the perfect solution. Available in a variety of sizes, it will suit any space requirement you may have. These filtration systems have all the power needed for filtering oil viscosities up to 600cSt (ISO VG 680) at 100F within ambient temperature ranges of -15F to 150F. All Y2K products are 100% customizable upon request.

Typical Applications

- Filtering contaminated systems
- Collecting oil samples for analysis
- Dispensing new oil

ForFluids.com

M SERIES PANEL UNIT

Don't see the options you need?
Contact For Fluids at 1(630) 922-5020
for more information.

Performance:

For filtering mineral and synthetic based oils (hydraulic oils, gear oils and turbine oils) with a maximum operating viscosity range of ISO VG 680 (3000ssu/648cSt) at 100 °F within ambient temperature ranges of -15 °F to 150 °F.

Standard Features:

Materials:

- Frame: Carbon steel with drip tray
- Paint: Multiple color options available
- Motor: 1HP, 115vac, 60Hz or Pneumatic
- Filter Heads: Low pressure, aluminum heads
- Pump: Aluminum gear pump. Available in 2, 5 and 10 GPM

Filter Indicators:

- Pop up indicator triggers at 50psid when elements need to be changed.

Pump Relief:

- Opens at 150psi

Weight:

- Approx. 75-80lbs (will vary depending on options)

Dimensions:

- Approx. 24"L x 12"W x 18"H

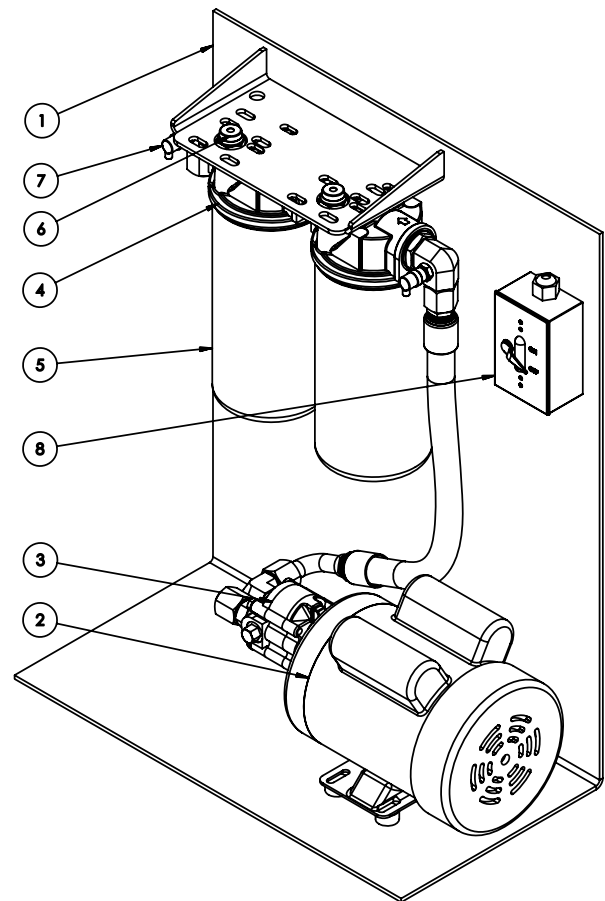
Replacement Elements:

Part Number	BETA Rating	Desired Cleanliness Level (ISO Code)
P1068	$\beta_{3(c)}=1000$	14/12/9 - 13/11/8
P1069	$\beta_{6(c)}=1000$	17/15/12 - 14/12/9
P1070	$\beta_{10(c)}=1000$	18/16/13 - 17/15/12
P1071	$\beta_{25(c)}=1000$	21/19/16 - 20/18/15
P1072WR	Water Removal	

All M Series elements measure 5" x 10".

Components:

Item Number	Description	Qty.
1	Large Panel	1
2	Motor	1
3	Pump	1
4	Filter Head	2
5	Filter Element	2
6	Filter Indicator	2
7	Sample Port	2
8	Switch On/Off	1



ForFluids.com