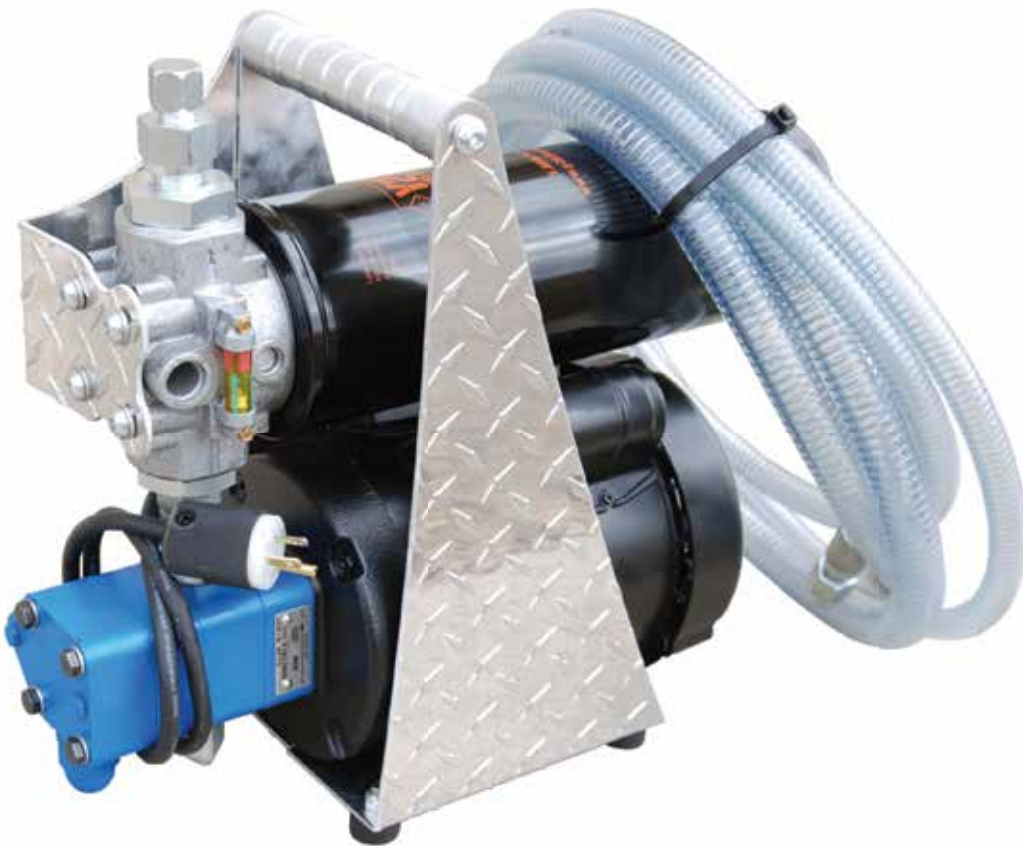


# D SERIES FILTERPAK

## Convenient & Compact!

Perfect for situations with minimal storage space, the FP-D FilterPak combines style and convenience in a compact design that allows the operator to carry it just about anywhere. This powerhouse has the ability to filter oil viscosities up to 600cSt (ISO VG 680) at 100F within ambient temperature ranges of -15F to 150F. All Y2K products are 100% customizable upon request.



## Typical Applications

- Filtering contaminated system
- Flushing new or repaired systems
- Pre-filtering new oil
- Transferring oils
- Topping off reservoirs
- Dispensing new oil

# ForFluids.com

# D SERIES FILTERPAK

Don't see the options you need?  
Contact For Fluids at 1(630) 922-5020  
for more information.

## Performance:

For filtering mineral and synthetic based oils (hydraulic oils, gear oils and turbine oils). This powerhouse has the ability to filter oil viscosities up to 600cSt (ISO VG 680) at 100F within ambient temperature ranges of -15F to 150F.

## Standard Features:

### Materials:

- Frame: Heavy duty, diamond plated aluminum frame
- Motor: 1/4HP, 1/2HP or 1HP, 115vac, 60Hz
- Filter Heads: Medium pressure, cast aluminum heads
- Pump: Heavy duty, cast steel gear pump. Available in 1, 2, 5 and 10 GPM
- Connections: Various quick connect options available
- Hoses: 7ft. Clear PVC, steel reinforced hose or hydraulic hose
- Power Switch: Sealed On/Off Power Switch

### Filter Indicators:

- Slide bar indicator triggers at 50psid when elements need to be changed.

### Pump Relief:

- Opens at 150psi

### Weight:

- Approx. 50lbs (will vary depending on options)

### Dimensions:

- Approx. 8"L x 16"W x 16"H

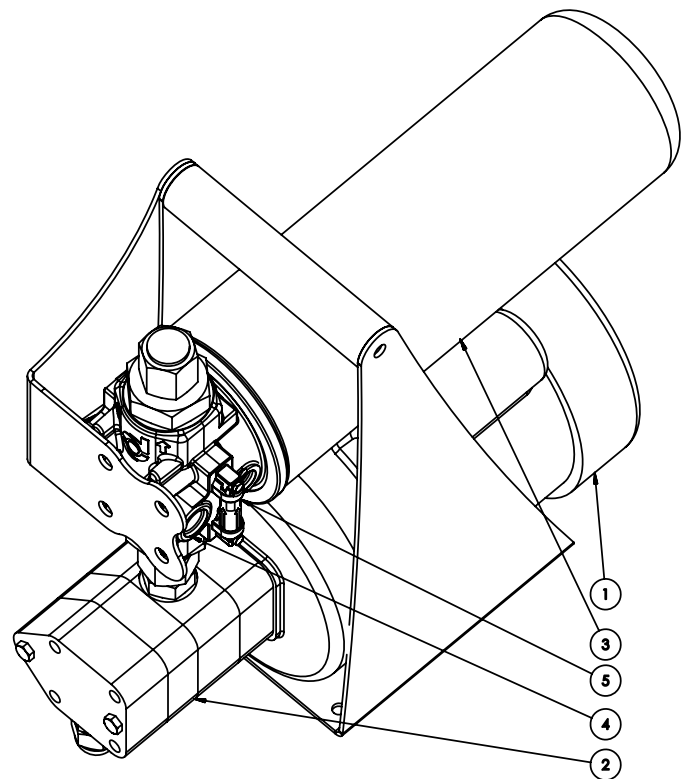
## Replacement Elements:

Part Number	BETA Rating	Desired Cleanliness Level (ISO Code)
P1066	$\beta_{4(c)}=2000$	14/12/9 - 13/11/8
P1065	$\beta_{7(c)}=2000$	18/16/13 - 15/13/10
P1063	$\beta_{10(c)}=1000$	19/17/14 - 18/16/13
P1064	$\beta_{25(c)}=2000$	20/18/15 - 19/17/14
P1048WR	Water Removal	

All D Series elements measure 5" x 14".

## Components:

Item Number	Description	Qty.
1	Motor	1
2	Pump	1
3	Filter Element	1
4	Filter Head	1
5	Filter Indicator	1



# ForFluids.com

# M SERIES FILTERPAK

## Convenient & Compact!

Perfect for situations with minimal storage space, the FP-M FilterPak combines style and convenience in a compact design that allows the operator to carry it just about anywhere. This powerhouse has the ability to filter oil viscosities up to 600cSt (ISO VG 680) at 100F within ambient temperature ranges of -15F to 150F. All Y2K products are 100% customizable upon request.



## Typical Applications

- Filtering contaminated system
- Flushing new or repaired systems
- Pre-filtering new oil
- Transferring oils
- Topping off reservoirs
- Dispensing new oil

# ForFluids.com

# M SERIES FILTEPAK

Don't see the options you need?  
Contact For Fluids at 1(630) 922-5020  
for more information.

## Performance:

For filtering mineral and synthetic based oils (hydraulic oils, gear oils and turbine oils). This powerhouse has the ability to filter oil viscosities up to 600cSt (ISO VG 680) at 100F within ambient temperature ranges of -15F to 150F.

## Standard Features:

### Materials:

- Frame: Heavy duty, diamond plated aluminum frame
- Motor: 1/4HP, 1/2HP or 1HP, 115vac, 60Hz
- Filter Heads: Low pressure, aluminum heads
- Pump: Aluminum gear pump. Available in 2, 5 and 10 GPM
- Connections: Various quick connect options available
- Hoses: 7ft. Clear PVC, steel reinforced hose or hydraulic hose
- Power Switch: Sealed On/Off Power Switch

### Filter Indicators:

- Pop up indicator triggers at 50psid when elements need to be changed.

### Pump Relief:

- Opens at 150psi

### Weight:

- Approx. 50lbs (will vary depending on options)

### Dimensions:

- Approx. 8"L x 16"W x 16"H

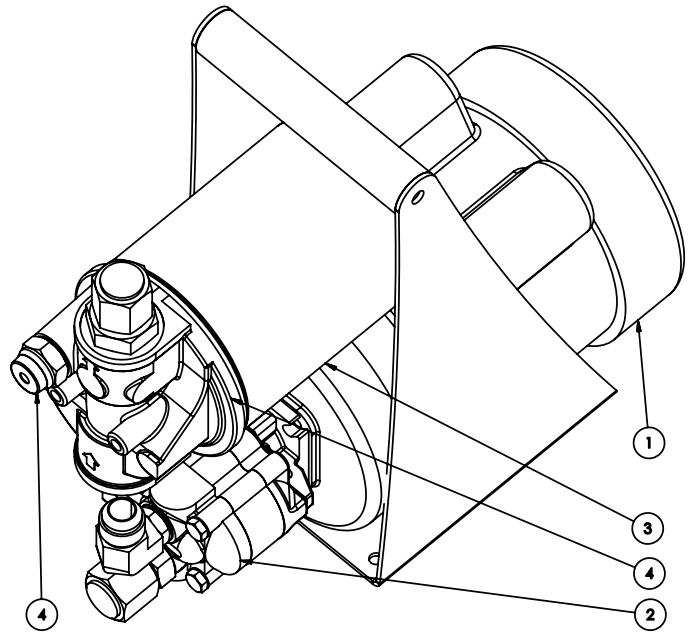
## Replacement Elements:

Part Number	BETA Rating	Desired Cleanliness Level (ISO Code)
P1068	$\beta_{3(c)}=1000$	14/12/9 - 13/11/8
P1069	$\beta_{6(c)}=1000$	17/15/12 - 14/12/9
P1070	$\beta_{10(c)}=1000$	18/16/13 - 17/15/12
P1071	$\beta_{25(c)}=1000$	21/19/16 - 20/18/15
P1072WR	Water Removal	

All M Series elements measure 5" x 10".

## Components:

Item Number	Description	Qty.
1	Motor	1
2	Pump	1
3	Filter Element	1
4	Filter Head	1
5	Filter Indicator	1



# ForFluids.com