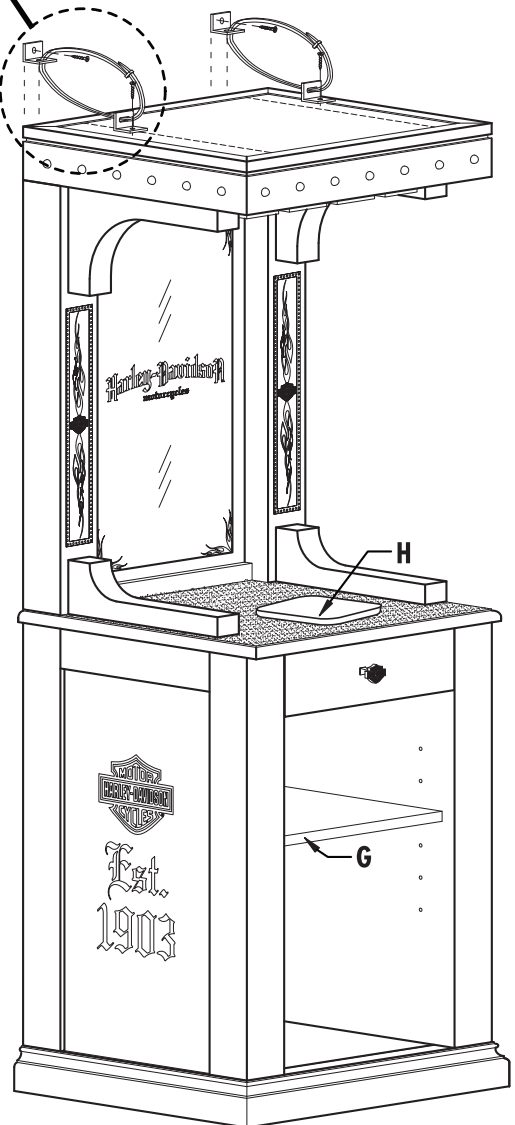
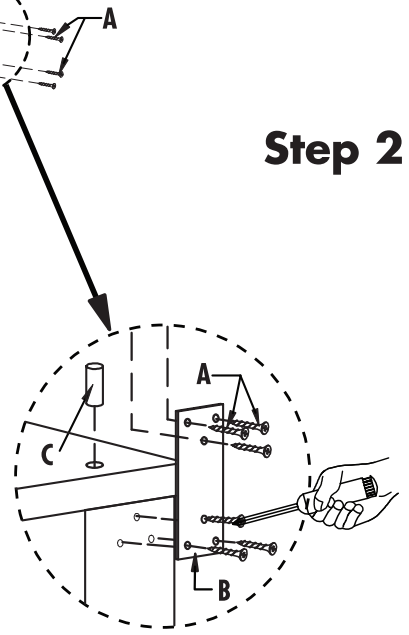
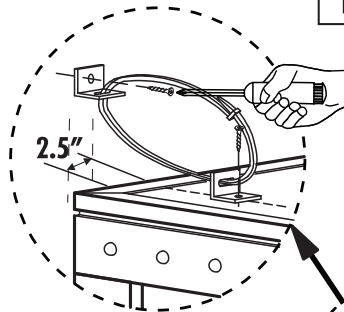
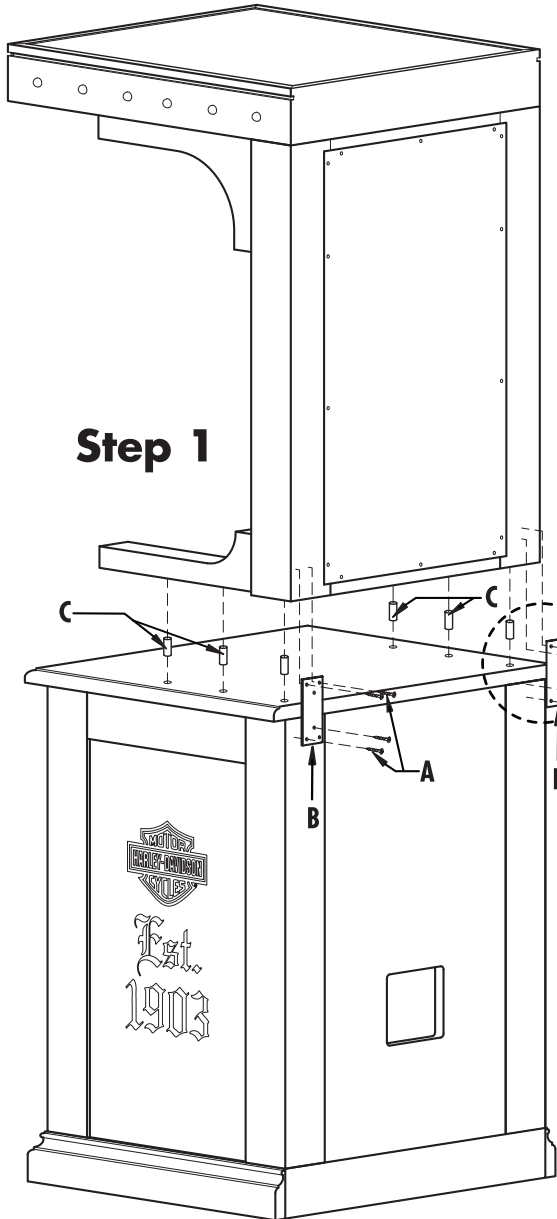


HARLEY-DAVIDSON® WINE CABINET ASSEMBLY INSTRUCTIONS

PARTS LIST		QTY
A	Wine Cabinet Top	1
B	Wine Cabinet Base	1
C	Screws (#8 x 1")	12
D	Metal Plates	2
E	Dowels	6
F	Tip-Over Restraints	2
G	Removable Shelf	1
H	Cutting Board	1



WARRANTY:

Free replacement of any part that fails within 90 days from date of purchase, excluding shipping costs. Void if damaged by misuse, accidents, alterations, failure to follow instructions, fire, flood, and acts of God.

If you have any questions or comments, please contact us at:

BrandedProducts.com



H-D, Harley, Harley-Davidson and the Bar & Shield Logo are among the trademarks of H-D USA, LLC. ©2013. All Rights Reserved. Manufactured by Ace Product Management Group, Inc. under license from Harley-Davidson Motor Company.

Ace Product Management Group, Inc.
Milwaukee, WI U.S.A.